

'Apollo' Valves

SUBMITTAL SHEET

36E Series

Model PRE Pressure Reducing Valve



Job Name:	
Job Location:	
Engineer:	
Contractor:	
Tag:	
PO Number:	
Representative:	
Wholesale Distributor:	



DESCRIPTION

The Apollo® Model PRE (36E Series) Pressure Reducing Valve is designed to conserve water and protect water distribution systems by automatically reducing elevated supply pressures. Ideal for industrial and irrigation applications. The dezincification resistant bronze body and dielectric polymer cage provide maximum corrosion resistance. Designed for easy in-line servicing with simple cartridge removal.

FEATURES

- Balanced Piston Design
- SS Adjusting Screw & Nut
- Sealed Cage for vault installations
- Built-in Thermal Expansion By-Pass
- Large Area Integral Stainless Steel Strainer
- Modular Seat Disc and Strainer Cartridge
- Control Pressure Ranges: 15-75 psi and 75-150 psi
- High flow / high efficiency design
- NPT, Solder, PEX, CPVC, Push & Press connections
- Factory tested and preset at 60 psi
- Single Union, Double Union and Less Union configurations available
- 100% Manufactured in USA – ARRA Compliant

PERFORMANCE RATING

- Maximum Supply Pressure: 400 psig
- Working Temperature Range: 33°F – 180°F

APPROVALS

- ASSE 1003
- CSA B356
- IAPMO/UPC

OPTIONS

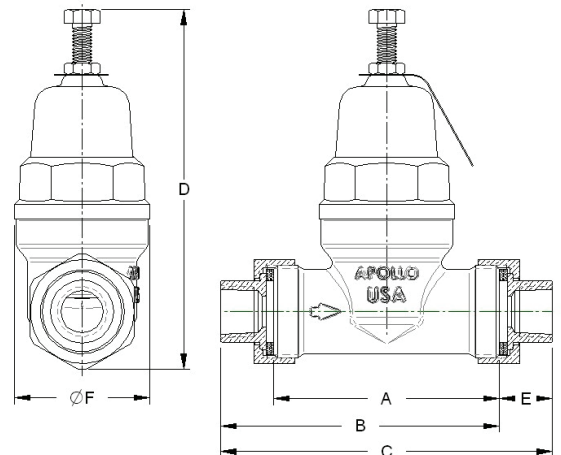
- (B) - Bronze Cap **NEW!**

STANDARD MATERIALS LIST

Part Name	Material
Body	Bronze, ASTM B584
Union Nut	Brass, ASTM B16
Tailpiece	Brass, ASTM B16
Screen	Stainless Steel
Spring Housing	Glass Filled Celcon®
Diaphragm	NSF grade EPDM
Seat Disc	FDA grade EPDM
Adjusting Screw & Nut	Stainless Steel
Spring	Music Wire ASTM A228
Cage Seal	Nitrile
O-Rings	NSF grade EPDM

DIMENSIONS

Connect Type	Size (in.)	Dimensions (in.)						Single Union Wt.	Double Union Wt.
		A	B	C	D	E	F		
THREAD	1/2"	3-5/8	4-1/2	5-3/8	6	5/8	2-3/4	2.4	2.75
SOLDER	1/2"	3-5/8	4-1/2	5-1/2	6	1/2	2-3/4	2.4	2.75
PEX	1/2"	3-5/8	4-1/2	5-1/2	6	5/8	2-3/4	2.4	2.75
CPVC	1/2"	3-5/8	4-1/4	5	6	1/2	2-3/4	2.4	2.75
THREAD	3/4"	3-5/8	4-1/2	5-1/2	6	5/8	2-3/4	2.4	2.75
SOLDER	3/4"	3-5/8	4-1/2	5-1/2	6	3/4	2-3/4	2.4	2.75
PEX	3/4"	3-5/8	4-5/8	5-5/8	6	5/8	2-3/4	2.4	2.75
CPVC	3/4"	3-5/8	4-1/2	5-1/2	6	5/8	2-3/4	2.4	2.75
THREAD	1"	3-5/8	4-5/8	5-3/4	6	5/8	3-3/8	2.4	2.86
SOLDER	1"	3-5/8	4-5/8	5-3/4	6	7/8	3-3/8	2.4	2.86
PEX	1"	3-5/8	4-3/4	6	6	3/4	3-3/8	2.4	2.86
CPVC	1"	3-5/8	4-3/4	6	6	15/16	3-3/8	2.4	2.86



Not approved for potable water in the USA.

Apollo Valves, Manufactured by **Conbraco Industries, Inc.**
701 Matthews Mint-Hill Road, Matthews, NC 28105 USA
www.apollovalves.com | (704) 841-6000

This specification is provided for reference only. Conbraco Industries Inc. reserves the right to change any portion of this specification without notice and without incurring obligation to make such changes to Conbraco products previously or subsequently sold. Please visit our website @ www.apollovalves.com for the most current information.



"Apollo" Valves

SUBMITTAL SHEET

36E Series

Model PRE Pressure Reducing Valve

FLOW CAPACITY

Pipe Size	Fall-Off (PSI)	Pressure Differential (PSI)		
		25	50	75
GPM				
1/2"	10	10	13	16
	15	13	18	22
	20	17	23	29
	30	22	29	36
3/4"	10	16	21	26
	15	20	27	32
	20	24	32	40
	30	29	38	48
1"	10	14	31	37
	15	22	37	42
	20	28	41	46
	30	36	43	50

Pressure Differential is the difference between the inlet supply pressure and the adjusted outlet pressure.

Pressure Falloff is the reduction in downstream pressure from the static (set) pressure as the flow increases through the valve.

PART NUMBER MATRIX

36E -	1	X	X	X	X	X
	STYLE	UNION	SIZE	PRESSURE	CONNECTION	OPTION
36E -Standard	1	0 - No Union (NPT) 1 - Single Union 2 - Double Union	3 - 1/2" 4 - 3/4" 5 - 1"	01 - 15-75 psig 03 - 75-150 psig	T - FNPT Thread S - Solder C - CPVC P - Push X - PEX PR - Press	B - Bronze Cap

Not approved for potable water in the USA.

Apollo Valves, Manufactured by **Conbraco Industries, Inc.**
701 Matthews Mint-Hill Road, Matthews, NC 28105 USA
www.apollovalves.com | (704) 841-6000

This specification is provided for reference only. Conbraco Industries Inc. reserves the right to change any portion of this specification without notice and without incurring obligation to make such changes to Conbraco products previously or subsequently sold. Please visit our website @ www.apollovalves.com for the most current information.

