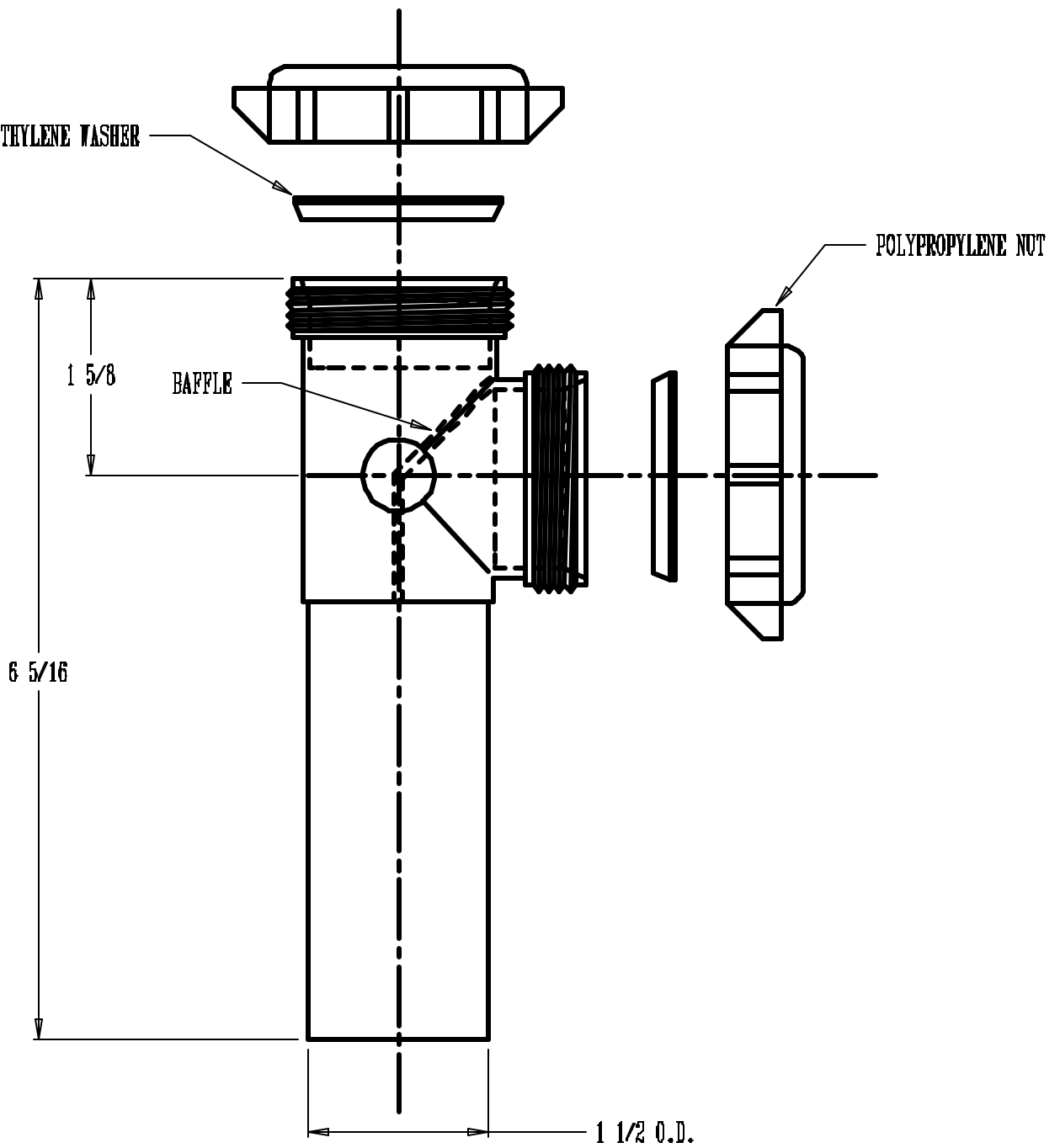


POLYETHYLENE WASHER



NOTES:

1. ALL DIMENSIONS ARE IN INCHES.
2. MATERIAL: WHITE POLYPROPYLENE

THE KEENEY MANUFACTURING COMPANY
NEWINGTON, CT

TITLE-END OUTLET TEE & TLPC W/BAFFLE P/N:125W

DWG BY: M.KURO

DATE: 5/12/05

SCALE: SHOWN