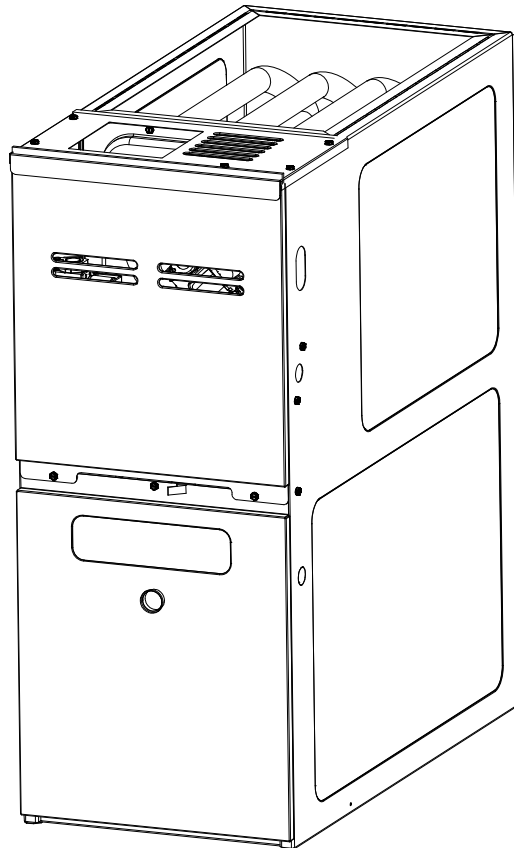


GMH8 80% Upflow Hybrid Furnace

GMH80453ANCA
GMH80453ANCB
GMH80453AXCA
GMH80453AXCB
GMH80703ANCA
GMH80703ANCB
GMH80703AXCA
GMH80703AXCB
GMH80704BNCA
GMH80704BNCB
GMH80704BXCA
GMH80704BXCB
GMH80903BNCA
GMH80903BNCB
GMH80904BNCA
GMH80904BNCB
GMH80904BXCA
GMH80904BXCB
GMH80905CNCA
GMH80905CNCB
GMH80905CXCA
GMH80905CXCB
GMH81155CNCA
GMH81155CNCB
GMH81155CXCA
GMH81155CXCB
GMH81405DNCA
GMH81405DNCB
GMH81405DXCA
GMH81405DXCB



This manual is to be used by qualified technicians only.

This manual replaces RP-542

© 2009-2010 Goodman Manufacturing Company, L.P. ♦ 5151 San Felipe, Suite 500 ♦ Houston, TX 77056

Important Information

Index

Functional Parts List	3
Illustration and Parts	4 - 11

Views shown are for parts illustrations only, not servicing procedures.

Revision A: Added "CB" models with 90° vent motor rotation feature.

Text Codes:

AR - As Required

NA - Not Available

NS - Not Shown

00000000 - See Note

QTY - Quantity Example (QTY 3) (If Quantity not shown, Quantity = 1)

M - Model Example (M1) (If M Code not shown, then part is used on all Models)

Expanded Model Nomenclature:

Example M1 - Model#1 M2 - Model#2 M3 - Model#3

Goodman Manufacturing Company, L.P. is not responsible for personal injury or property damage resulting from improper service. Review all service information before beginning repairs.

Warranty service must be performed by an authorized technician, using authorized factory parts. If service is required after the warranty expires, Goodman Manufacturing Company, L.P. also recommends contacting an authorized technician and using authorized factory parts.

Goodman Manufacturing Company, L.P. reserves the right to discontinue, or change at any time, specifications or designs without notice or without incurring obligations.

For assistance within the U.S.A. contact:
Consumer Affairs Department
Goodman Manufacturing Company, L.P.
7401 Security Way
Houston, Texas 77040
877-254-4729-Telephone
713-863-2382-Facsimile

For assistance outside the U.S.A. contact:
International Division
Goodman Manufacturing Company, L.P.
7401 Security Way
Houston, Texas 77040
713-861-2500-Telephone
713-863-2382-Facsimile

Functional Parts

Part

No: Description:

0131F00022	BLOWER MOTOR 1/2 HP, 4 SP, 6 PL (M9, M10, M11, M12, M15, M16, M17, M18, M19, M20, M21, M22, M23, M24, M25, M26)
0131F00020	BLOWER MOTOR 1/3 HP, 4 SP, 6 PL (M13, M14)
0131F00021	BLOWER MOTOR 1/3HP, 4SP, 6PL (M1, M2, M3, M4, M5, M6, M7, M8)
20046618S	BLOWER MOTOR 3/4 HP (M27, M28, M29, M30)
D6723311S	BLOWER WHEEL (M27, M28, M29, M30)
B1368047A	BLOWER WHEEL 10 X 10 (M19, M20, M21, M22, M23, M24, M25, M26)
B1368034S	BLOWER WHEEL 10 X 6 (M1, M2, M3, M4, M5, M6, M7, M8)
B1368016S	BLOWER WHEEL 10 X 8 (M9, M10, M11, M12, M15, M16, M17, M18)
B1368058S	BLOWER WHEEL 10 X 8 (M13, M14)
CAP125000370RPS	CAPACITOR 12.5/370V (M1, M2, M3, M4, M5, M6, M7, M8, M13, M14)
CAP200000440RPS	CAPACITOR 20/370V (M9, M10, M11, M12, M15, M16, M17, M18, M19, M20, M21, M22, M23, M24, M25, M26)
CAP250000370RPS	CAPACITOR 25/370V (M27, M28, M29, M30)
0130F00010	FLAME SENSOR
0151F00000P	GAS VALVE - WHITE-RODGERS 2-STAGE
PCBBF122S	IGNITION BOARD, HSI INTEGRATED 2-STG
B4022700	INSHOT BURNER ASSY 3" (QTY AR)
B1370818	INTERLOCK SWITCH
10123529	MANUAL RESET LIMIT (QTY 2)
10716003	ORIFICE (QTY AR)
0130F00041	PRESSURE SWITCH (M23, M24, M25, M26)
0130F00042	PRESSURE SWITCH (M27, M28, M29, M30)
B1370179	PRESSURE SWITCH (M9, M10, M11, M12, M13, M14, M15, M16, M17, M18, M19, M20, M21, M22)
B1370158	PRESSURE SWITCH -0.70" WC (M1, M2, M3, M4, M5, M6, M7, M8)
20162903	PRIMARY LIMIT - BLUE (M15, M16, M17, M18, M27, M28, M29, M30)
0130F00038	PRIMARY LIMIT - LT BLUE 120°
0130F00036	PRIMARY LIMIT - PINK (M23, M24, M25, M26)
0130F00035	PRIMARY LIMIT - PURPLE 220° (M1, M2, M3, M4)
20162906	PRIMARY LIMIT - WHITE (M5, M6, M7, M8, M9, M10, M11, M12, M13, M14, M19, M20, M21, M22)
0130F00008S	SINI IGNITOR
B1141605	TRANSFORMER 120V TO 24V, 40 VA
0131M00002S	VENT MOTOR

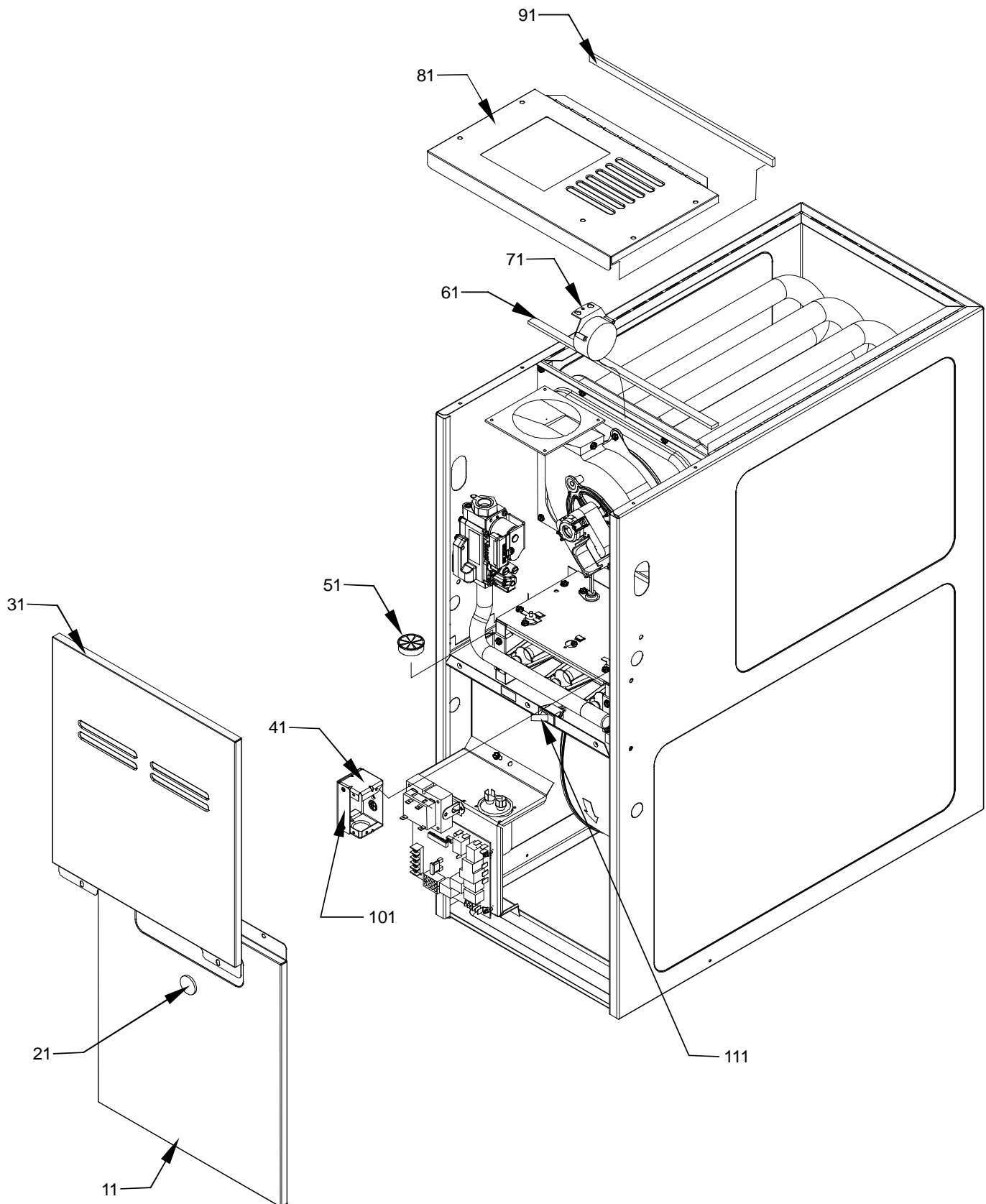
SPECIAL PARTS

0259F00053	12-PIN WIRE HARNESS ASSY
0161F00007	GOODMAN NAMEPLATE
HI-115B	HOMEOWNERS INSTRUCTIONS
0259F00051	IGNITOR WIRE HARNESS ASSY
IO-669	INSTALL-HUMIDIFIER
IO-359D	INSTR, INSTL & OPER
0259F00050	KIT, WIRE HYBRID FURN

Expanded Model Nomenclature

M1 - GMH80453ANCA
M2 - GMH80453ANCB
M3 - GMH80453AXCA
M4 - GMH80453AXCB
M5 - GMH80703ANCA
M6 - GMH80703ANCB
M7 - GMH80703AXCA
M8 - GMH80703AXCB
M9 - GMH80704BNCA
M10 - GMH80704BNCB
M11 - GMH80704BXCA
M12 - GMH80704BXCBC
M13 - GMH80903BNCA
M14 - GMH80903BNCB
M15 - GMH80904BNCA
M16 - GMH80904BNCB
M17 - GMH80904BXCA
M18 - GMH80904BXCBC
M19 - GMH80905CNCA
M20 - GMH80905CNCB
M21 - GMH80905CXCA
M22 - GMH80905CXCB
M23 - GMH81155CNCA
M24 - GMH81155CNCB
M25 - GMH81155CXCA
M26 - GMH81155CXCB
M27 - GMH81405DNCA
M28 - GMH81405DNCB
M29 - GMH81405DXCA
M30 - GMH81405DXCB

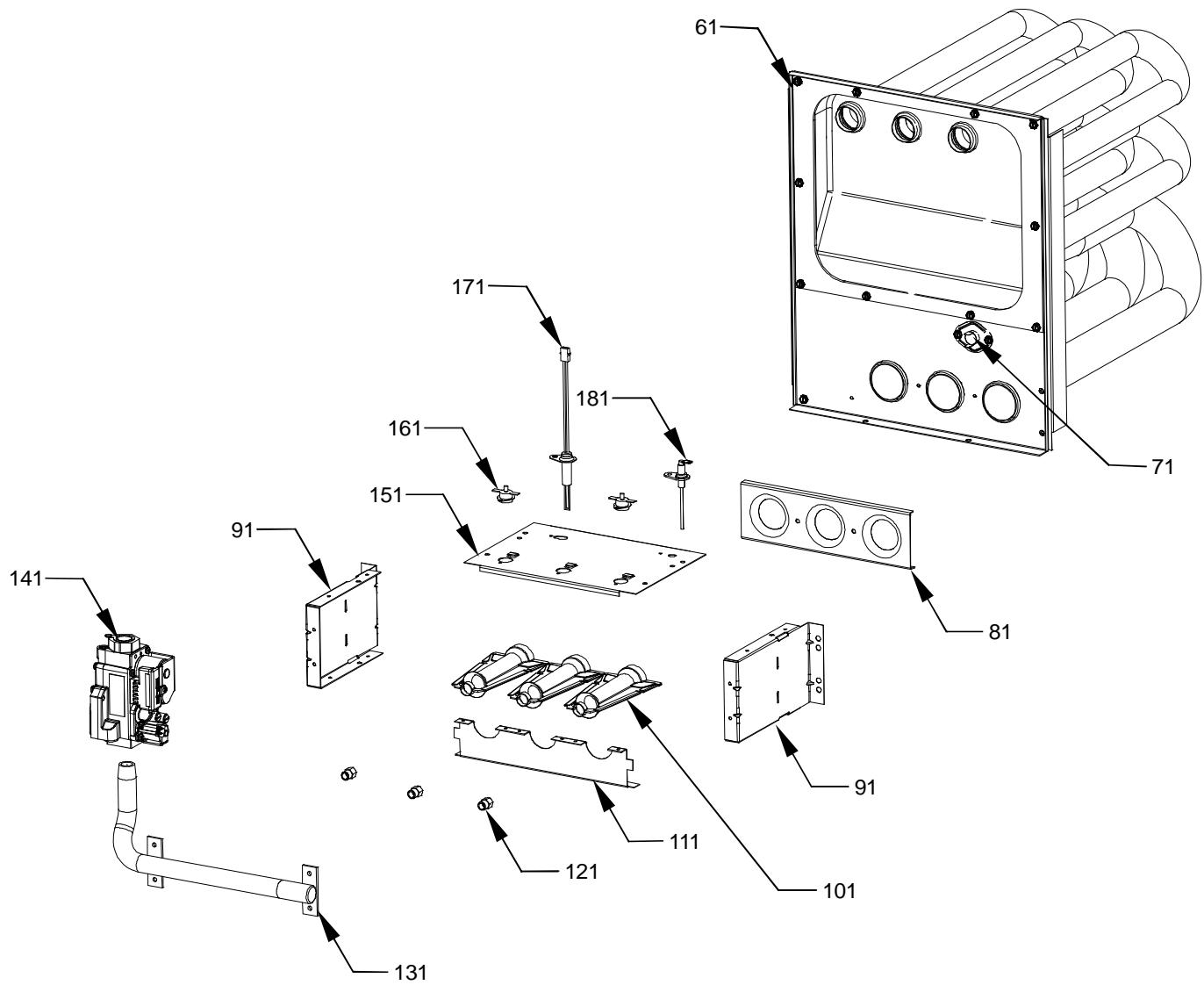
Cabinet



Cabinet

Ref. Part No:	No:	Description:	Ref. Part No:	No:	Description:
<i>Image 1:</i>			<i>Image 1:</i>		
11	0121F00122DGS	BLOWER ACCESS DOOR 14" (M1, M2, M3, M4, M5, M6, M7, M8)	NS	0270K00018	SOLID BOTTOM 24.5' CASE (M27, M28, M29, M30)
11	0121F00123DGS	BLOWER ACCESS DOOR 17.5" (M9, M10, M11, M12, M13, M14, M15, M16, M17, M18)	Expanded Model Nomenclature		
11	0121F00124DGS	BLOWER ACCESS DOOR 21" (M19, M20, M21, M22, M23, M24, M25, M26)	<div style="border: 1px solid black; padding: 5px;"> M1 - GMH80453ANCA M2 - GMH80453ANCB M3 - GMH80453AXCA M4 - GMH80453AXCB M5 - GMH80703ANCA M6 - GMH80703ANCB M7 - GMH80703AXCA M8 - GMH80703AXCB M9 - GMH80704BNCA M10 - GMH80704BNCB M11 - GMH80704BXCA M12 - GMH80704BXCBC M13 - GMH80903BNCA M14 - GMH80903BNCB M15 - GMH80904BNCA M16 - GMH80904BNCB M17 - GMH80904BXCA M18 - GMH80904BXCBC M19 - GMH80905CNCA M20 - GMH80905CNCB M21 - GMH80905CXCA M22 - GMH80905CXCB M23 - GMH81155CNCA M24 - GMH81155CNCB M25 - GMH81155CXCA M26 - GMH81155CXCB M27 - GMH81405DNCA M28 - GMH81405DNCB M29 - GMH81405DXCA M30 - GMH81405DXCB </div>		
11	0121F00125DG	BLOWER ACCESS DOOR 24.5" (M27, M28, M29, M30)			
21	B1392139	VIEW PORT BUSHING-BLOWER DOOR			
31	0121F00118DGS	CONTROL ACCESS DOOR 14" (M1, M2, M3, M4, M5, M6, M7, M8)			
31	0121F00119DGS	CONTROL ACCESS DOOR 17.5" (M9, M10, M11, M12, M13, M14, M15, M16, M17, M18)			
31	0121F00120DGS	CONTROL ACCESS DOOR 21" (M19, M20, M21, M22, M23, M24, M25, M26)			
31	0121F00121DG	CONTROL ACCESS DOOR 24.5" (M27, M28, M29, M30)			
41	4014502	J-BOX			
51	B1392147	UNIVERSAL BUSHING WITH SLICE			
61	B13926111	SEAL STRIP, 1/8 X 1/2 X 14 (M1, M2, M3, M4, M5, M6, M7, M8)			
61	B13926112	SEAL STRIP, 1/8 X 1/2 X 17.5 (M9, M10, M11, M12, M13, M14, M15, M16, M17, M18)			
61	B13926113	SEAL STRIP, 1/8 X 1/2 X 21 (M19, M20, M21, M22, M23, M24, M25, M26)			
61	B13926114	SEAL STRIP, 1/8 X 1/2 X 24.5 (M27, M28, M29, M30)			
71	0130F00041	PRESSURE SWITCH (M23, M24, M25, M26)			
71	0130F00042	PRESSURE SWITCH (M27, M28, M29, M30)			
71	B1370179	PRESSURE SWITCH (M9, M10, M11, M12, M13, M14, M15, M16, M17, M18, M19, M20, M21, M22)			
71	B1370158	PRESSURE SWITCH -0.70" WC (M1, M2, M3, M4, M5, M6, M7, M8)			
81	0121F00141DG	TOP 14" (M1, M2, M3, M4, M5, M6, M7, M8)			
81	0121F00142DG	TOP 17.5" (M9, M10, M11, M12, M13, M14, M15, M16, M17, M18)			
81	0121F00143DG	TOP 21" (M19, M20, M21, M22, M23, M24, M25, M26)			
81	0121F00144DG	TOP 24.5" (M27, M28, M29, M30)			
91	B13926111	SEAL STRIP, 1/8 X 1/2 X 14			
101	4015502	J-BOX COVER			
111	B1370818	INTERLOCK SWITCH			
NS	0259F00053	12-PIN WIRE HARNESS ASSY			
NS	0161F00007	GOODMAN NAMEPLATE			
NS	0259F00051	IGNITOR WIRE HARNESS ASSY			
NS	0259F00050	KIT, WIRE HYBRID FURN			
NS	A3468601	PRESSURE SWITCH HOSE			
NS	0270K00015	SOLID BOTTOM 14" CASE (M1, M2, M3, M4, M5, M6, M7, M8)			
NS	0270K00016	SOLID BOTTOM 17.5" CASE (M9, M10, M11, M12, M13, M14, M15, M16, M17, M18)			
NS	0270K00017	SOLID BOTTOM 21" CASE (M19, M20, M21, M22, M23, M24, M25, M26)			

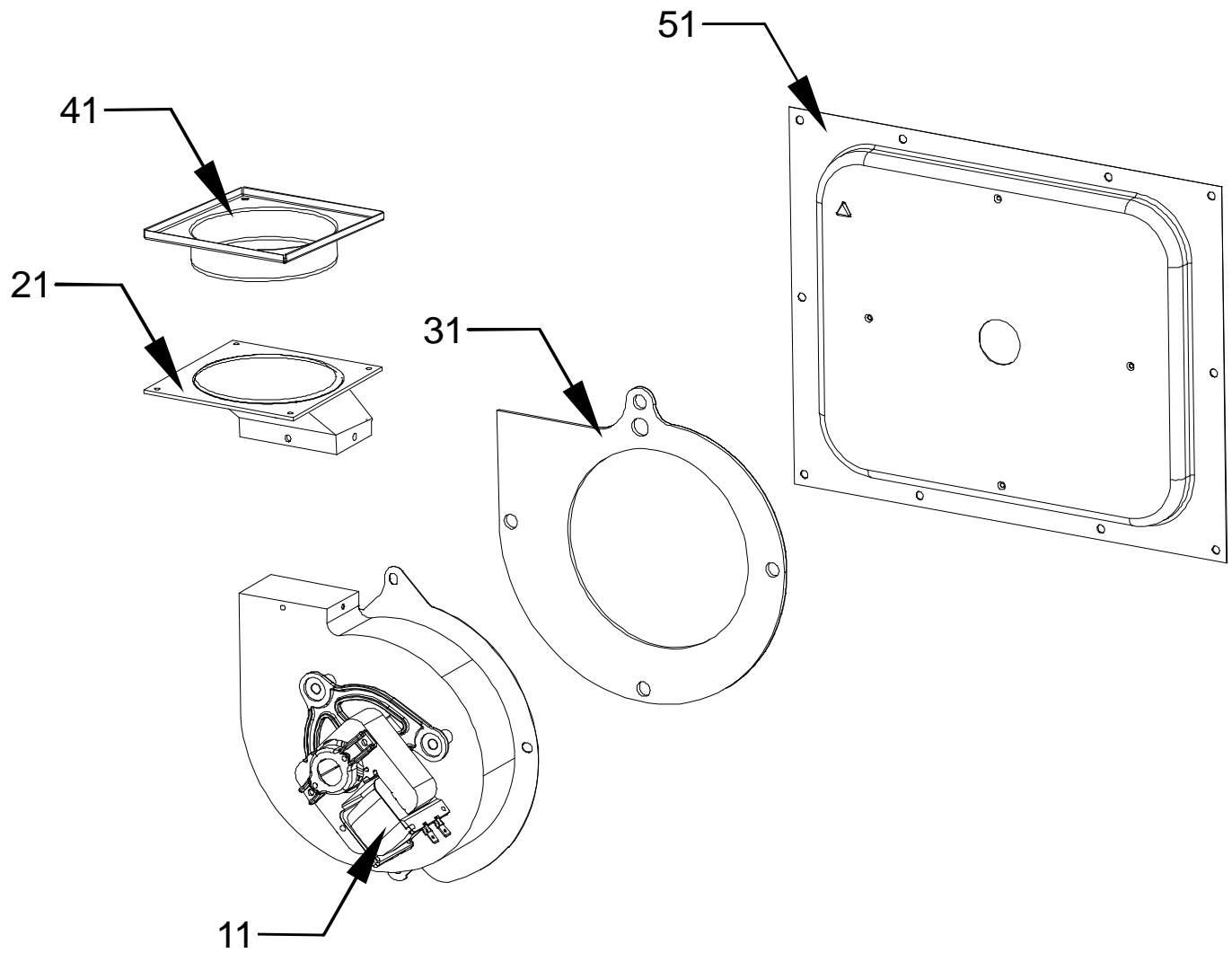
Heat Exchanger Assembly



Heat Exchanger Assembly

Ref. Part No:	No:	Description:	Ref. Part No:	No:	Description:
<i>Image 1:</i>			<i>Image 1:</i>		
61	0270F00900	HEAT EXCHANGER ASSY (M1, M2, M3, M4)	181	0130F00010	FLAME SENSOR
61	0270F00901	HEAT EXCHANGER ASSY (M5, M6, M7, M8)	Expanded Model Nomenclature		
61	0270F00902	HEAT EXCHANGER ASSY (M13, M14, M15, M16, M17, M18)	M1 - GMH80453ANCA		
61	0270F00903	HEAT EXCHANGER ASSY (M23, M24, M25, M26)	M2 - GMH80453ANCB		
61	0270F00904	HEAT EXCHANGER ASSY (M27, M28, M29, M30)	M3 - GMH80453AXCA		
61	0270F00929	HEAT EXCHANGER ASSY (M9, M10, M11, M12)	M4 - GMH80453AXCB		
61	0270F00930	HEAT EXCHANGER ASSY (M19, M20, M21, M22)	M5 - GMH80703ANCA		
71	20162903	PRIMARY LIMIT - BLUE (M15, M16, M17, M18, M27, M28, M29, M30)	M6 - GMH80703ANCB		
71	0130F00036	PRIMARY LIMIT - PINK (M23, M24, M25, M26)	M7 - GMH80703AXCA		
71	0130F00035	PRIMARY LIMIT - PURPLE 220° (M1, M2, M3, M4)	M8 - GMH80703AXCB		
71	20162906	PRIMARY LIMIT - WHITE (M5, M6, M7, M8, M9, M10, M11, M12, M13, M14, M19, M20, M21, M22)	M9 - GMH80704BNCA		
81	4028000	ORIFICE SHIELD 2 CELL (M1, M2, M3, M4)	M10 - GMH80704BNCB		
81	4028001	ORIFICE SHIELD 3 CELL (M5, M6, M7, M8, M9, M10, M11, M12)	M11 - GMH80704BXCA		
81	4028002	ORIFICE SHIELD 4 CELL (M13, M14, M15, M16, M17, M18, M19, M20, M21, M22)	M12 - GMH80704BXC		
81	4028003	ORIFICE SHIELD 5 CELL (M23, M24, M25, M26)	M13 - GMH80903BNCA		
81	4028004	ORIFICE SHIELD 6 CELL (M27, M28, M29, M30)	M14 - GMH80903BNCB		
91	0121F00146	BURNER BOX SIDE (QTY 2)	M15 - GMH80904BNCA		
101	B4022700	INSHOT BURNER ASSY 3" (QTY AR)	M16 - GMH80904BNCB		
111	0121F00167	BURNER BRACKET 2B (M1, M2, M3, M4)	M17 - GMH80904BXCA		
111	0121F00168	BURNER BRACKET 3B (M5, M6, M7, M8, M9, M10, M11, M12)	M18 - GMH80904BXC		
111	0121F00169	BURNER BRACKET 4B (M13, M14, M15, M16, M17, M18, M19, M20, M21, M22)	M19 - GMH80905CNCA		
111	0121F00170	BURNER BRACKET 5B (M23, M24, M25, M26)	M20 - GMH80905CNCB		
111	0121F00171	BURNER BRACKET 6B (M27, M28, M29, M30)	M21 - GMH80905CXCA		
121	10716003	ORIFICE (QTY AR)	M22 - GMH80905CXC		
131	0120F00006	MANIFOLD (M1, M2, M3, M4)	M23 - GMH81155CNCA		
131	0120F00007	MANIFOLD (M5, M6, M7, M8)	M24 - GMH81155CNB		
131	0120F00008	MANIFOLD (M13, M14, M15, M16, M17, M18)	M25 - GMH81155CXCA		
131	0120F00009	MANIFOLD (M23, M24, M25, M26)	M26 - GMH81155CXC		
131	0120F00010	MANIFOLD (M27, M28, M29, M30)	M27 - GMH81405DNCA		
131	0120F00017	MANIFOLD (M9, M10, M11, M12)	M28 - GMH81405DNB		
131	0120F00018	MANIFOLD (M19, M20, M21, M22)	M29 - GMH81405DXCA		
141	0151F00000P	GAS VALVE - WHITE-RODGERS 2-STAGE	M30 - GMH81405DXCB		
151	0121F00162	BURNER BOX TOP 2 CELL (M1, M2, M3, M4)			
151	0121F00163	BURNER BOX TOP 3 CELL (M5, M6, M7, M8, M9, M10, M11, M12)			
151	0121F00164	BURNER BOX TOP 4 CELL (M13, M14, M15, M16, M17, M18, M19, M20, M21, M22)			
151	0121F00165	BURNER BOX TOP 5 CELL (M23, M24, M25, M26)			
151	0121F00166	BURNER BOX TOP 6 CELL (M27, M28, M29, M30)			
161	10123529	MANUAL RESET LIMIT (QTY 2)			
171	0130F00008S	SINI IGNITOR			

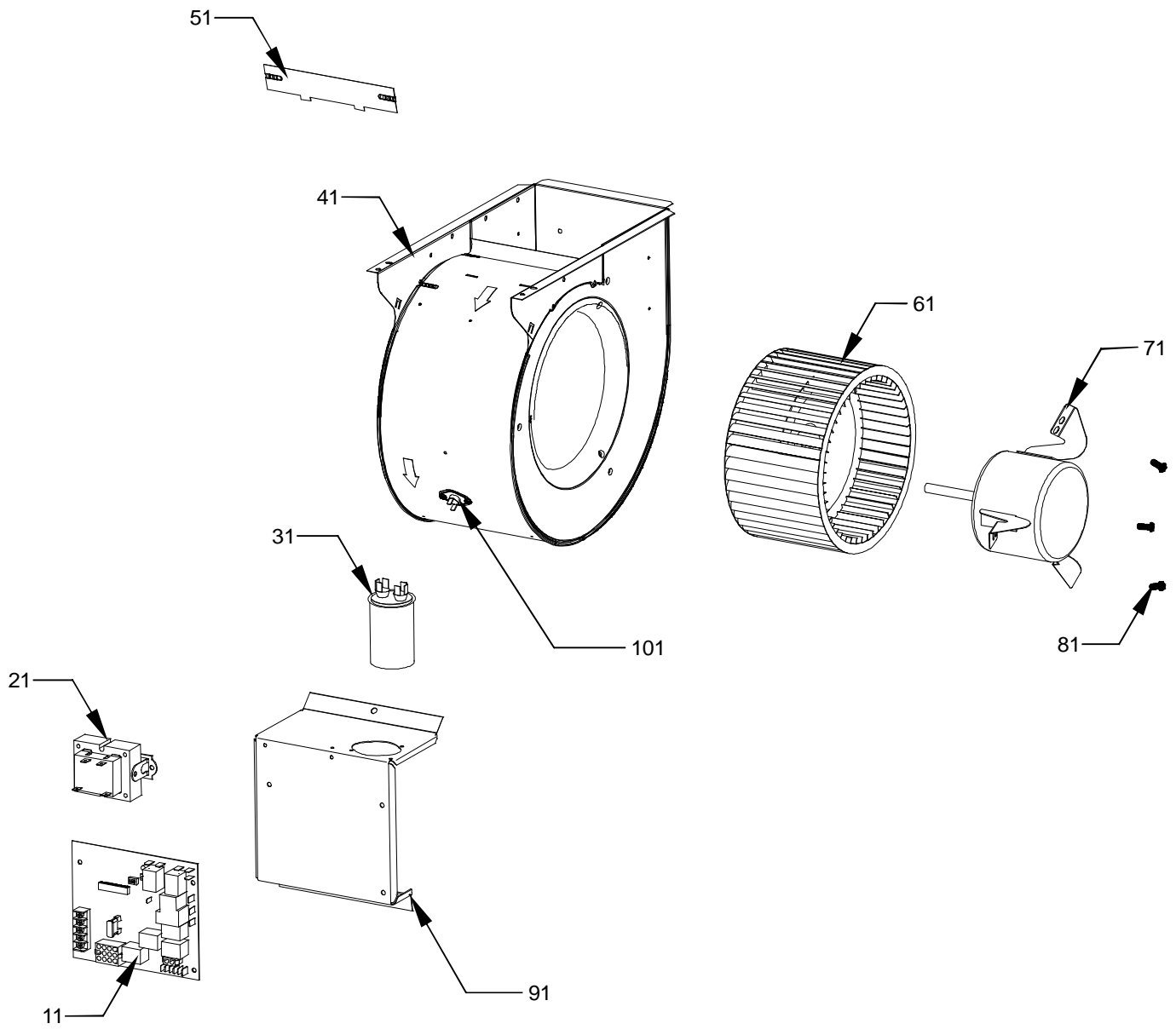
Collector Box Assembly



Collector Box Assembly

Ref. Part No:	No:	Description:	Ref. Part No:	No:	Description:
<i>Image 1:</i>			Expanded Model Nomenclature		
11	0131M00002S	VENT MOTOR	M1	-	GMH80453ANCA
21	0128F00006	CHIMNEY TRANSITION BOTTOM	M2	-	GMH80453ANCB
31	0154F00003	VENT MOTOR GASKET 14" (M1, M2, M3, M4, M5, M6, M7, M8)	M3	-	GMH80453AXCA
31	0154F00004	VENT MOTOR GASKET 17.5" (M9, M10, M11, M12, M13, M14, M15, M16, M17, M18)	M4	-	GMH80453AXCB
31	0154F00005	VENT MOTOR GASKET 21" (M19, M20, M21, M22, M23, M24, M25, M26)	M5	-	GMH80703ANCA
31	0154F00006	VENT MOTOR GASKET 24.5" (M27, M28, M29, M30)	M6	-	GMH80703ANCB
41	4023500	CHIMNEY TRANSITION TOP	M7	-	GMH80703AXCA
51	0121F00126	FLUE COLLECTOR BOX KIT 14" 1.25 DIA (M1, M2, M3, M4)	M8	-	GMH80703AXCB
51	0121F00127	FLUE COLLECTOR BOX KIT 14" 2.0 DIA (M5, M6, M7, M8)	M9	-	GMH80704BNCA
51	0121F00128	FLUE COLLECTOR BOX KIT 17.5" 1.75 DIA (M9, M10, M11, M12)	M10	-	GMH80704BNCB
51	0121F00161	FLUE COLLECTOR BOX KIT 17.5" 2.0 DIA (M13, M14, M15, M16, M17, M18)	M11	-	GMH80704BXCA
51	0121F00130	FLUE COLLECTOR BOX KIT 21" 2.25 DIA (M19, M20, M21, M22, M23, M24, M25, M26)	M12	-	GMH80704BXCB
51	0121F00131	FLUE COLLECTOR BOX KIT 24.5" 3.5 DIA (M27, M28, M29, M30)	M13	-	GMH80903BNCA
			M14	-	GMH80903BNCB
			M15	-	GMH80904BNCA
			M16	-	GMH80904BNCB
			M17	-	GMH80904BXCA
			M18	-	GMH80904BXCB
			M19	-	GMH80905CNCA
			M20	-	GMH80905CNCB
			M21	-	GMH80905CXCA
			M22	-	GMH80905CXCB
			M23	-	GMH81155CNCA
			M24	-	GMH81155CNCB
			M25	-	GMH81155CXCA
			M26	-	GMH81155CXCB
			M27	-	GMH81405DNCA
			M28	-	GMH81405DNCB
			M29	-	GMH81405DXCA
			M30	-	GMH81405DXCB

Blower and Control Panel



Blower and Control Panel

**Ref. Part
No: No:**

Description:

**Ref. Part
No: No:**

Description:

Image 1:

11	PCBBF122S	IGNITION BOARD, HSI INTEGRATED 2-STG
21	B1141605	TRANSFORMER 120V TO 24V, 40 VA
31	CAP125000370RPS	CAPACITOR 12.5/370V (M1, M2, M3, M4, M5, M6, M7, M8, M13, M14)
31	CAP200000440RPS	CAPACITOR 20/370V (M9, M10, M11, M12, M15, M16, M17, M18, M19, M20, M21, M22, M23, M24, M25, M26)
31	CAP250000370RPS	CAPACITOR 25/370V (M27, M28, M29, M30)
41	2539307S	BLOWER HOUSING 10 X 10 (M19, M20, M21, M22, M23, M24, M25, M26, M27, M28, M29, M30)
41	2539305S	BLOWER HOUSING 10 X 6 (M1, M2, M3, M4, M5, M6, M7, M8)
41	2539306S	BLOWER HOUSING 10 X 8 (M9, M10, M11, M12, M13, M14, M15, M16, M17, M18)
51	764741F	BLOWER BLOCK-OFF 10 X 10 (M19, M20, M21, M22, M23, M24, M25, M26, M27, M28, M29, M30)
51	764740F	BLOWER BLOCK-OFF 10 X 8 (M9, M10, M11, M12, M13, M14, M15, M16, M17, M18)
51	764739	BLOWER CUT-OFF 10 X 6 (M1, M2, M3, M4, M5, M6, M7, M8)
61	D6723311S	BLOWER WHEEL (M27, M28, M29, M30)
61	B1368047A	BLOWER WHEEL 10 X 10 (M19, M20, M21, M22, M23, M24, M25, M26)
61	B1368034S	BLOWER WHEEL 10 X 6 (M1, M2, M3, M4, M5, M6, M7, M8)
61	B1368016S	BLOWER WHEEL 10 X 8 (M9, M10, M11, M12, M15, M16, M17, M18)
61	B1368058S	BLOWER WHEEL 10 X 8 (M13, M14)
71	0131F00022	BLOWER MOTOR 1/2 HP, 4 SP, 6 PL (M9, M10, M11, M12, M15, M16, M17, M18, M19, M20, M21, M22, M23, M24, M25, M26)
71	0131F00020	BLOWER MOTOR 1/3 HP, 4 SP, 6 PL (M13, M14)
71	0131F00021	BLOWER MOTOR 1/3HP, 4SP, 6PL (M1, M2, M3, M4, M5, M6, M7, M8)
71	20046618S	BLOWER MOTOR 3/4 HP (M27, M28, M29, M30)
81	M0250558	TC SCREW (QTY 3)
91	1815817	CONTROL MOUNT PANEL
101	0130F00038	PRIMARY LIMIT - LT BLUE 120°

Expanded Model Nomenclature

M1 - GMH80453ANCA
M2 - GMH80453ANCB
M3 - GMH80453AXCA
M4 - GMH80453AXCB
M5 - GMH80703ANCA
M6 - GMH80703ANCB
M7 - GMH80703AXCA
M8 - GMH80703AXCB
M9 - GMH80704BNCA
M10 - GMH80704BNCB
M11 - GMH80704BXCA
M12 - GMH80704BXCB
M13 - GMH80903BNCA
M14 - GMH80903BNCB
M15 - GMH80904BNCA
M16 - GMH80904BNCB
M17 - GMH80904BXCA
M18 - GMH80904BXCB
M19 - GMH80905CNCA
M20 - GMH80905CNCB
M21 - GMH80905CXCA
M22 - GMH80905CXCB
M23 - GMH81155CNCA
M24 - GMH81155CNCB
M25 - GMH81155CXCA
M26 - GMH81155CXCB
M27 - GMH81405DNCA
M28 - GMH81405DNCB
M29 - GMH81405DXCA
M30 - GMH81405DXCB

THIS PAGE INTENTIONALLY LEFT BLANK