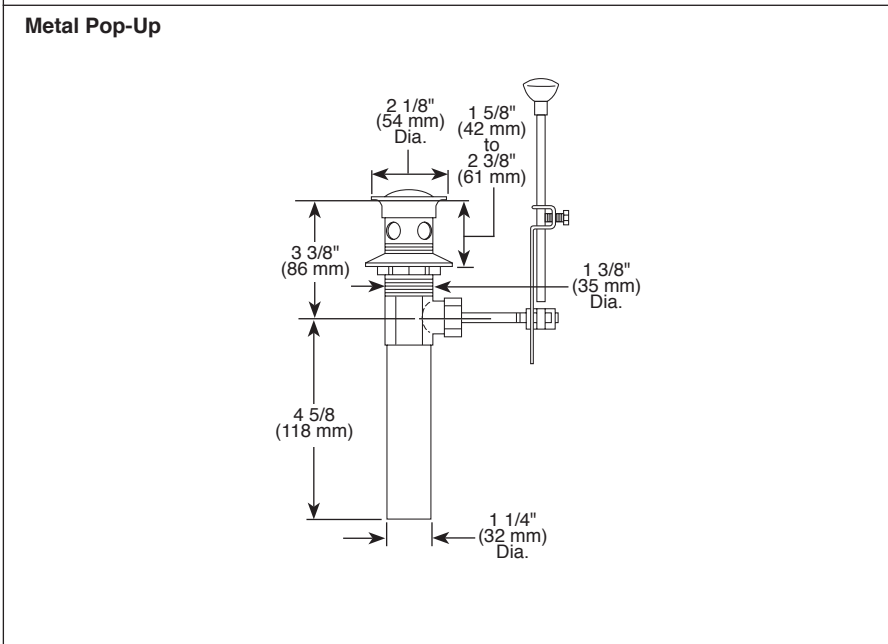
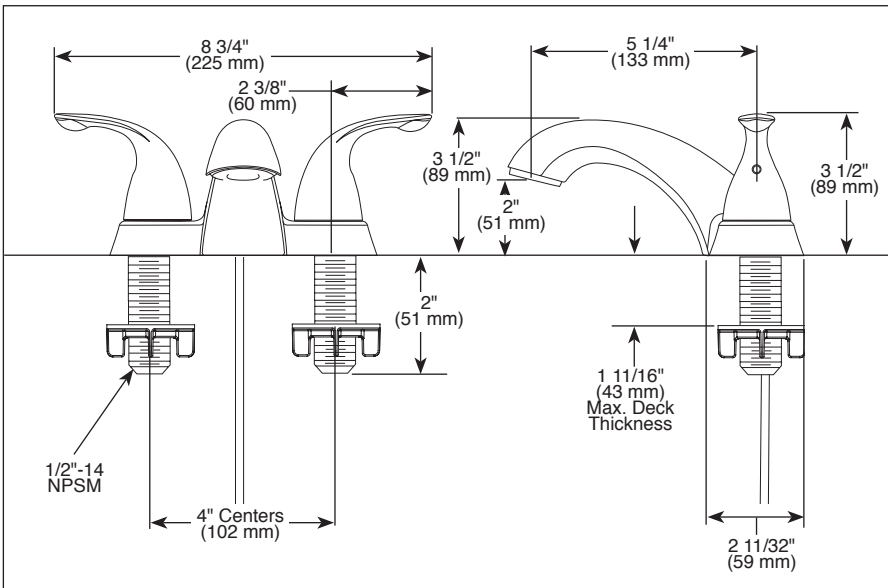


Submitted Model No.: \_\_\_\_\_

Specific Features: \_\_\_\_\_



▲ Designate proper finish suffix



see what Delta can do™

## LAVATORY FAUCETS

- Classic Series
- Two Handle Deck Mount

### STANDARD SPECIFICATIONS:

- Maximum 1.2 gpm @ 60 psi, 4.5 L/min @ 414 kPa
- Two and three hole mount
- Solid brass fabricated body
- Brass stems with 1/4 turn handle stops
- Control mechanism is a rotating cylinder with stainless steel plate and 180° rotation, with replaceable non-metallic seats operating in stainless steel lined sockets
- Models with suffix "MPU" have metal drain with pop-up type fitting with plated flange and stopper

### WARRANTY

- Lifetime limited warranty on parts (other than electronic parts and batteries) and finishes; or, for commercial users, for 5 years from the date of purchase.
- 5 year limited warranty on electronic parts (other than batteries); or for commercial users, for 1 year from the date of purchase. No warranty is provided on batteries



### COMPLIES WITH:

- ASME A112.18.1 / CSA B125.1
- ASME A112.18.2 / CSA B125.2



Indicates compliance to ICC / ANSI A117.1

- EPA WaterSense®
- Verified compliant with 0.25% weighted average Pb content regulations.

Delta reserves the right (1) to make changes in specifications and materials, and (2) to change or discontinue models, both without notice or obligation. Dimensions are for reference only. See current full-line price book or [www.deltafaucet.com](http://www.deltafaucet.com) for finish options and product availability.

DSP-L-2503LF Rev. E

### Delta Faucet Company

55 E. 111th Street, Indianapolis, IN 46280  
 350 South Edgeware Road, St. Thomas, ON N5P 4L1  
 © 2017 Delta Faucet Company