

## Installation Instructions

### For Juno R Series Trac Sections

Read all of these installation instructions before installing the trac system. Save these instructions and refer to them when additions to or changes in the trac configuration are made. Use only fixtures intended for use with Juno "R", "T", "TU" and "TT" Series trac systems. Use only fittings intended for Juno "R" Series Trac.

### IMPORTANT SAFETY INSTRUCTIONS

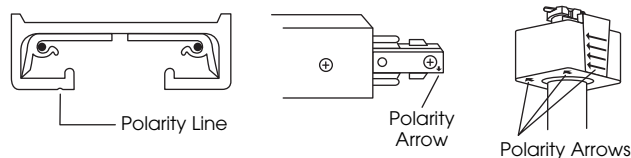
1. Read all instructions.
2. Do not install this trac in damp or wet locations.
3. Do not install any part of Trac System less than 5' above floor.
4. Do not install any fixture assembly closer than 6 inches from any curtain or similar combustible material.
5. Disconnect electrical power before adding to or changing the configuration of the trac.
6. Do not attempt to energize anything other than lighting fixtures on the trac. To reduce the risk of fire or electrical shock, do not attempt to connect power tools, extension cords, convenience receptacle adapters, appliances or the like to the trac.
7. Trac is not intended to be connected with power cord or to more than one branch circuit. If improperly wired, the trac system may appear to operate acceptably, but an electric shock hazard may result. Check with a qualified electrician before wiring trac.

### Polarity

All trac components are mechanically and visually polarized to assure proper connections and grounding.

#### NOTE:

1. Trac face has polarity line indicating positive side.
2. Trac connectors have arrow which must point towards polarity line on trac section.
3. Trac fixture adapter has arrows which must point toward the polarity line on trac system.
4. Make sure power is OFF before wiring.



### INSTALLATION for Electrical feed at outlet box.

Use No. 12 AWG solid copper wire only. Rated 120V, 60Hz, 20A.  
For standard ceiling using R21 End Feed:

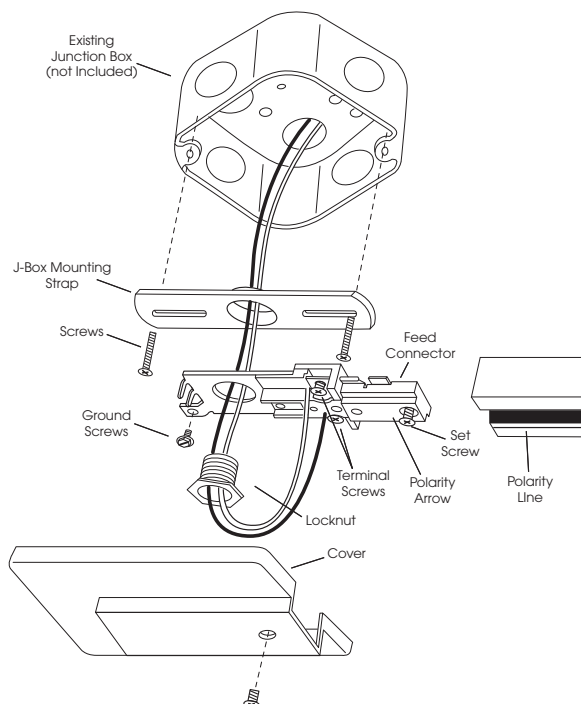
1. Make sure that power is OFF.
2. Pull junction box wires through mounting strap hole. Attach mounting strap to existing junction box with enclosed screws.
3. Insert feed connector fully into Trac with arrow pointing toward Trac polarity line and secure with set screw.
4. Attach Trac to ceiling (or wall) following instructions supplied with the Trac section.
5. Pull junction box wires through feed connector and nipple.
6. Secure feed connector to mounting strap with lock nut and nipple provided.
7. Fasten positive wire to screw terminal marked "P".
8. Fasten white wire (neutral) to screw terminal marked "N".
9. Connect ground wire to ground screw.
10. Replace cover and secure with screw.
11. Attach trac to ceiling with toggle bolts or screws.

#### For T-Bar or Drop Tile

1. Make sure power is OFF.
2. Follow electrical feed installation instructions for R36 T-Bar End Feed.
3. Attach trac to ceiling with R37F T-Bar Clips or R37D Drop Ceiling Clips. Maximum distance between clips is 4'.

(Continued on back)

### R21 End Feed



## INSTALLATION for Electrical feed from above away from outlet box.

Use No. 12 AWG solid copper wire only. Rated 120V, 60Hz, 20A.  
For standard ceiling using R38 End Feed:

1. Make sure power is OFF.
2. Remove connector cover.
3. Attach 1/2" connector (not supplied) and secure to BX, Romex or Greenfield.
4. Insert End Feed connector fully into Trac section with polarity arrow pointing toward Trac polarity line, secure with set screw.
5. Attach Trac to ceiling following instructions supplied with the Trac section.
6. Fasten positive wire to screw terminal marked "P".
7. Fasten neutral wire to screw terminal marked "N".
8. Connect ground wire to ground screw.
9. Replace feed connector cover and secure with screw.

### For T-Bar or Drop Tile ceilings

1. Make sure power is OFF.
2. Follow electrical feed installation instructions for R36 T-Bar End Feed.
3. Attach trac to ceiling with R37F T-Bar Clips or R37D Drop Ceiling Clips. Maximum distance between clips is 4'.

## Field Cutting Instructions

1. When cutting trac sections, the aluminum extrusion and the trac insulator must be the same length.
  - a. Use a fine tooth hacksaw for cutting.
  - b. Remove the dead end, push the insulator and buss bars until they are flush with one end of the trac.
  - c. Cut at the OPPOSITE end to the length required.
  - d. Carefully de-burr the cut end and make sure that no chips or fillings remain in the trac.
2. Push the buss bars partially out of the trac section and trim 11/16" to 13/16" from the buss bars for proper insertion of the connectors. Replace dead end.
3. Each end of the insulator that will have a connector inserted into it must have a notch cut into the center of the insulator. Using the end of the insulator that has been cut off as a pattern, cut a notch 5/8" long by 1/8" wide in the end of the insulator using a utility knife or scissors.
4. Push the insulator and the buss bars fully into the trac and insert appropriate connector.

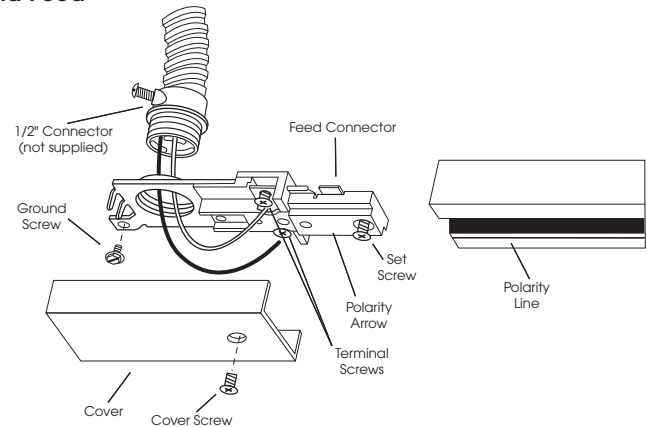
## Drilling Instructions

1. When a new mounting hole is required in a piece of trac, it must be placed on the trac centerline. If the new hole is in the end of the trac section, it must be no closer than 2" nor farther than 6" from the end of the trac section.
2. Locate and drill a 1/4" diameter hole through the trac and insulator. Carefully de-burr the hole and make sure that there are no chips or fillings that remain in the trac.
3. A minimum of two mounting holes are required per trac section. Maximum distance between mounting holes is 4'.

## WARRANTY

Juno warrants that its products are free from defects in material and workmanship. Juno's obligation is expressly limited to repair or replacement, without charge, at Juno's factory after prior written return authorization has been granted. This warranty shall not apply to products which have been altered or repaired outside of Juno's factory. This warranty is in lieu of all other warranties, expressed or implied, and without limiting the generality of the foregoing phrase, excludes any implied warranty of merchantability. Also, there are no warranties which extend beyond the description of the product on the company's literature setting forth terms of sale.

### R38 End Feed



### R36 T-Bar End Feed

