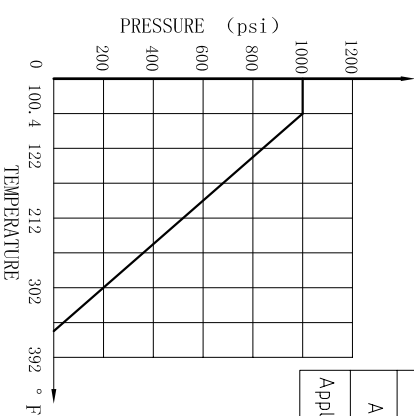
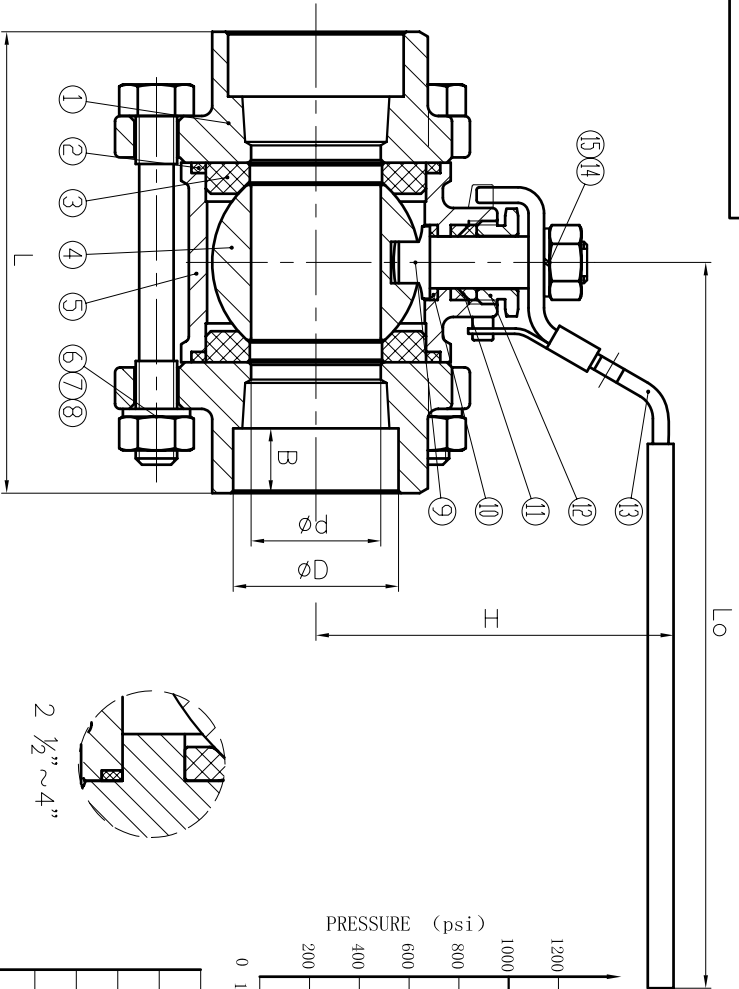


0001/S9R69VB



NOTE:
 1. Design and Manufacture for valve according to ASME B16.34.
 2. Inspection and Test for valve according to API 598.

Nominal pressure			1000Psi		
Test pressure	Shell test	10.4	Test medium	Water	Test temperature
	Seal test	7.6		Air	Normal temperature
Gas seal test	0.6				
Applicable medium			Water, Oil, Gas		
Applicable temperature			-20~356°F		

NPS	L	d	D ^{+0.016} ₀	B	Lo	H	Weight (lb)
3/8"	2.559	0.453	0.693	0.374	3.740	1.909	0.794
1/2"	2.953	0.591	0.858	0.374	4.134	2.126	1.102
3/4"	3.150	0.768	1.071	0.492	4.724	2.579	1.455
1"	3.543	0.984	1.335	0.492	5.512	2.835	1.929
1 1/4"	4.331	1.260	1.681	0.492	5.906	3.189	3.803
1 1/2"	4.725	1.496	1.921	0.492	6.693	3.780	4.993
2"	5.512	1.929	2.409	0.630	7.283	4.134	6.515
2 1/2"	6.299	2.520	2.909	0.630	8.661	4.724	12.236
3"	7.087	3.031	3.535	0.630	10.623	5.295	17.935
4"	8.465	3.898	4.535	0.748	12.402	6.181	28.594

15	NUT	1	A194 8
14	SPRING WASHER	1	304
13	HANDLE	1	STAINLESS STEEL
12	GLAND	1	304
11	PACKING	1	RPTFE
10	STEM WASHER	1	RPTFE
9	STEM	1	A276 316
8	NUT	-	A194 8
7	SPRING WASHER	-	304
6	HEXAGON HEAD BOLT	-	A193 B8
5	BODY	1	A351 CF8M
4	BALL	1	SS316
3	SEAT	2	RPTFE
2	GASKET	2	RPTFE
1	BONNET	2	A351 CF8M
NO.	DESCRIPTION	QTY	MATERIAL
MARK BEFORE MODIFIED			
DRA.		AFTER MODIFIED	
CHK.	DATE	SCALE	
			3PC Ball Valve
			1000PSI, SW
			BV63R6S/1000