



Buy it for looks. Buy it for life.®

■ Order by Part Number

*There is more than 1 version of this model.
Page down to identify the version you have.*

DESCRIPTION

- Metal construction with various finishes identified by suffix
- Flexible supplies with 3/8" compression fittings
- With side spray
- Duralock™ Quick Connect Installation

OPERATION

- Lever style handle
- Operates with less than 5 lbs. of force

FLOW

- Flow is limited to 1.5 gpm (5.7 L/min) at 60 psi
- Operates in eco-performance mode by default in aerated and spray stream

CARTRIDGE

- 1255™ Duralast™ cartridge for Single-Handle Faucets
- Engineered polymers, non-ferrous and stainless steel materials

STANDARDS

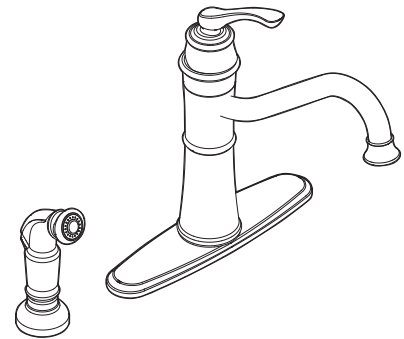
- Third party certified to IAPMO Green, ASME A112.18.1/CSA B-125.1 and all applicable requirements referenced therein including NSF 61 & 372
- Meets CalGreen and Georgia SB370 requirements
- Complies with California Proposition 65 and with the Federal Safe Drinking Water Act

- ADA  for lever handle

WARRANTY

- Lifetime limited warranty against leaks, drips and finish defects to the original consumer purchaser
- 5 year warranty if used in commercial installations

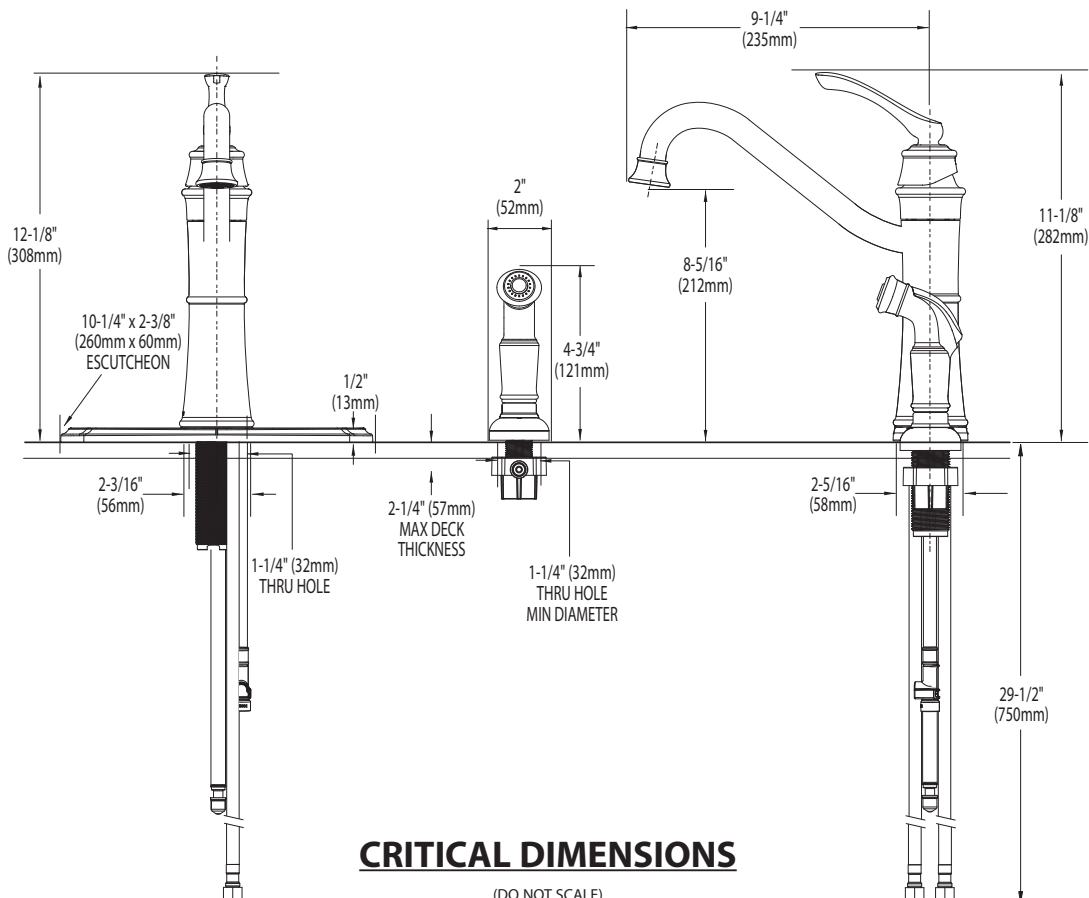
Specifications



Wetherly™ Single-Handle Lever Kitchen Faucet with Side Spray

Models: 87999 series

NOTE: THIS FAUCET IS DESIGNED TO BE INSTALLED THROUGH 2 OR 4 HOLES 1-1/4" (32mm) MIN. DIA. AND 4" (102mm) ON CENTER. Also has single hole mount capability.





Buy it for looks. Buy it for life.®

Specifications

FAUCET DESCRIPTION

- Metal construction with various finishes identified by suffix
- Flexible supplies with 3/8" compression fittings
- Includes traditional side spray with quick connect system

OPERATION

- Lever style handle
- Operates with less than 5 lbs. of force

FLOW

- Aerator is limited to 1.5 gpm max (5.7 L/min)

CARTRIDGE

- 1255™ Duralast™ cartridge
- Nonmetallic/nonferrous and stainless steel material

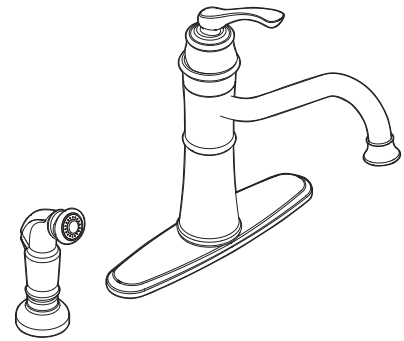
STANDARDS

- Third party certified to IAPMO Green, ASME A112.18.1/CSA B-125.1 and all applicable requirements referenced therein including NSF 61 & 372
- Complies with California Proposition 65 and with the Federal Safe Drinking Water Act

- **ADA**  for lever handle

WARRANTY

- Lifetime limited warranty against leaks, drips and finish defects to the original consumer purchaser
- 5 year warranty if used in commercial installations



Wetherly™ Single-Handle Lever Kitchen Faucet with Side Spray

Models: 87999 series

NOTE: THIS FAUCET IS DESIGNED TO BE INSTALLED THROUGH 2 OR 4 HOLES 1-1/4" (32mm) MIN. DIA. AND 4" (102mm) ON CENTER.

Also has single hole mount capability.

