

**SPLASH MOUNTED FAUCETS**



7-PS-60



7-PS-68



7-PS-50



7-PS-54



7-PS-67

**DECK MOUNTED FAUCET**



7-PS-20



7-PS-20-NF  
Faucet omitted

**SINGLE HOLE PUNCH**  
Faucet omitted



7-PS-71

**DOUBLE HOLE PUNCH**  
Faucet omitted



7-PS-70

**LARGE SINK BOWLS**

Features  
Large Size  
Sink Bowl  
16" x 20" x 8"



7-PS-45

Features  
Large Size  
Sink Bowl  
16" x 14" x 8"



7-PS-49

Item #: \_\_\_\_\_ Qty #: \_\_\_\_\_

Model #: \_\_\_\_\_

Project #: \_\_\_\_\_

**FEATURES:**

One piece **Deep Drawn** sink bowl design.

Sink bowl size is 10" x 14" x 5".

**7-PS-45** sink bowl size is 16" x 20" x 8".

**7-PS-49** sink bowl size is 16" x 14" x 8".

All sink bowls have a large liberal radii with a minimum dimension of 2" and are rectangular in design for increased capacity.

Stainless steel 3 1/2" basket drain with 1-1/2" IPS.

**Additional Features:**

**7-PS-20** 4" O.C. deck mounted centerset faucet.

**7-PS-20-NF** Deck mounted faucet omitted. Two 4" O.C. holes.

**7-PS-45** 4" O.C. splash mounted faucet and 2 Stainless Steel Support Brackets. (Hardware Included).

**7-PS-49** 4" O.C. splash mounted faucet and 2 Stainless Steel Support Brackets. (Hardware Included).

**7-PS-50** 4" O.C. splash mounted gooseneck faucet. Lever operated drain and built-in overflow with plastic overflow tube and spring clamps. 1-1/2" P-Trap.

**7-PS-54** 4" O.C. splash mounted gooseneck faucet. 1-1/2" P-Trap.

**7-PS-60** 4" O.C. splash mounted gooseneck faucet.

**7-PS-67** 4" O.C. splash mounted gooseneck faucet and lever operated drain.

**7-PS-68** 4" O.C. splash mounted gooseneck faucet with Wrist Handles.

**7-PS-70** Splash mounted faucet omitted. Two 4" O.C. holes.

**7-PS-71** Splash mounted faucet omitted. Single center hole.

**CONSTRUCTION:**

All TIG welded.

Welded areas blended to match adjacent surfaces and to a satin finish.

Die formed Countertop Edge with a No-Drip offset.

One sheet of stainless steel - No Seams.

**MATERIAL:**

Heavy gauge type 304 series stainless steel.

Wall mounting bracket is Galvanized and of offset design.

All fittings are brass / chrome plated unless otherwise indicated.

**MECHANICAL:**

Faucet supply is 1/2" IPS male thread hot and cold.

**Faucet Flow Rate:** 1.0 GPM/3.8 LPM aerator. 60 PSI.

**WARNING:**

Equipment that includes a faucet may expose you to chemicals, including lead, that are known to the State of California to cause cancer or birth defects or other reproductive harm. For more Info., visit [www.p65warnings.ca.gov](http://www.p65warnings.ca.gov).

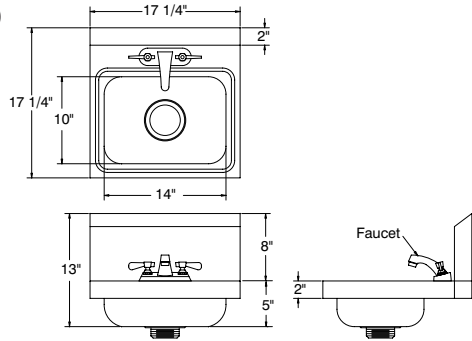
# DIMENSIONS and SPECIFICATIONS

TOL Overall: ± .500" Interior: ± .250"

FITTINGS SUPPLIED AS SHOWN

ALL DIMENSIONS ARE TYPICAL

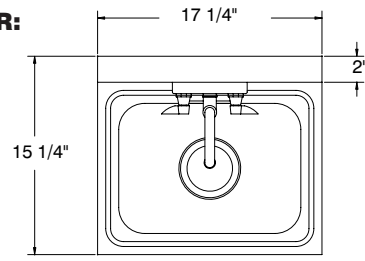
7-PS-20



15 lbs.

TOP VIEW FOR:

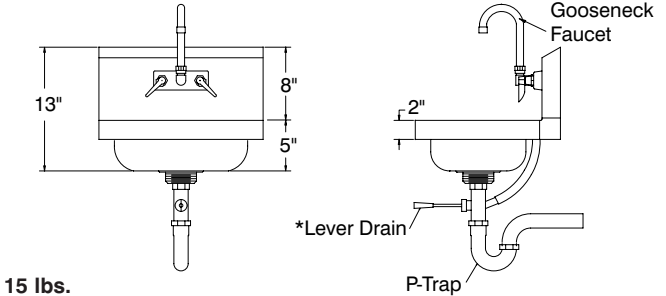
7-PS-50  
7-PS-54  
7-PS-60  
7-PS-68  
7-PS-70



Sink Bowl 10" x 14" x 5"

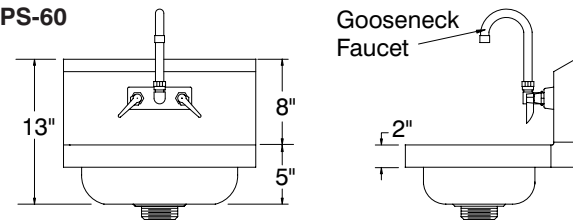
7-PS-50 & 7-PS-54\*

NOTE: \*7-PS-54 Hand Sink Excludes Lever Drain and Overflow



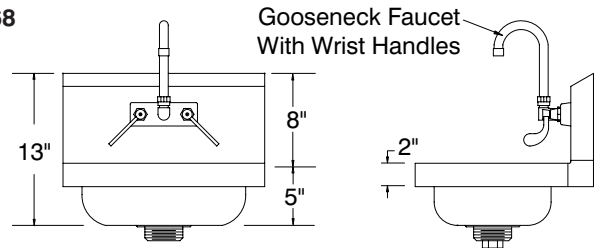
15 lbs.

7-PS-60



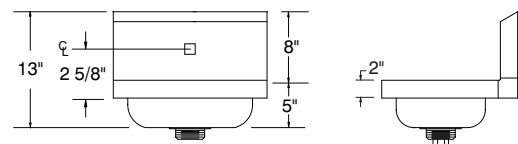
13 lbs.

7-PS-68

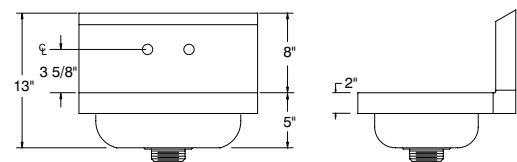


13 lbs.

7-PS-71

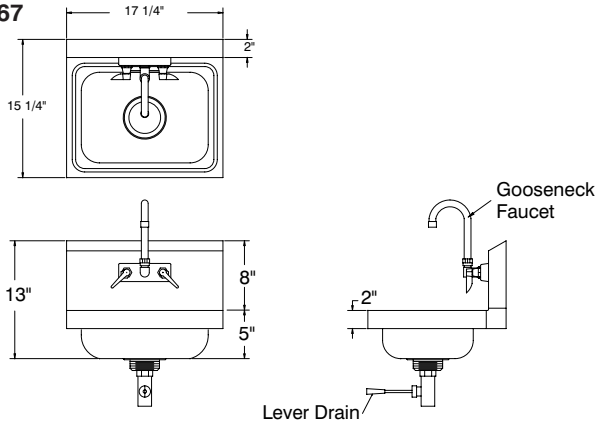


7-PS-70



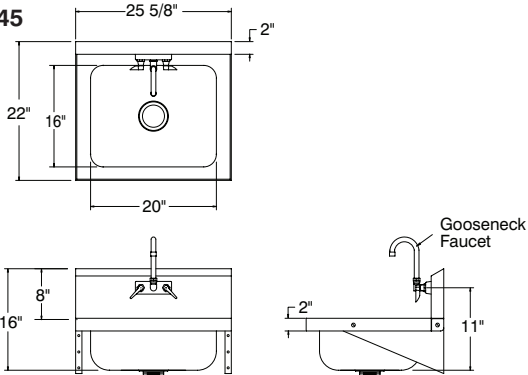
12 lbs.

7-PS-67



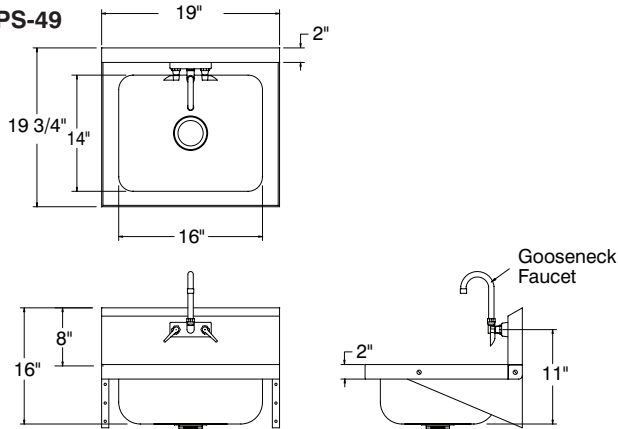
15 lbs.

7-PS-45



31 lbs.

7-PS-49



31 lbs.

