

1 System Data Sheet

ProPress 304 FKM



ProPress 304 FKM is a stainless steel system designed to be used with Viega stainless steel pipe to form a complete press system that is ideal for industrial applications. ProPress 304 FKM fittings utilize a versatile FKM sealing element to provide a permanent, leak-free connection in

dimensions from 1/2" to 4". A ProPress 304 FKM system can stand up to harsh environments while transporting process water, diesel fuel, lube oil, ammonia, low pressure steam, or any number of other essential fluids.

ProPress 304 FKM fittings are offered in configurations including: elbows, couplings, reducers, tees, reducing tees, threaded adapters, unions, caps, and flanges. ProPress 304 FKM fittings in 2 1/2" to 4" have a 420 stainless steel grip ring and a PBT separator ring in addition to the FKM sealing element.

Operating Parameters

- Operating Pressure: 200 psi maximum
- Test Pressure: 600 psi maximum
- Operating Temperature: 14°F to 284°F (with temp. spikes up to 356°F)

Listings and Certificates

- ABS
- ASME B31.1, B31.3, B31.9
- IAPMO PS-117
- ICC-ES LC1002
- NFPA 13, 13D, and 13R
- UL/ANSI 213
- UL/ANSI 852

International Listings and Certificates

- BV: Bureau Veritas
- CRN: 13492.5 A/B/C
- DNV GL: Det Norske Veritas Germanischer
- LR: Lloyd's Register
- NKK: Nippon Kaija Kyokai
- ULC/ANSI ORD-C213

Contact your local Viega representative for details on local approvals.

Compliant With

- ASME B31
- ASTM A312
- ASTM A554

Approved Applications

- Hydronic heating (with glycol)
- Chilled water
- Compressed air
- Fire sprinkler (175 psi maximum)
- Low pressure steam (15 psi maximum)
- Vacuum (29.2" Hg maximum @ 68°F)
- Acetylene
- Fuel oil
- Diesel fuel (125 psi)
- Lube oil

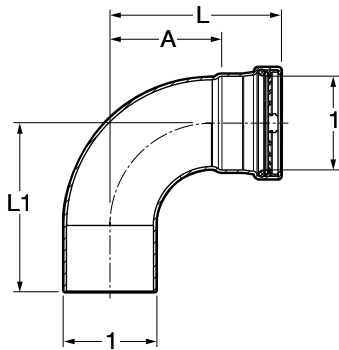
ProPress 304 FKM systems are approved for underground use. When installed underground, ProPress 304 FKM should have proper corrosion protection in accordance with local and national codes.

For more specific information on applications for ProPress 304 FKM fittings, contact Viega Technical Services at 1-800-976-9819.

Smart Connect® Technology

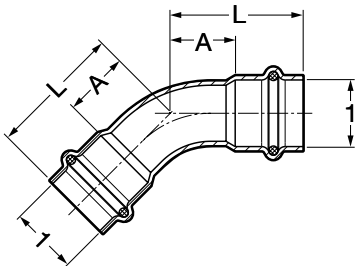
ProPress 304 FKM fittings are manufactured with Viega's patented Smart Connect technology. Designed into the fitting itself, Viega Smart Connect technology allows identification of an unpressed fitting during pressure testing.

ProPress Stainless 90° Street Elbow P x FTG - Models 6016.1XL / 4016.1XL



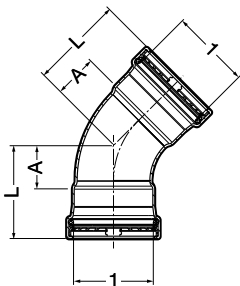
Part No.		Size (in)	A (in)	L (in)	L1 (in)
304	316	1 1			
85522	80520	2½ x 2½	3.19	4.88	4.80
85527	80525	3 x 3	3.76	5.73	5.63
85532	80530	4 x 4	4.86	7.22	7.13

ProPress Stainless 45° Elbow P x P - Models 6026 / 4026



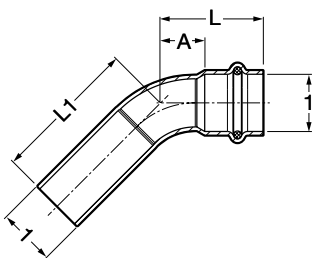
Part No.		Size (in)	A (in)	L (in)
304	316	1		
85447	80445	½	0.57	1.32
85452	80450	¾	0.87	1.77
85457	80455	1	0.89	1.79
85462	80460	1¼	0.69	1.72
85467	80465	1½	0.82	2.25
85472	80470	2	1.06	2.64

ProPress Stainless 45° Elbow P x P - Models 6026XL / 4026XL



Part No.		Size (in)	A (in)	L (in)
304	316	1 1		
85477	80475	2½ x 2½	1.48	3.18
85482	80480	3 x 3	1.73	3.70
85487	80485	4 x 4	2.19	4.55

ProPress Stainless 45° Elbow FTG x P - Models 6026.1 / 4026.1



Part No.		Size (in)	A (in)	L (in)	L1 (in)
304	316	1			
85537	80535	½	0.57	1.32	1.46
85542	80540	¾	0.69	1.59	2.27
85547	80545	1	0.89	1.79	2.28
NA	80550	1¼	0.69	1.72	1.79
85557	80555	1½	0.82	2.25	2.32
85562	80560	2	1.06	2.64	2.71