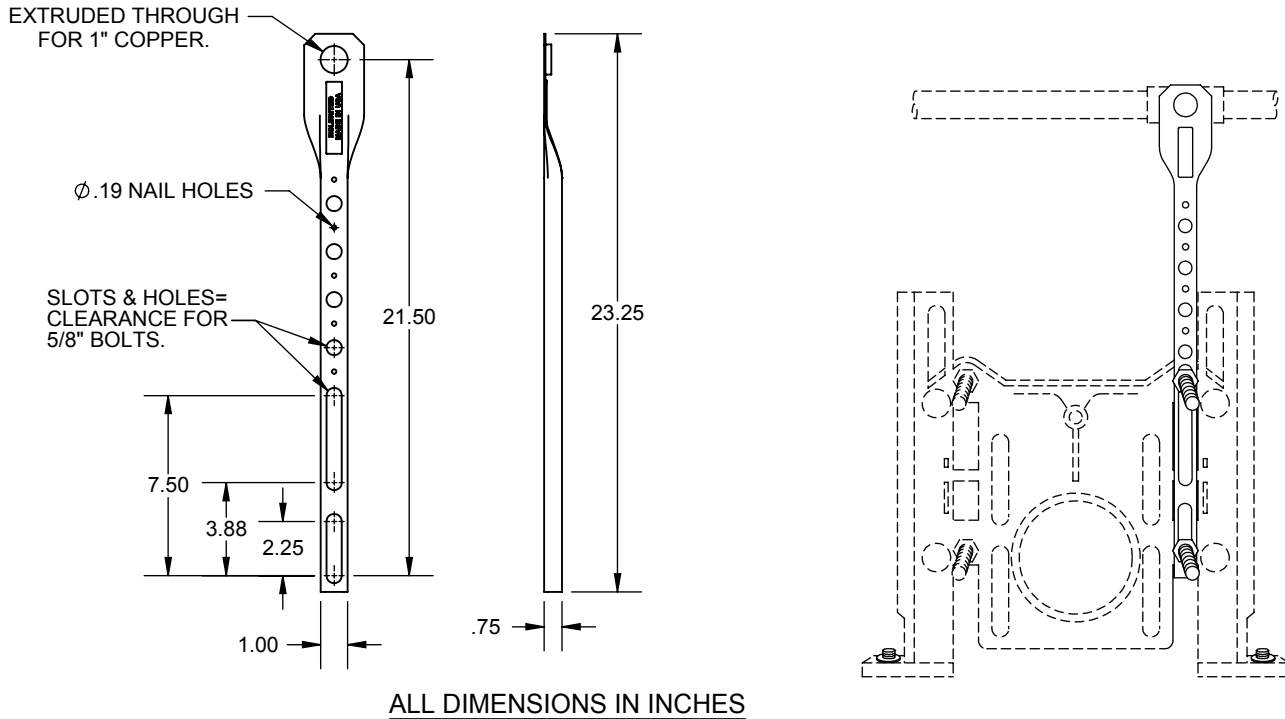


PRODUCT SPECIFICATION DRAWING

HOLDRITE® #114-C

Supports flush valves on carriers



The HOLDRITE #114-C is a Copper-Bonded™ steel bracket with two slots for securely mounting upright to the carrier unit. The top end has a single 1-1/8" extruded hole for soldering 1" copper pipe, as well as supporting the water pipe for the flush valve above the floor. Adjust the flush valve 4-1/2" from the carrier center and 14" above the top fixture mounting bolt. This installation typically places the flush valve at 11-1/2" above the fixture. When soldering, heat the pipe, not the bracket.

Product Information:

- Material: 16 gage CRS, Copper-Bonded™
- Provides consistent "rough-in" dimensions
- Works with all 4 bolts siphon jet carriers
- Works with current #114-C-EXT brackets
- UPC / IPC / IAPMO listed



THIS INFORMATION IS PROPRIETARY TO HOLDRITE AND IS SUBJECT TO CHANGE WITHOUT NOTICE. IT MAY NOT BE REPRODUCED IN PART OR WHOLE WITHOUT WRITTEN AUTHORIZATION.

HOLDRITE®

CONVERTING MAKESHIFT METHODS INTO ENGINEERED SOLUTIONSSM
 800-321-0316 OR 760-744-6944 / FAX: 760-744-0507 / WWW.HOLDRITE.COM
 spec_114-C_RevV

Product Submittal	
Job Name:	
Date:	
Part Number:	Qty:
Architect / Owner:	
Contractor:	
Notes:	