

Figure 501 CARBON STEEL BALL VALVES



1 PC STANDARD PORT 150# FLANGED

Features:

- Standard Port
- 150 WSP
- Flanged Connection
- RTFE Seats
- Stainless Steel Trim
- Anti-Static Design
- Blow-out Proof Stem
- Investment Cast Body
- Adjustable Packing
- Locking Device
- Actuator Mounting Pad
- Manufactured Silicone Free
- Sizes 2" to 6"

Standards:

- Design: ASME B16.34
- Pressure Test: API 598
- Flange Dimensions: ASME B16.5
- Materials: ASME B16.34
- Mounting Pad: ISO 5211



B

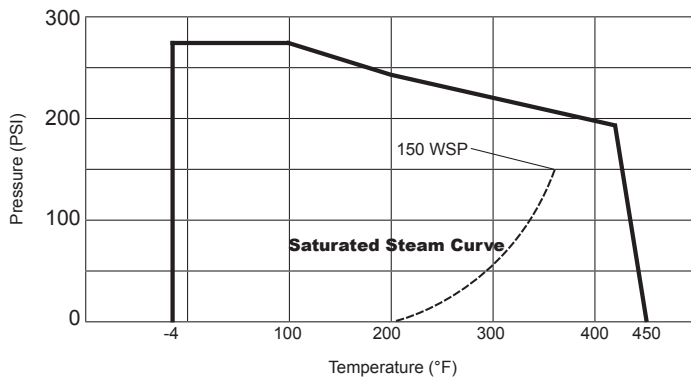


Figure Number Matrix

FNW 501 Size	
SIZE CODE	
2 = K	
2-1/2 = L	
3 = M	
4 = P	
6 = U	

Cv & Weight

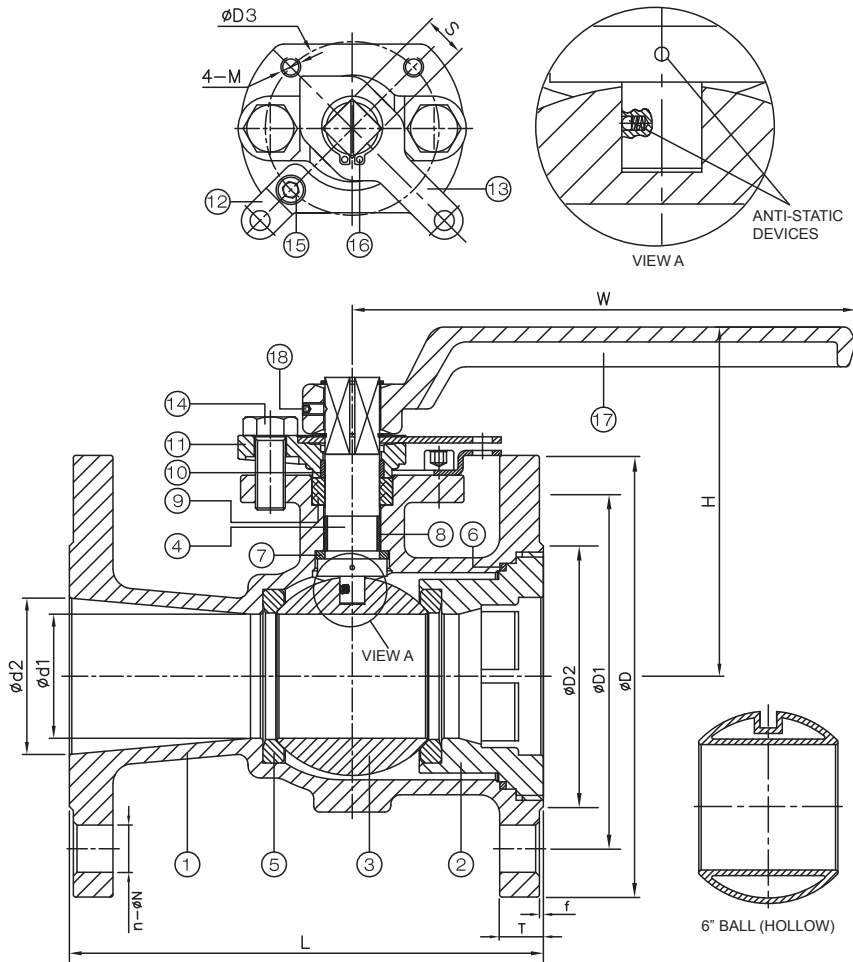
Size	Cv	Wt. (lbs)
2	165	16.3
2-1/2	240	23.1
3	290	32.6
4	690	51.1
6	900	90.4

Torque

Size	Torque (in-lbs)
2	279
2-1/2	419
3	863
4	996
6	2,457

1 PC STANDARD PORT 150# FLANGED

B



Standard Materials

Ref. No.	Description	Material	Qty
1	Body	ASTM A216-WCB Carbon Steel	1
2	Insert	ASTM A216-WCB Carbon Steel	1
3	Ball	ASTM A351 Gr. CF8M Stainless	1
4	Stem	ASTM A276-316 Stainless	1
5	Seat	RTFE	2
6	Body Seal	PTFE	1
7	Thrust Washer	PTFE	1
8	Stem Bushing	PTFE	1
9	Packing	PTFE	1
10	Bearing	PTFE	1
11	Gland	AISI304 Stainless	1
12	Lock Out Plate	AISI304 Stainless	1
13	Stop Plate	AISI304 Stainless	1
14	Packing Bolt	AISI304 Stainless	2
15	Lock Plate Bolt	AISI304 Stainless	2
16	Snap Ring	AISI304 Stainless	2
17	Handle	ASTM A216-WCB Carbon Steel	1
18	Set Screw	AISI304 Stainless	1

Dimensions (inches)

Size	ØD	ØD1	ØD2	Ød1	Ød2	L	H	W	S	ØD3	M (UNC)	n	ØN	T	f
2	6.00	4.75	3.62	1.50	1.77	7.01	5.04	7.87	0.67	2.76	5/16"-18	4	0.62	0.62	0.06
2-1/2	7.00	5.50	4.12	1.97	2.48	7.48	5.51	7.87	0.67	2.76	5/16"-18	4	0.74	0.69	0.06
3	7.50	6.00	5.00	2.28	2.99	7.99	5.98	12.80	0.87	4.02	3/8"-16	4	0.74	0.75	0.06
4	9.00	7.50	6.19	3.15	3.86	9.02	6.93	12.80	0.87	4.02	3/8"-16	8	0.74	0.94	0.06
6	11.00	9.50	8.50	4.49	5.91	10.51	9.45	29.61	1.06	4.92	12"-13	8	0.86	1.00	0.06