



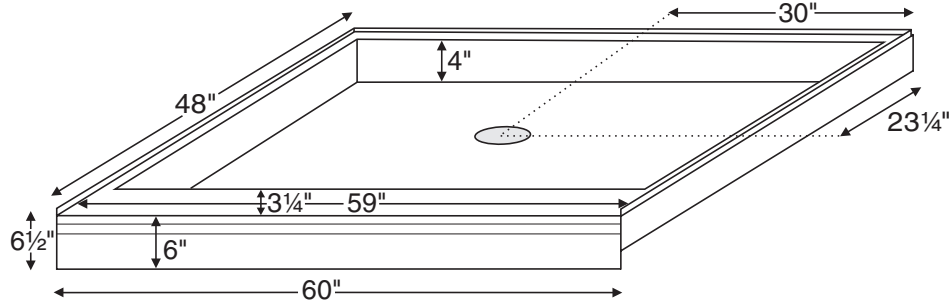
## Designer Collection Shower Bases

### MTSB-6048

60" x 48" x 6"

#### GENERAL SPECIFICATIONS

Material - Acrylic  
 Shipping Weight - 125 lbs / 57 kg  
 Threshold - Single Threshold  
 Drain Location - Center



Model #	Size	Shape	MSRP
SB6048	60" x 48" x 6"	Rectangle	\$1,535

Options <i>Must be ordered at time of purchase</i>
<b>Color</b> Please specify color on order White (CWH) Biscuit (CBS)
<b>Quick Ship (QSPRI) \$380</b> Reduces lead time. Please call for availability.
<b>Radiance® (RAD100) \$1,090</b> Shower floor heating system. Radiance heating grids are fully integrated within the acrylic shell structure of the shower floor. Requires a 110-volt, 15 amp GFCI and remote installation of control box & keypad.
<b>Pre-Levelled Foam Base (PLFSB) \$160</b>
<b>PVC Drain Kit Finishes</b> Chrome included with shower base Brushed Nickel upcharge (SBDKBN) <b>\$60</b> Special Finishes upcharge* (SBDKSF) <b>\$360</b> *Must send finish sample and allow 3-4 weeks additional lead time.

Accessories
<b>Drain Kit Options</b> Solid Brass Drain Kit with Stainless Steel Cover (SBDKSB) <b>\$185</b>
<b>Teak Shower Seat</b> Premium Natural Stainless (TK-SSEAT2416BNS) <b>\$2,575</b> High-Polished Stainless (TKSSEAT2416BHP) <b>\$2,975</b> Standard Natural Stainless (TK-SSEAT2215NS) <b>\$950</b> High-Polished Stainless (TK-SSEAT2215HP) <b>\$1,320</b>
<b>Teak Bath Mat (TKMAT3018) \$390</b> Measures 30" x 17.5" x 1" Custom sizes also available. Contact MTI for details.
<b>Teak Shower Tray (TK6048) Contact MTI for pricing</b>

### IMPORTANT ORDERING & INSTALLATION INFORMATION

- 3-sided integral tile flange to facilitate installation.
- Single threshold design.
- 3.5" drain opening pre-drilled.
- Drain finish options on this sheet are upcharge prices only. Contact MTI for ordering details for drain kits sold separately.
- Compliant with ASTM C 1028-07 coefficient of friction test.
- Add proper wet-bedding compound to fully support bottom of shower base. Optional factory installed Pre-Levelled Foam Base negates the need to wet bed when installing on a flat, level subfloor. See installation instructions.

• Options and accessories may be packaged inside the tub crate. Always check packaging before discarding.  
 • All product measurements are ±1/2".  
 • Specifications and configurations are subject to change without notice.  
 • Measurements herein supersede all others published prior to publication date below.

See the Installation & Operation Manual for more details.  
 MTI's Customer Service: Monday-Friday 8am-6pm EST  
**800-783-8827** or [service@mtibaths.com](mailto:service@mtibaths.com)

CSA # MTSB-6048

©2021 by MTI Baths, Inc. Modification Rights Reserved



Effective\_03.01.2021