

**For Residential and Light Commercial Applications**

Job Name \_\_\_\_\_  
 Job Location \_\_\_\_\_  
 Engineer \_\_\_\_\_  
 Approval \_\_\_\_\_

Contractor \_\_\_\_\_  
 Approval \_\_\_\_\_  
 Contractor's P.O. No. \_\_\_\_\_  
 Representative \_\_\_\_\_

**Plastic Filter Housings**  
**Top Quality and Economical**  
**Plastic Filter Housings**

**Single Cartridge Filter Housings**

**Sizes: 1/4" – 1 1/2" (6 – 40mm)**

Our poly filter housings are manufactured from the highest quality 100% polypropylene acrylic styrene (for clear housings). Leak-proof sealing is accomplished by compression against a top seated EPDM O-ring located in the housing's sump. Thick wall and added ribs make the housings ideal for a wide range of applications. Polypropylene construction provides excellent chemical resistance in most installations environments. Housings supplied with and without pressure relief valves. See specifications table for pressure and temperature ratings.

**Full product line**

We offer a complete line of poly filter housings for virtually every application where single cartridge housings are typically used. Select from standard, heavy-duty, full-flow, high-purity, high-temp and valve-in-head models.

**Features**

- Full product line for more types, models, pipe fittings and options
- Heavy-duty construction, made using high-quality grade polypropylene
- Superior chemical resistance from many aggressive chemicals
- Buttress thread design for superior security
- Thick side walls with heavy-duty ribs to provide greater strength
- Temperature rated to 100° F/37.8 ° C
- Cap, sump and top-seated O-rings compress to provide leak proof sealing

See specifications table for more details.

**NOTICE**

The information contained herein is not intended to replace the full product installation and safety information available or the experience of a trained product installer. You are required to thoroughly read all installation instructions and product safety information before beginning the installation of this product.



**Buttress thread design — Provides greater security**



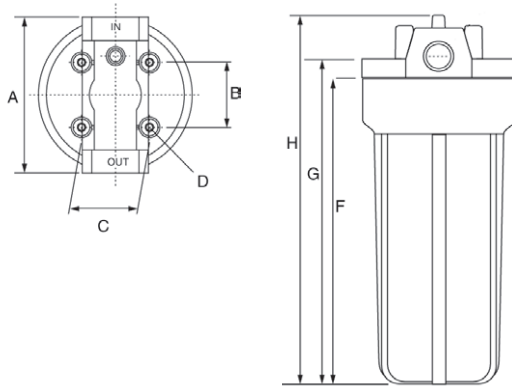
**Heavy-duty construction — Housings are made entirely of the highest quality grade polypropylene**

**⚠ WARNING**  
 Do not use with water that is microbiologically unsafe or of unknown quality without adequate disinfection before or after the system.

Watts product specifications in U.S. customary units and metric are approximate and are provided for reference only. For precise measurements, please contact Watts Technical Service. Watts reserves the right to change or modify product design, construction, specifications, or materials without prior notice and without incurring any obligation to make such changes and modifications on Watts products previously or subsequently sold.



## Dimensions



HOUSING TYPE	SIZE		DIMENSIONS												
	in.	in.	mm	in.	mm	in.	mm	in.	mm	in.	mm	in.	mm	in.	mm
Standard	5	4.28	108	1.57	40	1.18	30	0.16	4	5.7	145	7	178	7.5	191
Standard	10	4.72	120	1.57	40	1.18	30	0.16	4	10.5	267	11.0	279	11.8	300
Standard	20	4.72	120	1.57	40	1.18	30	0.16	4	20.47	520	21.26	540	22.8	579
High Temp	10	5.35	136	2.22	56	2.28	58	0.23	6	10.43	265	11.49	292	12.5	318
High Temp	20	5.35	136	2.22	56	2.28	58	0.23	6	20.47	520	21.26	540	22.8	579
Commercial	10	5.35	136	2.22	56	2.28	58	0.23	6	10.43	265	11.49	292	12.5	318
Commercial	20	5.35	136	2.22	56	2.28	58	0.23	6	20.47	520	21.26	540	22.8	579
Full Flow (FF)	10	7.28	186	3.03	77	3.03	77	0.275	7	11.33	288	11.57	294	14.0	356
Full Flow (FF)	20	7.28	186	3.03	77	3.03	77	0.275	7	21.25	540	21.65	550	24.0	25



**Full Flow (FF) Series**  
(10" and 20")



**High Temp**  
(10" and 20")



**Blue/Black**  
(10" and 20")



**Clear**  
(10" and 20")

## Specifications

Material, sumps & caps	High grade polypropylene.
Material, o-rings	EPDM is standard; Viton is available as a spare part.
Maximum temperature (standard)	100°F (37.8°C)
Maximum temperature (high temp)	200°F (93°C)
Maximum temperature (full flow) and (valve in head)	100°F (37.8°C)
Minimum temperature	40°F (4°C)
Maximum pressure (standard)	100psi (6.9 bar)
Maximum pressure (full flow)	100psi (6.9 bar)
Maximum pressure (valve in head)	100psi (6.9 bar)
Burst test	Tested to 500psi. (150,000 cycles from 0 to 125psi)

## Individually Boxed Plastic Housings in Master Cartons

MODEL NO.	ORDERING CODE	SIZE	PIPE	TYPE	SUMP	CAP	CASE QTY.
PWHIB34VIH	7100267	10"	3/4"	Valve-In-Head	Clear	White	4
PWHIB10FF	7100268	10"	1"	Full Flow (FF)	Blue	Black	4
PWHIB10FFCL	7100516	10"	1"	Full Flow (FF)	Clear	Black	4
PWHIB20FF	7100269	20"	1"	Full Flow (FF)	Blue	Black	4

\*Complete with housing, wrench, bracket and mounting screws



PWHIB10FF

## Individually Boxed Plastic Housing with Filter Cartridge in Master Cartons

MODEL NO.	ORDERING CODE	SIZE	PIPE	TYPE	SUMP	CAP	CASE QTY.
PWHIB10FFC**	7100659	10"	1"	Full Flow (FF)	Blue	Black	4

\*\* Complete with housing, wrench, bracket, mounting screws and 5 micron pleated cartridge.  
For additional information on pleated filter cartridges, access online literature ES-WQ-PWPL



PWHIB10FFC

## Poly Filter Housing

MODEL NO.	ORDERING CODE	SIZE	PIPE	SUMP	CAP	# CASE
-----------	---------------	------	------	------	-----	--------

### White Housings

PWHP512W	7100589	5"	1/2"	White	White	12
----------	---------	----	------	-------	-------	----

### Clear Housings

PWHP1014CPR	7100271	10"	1/4"	Clear	White PR	4
PWHP1012CPR	7100273	10"	1/2"	Clear	White PR	4
PWHP1034CPR	7100275	10"	3/4"	Clear	White PR	4
PWHP10FF1CPR	7100284	10"	1"	Clear	Black PR	4
PWHP20FF1CPR	7100285	20"	1"	Clear	Black PR	4

### 10" Residential Housings

PWHP1014BPR	7100277	10"	1/4"	Blue	Black PR	4
PWHP1012BPR	7100279	10"	1/2"	Blue	Black PR	4
PWHP1034BPR	7100281	10"	3/4"	Blue	Black PR	4

### 20" Residential Housings

PWHP2012BPR	7100283	20"	1/2"	Blue	Black PR	6
-------------	---------	-----	------	------	----------	---

### 10" Commercial Housings

PWHP10COM34CPR	7100668	10"	3/4"	Clear	6	6
PWHP10COM34BPR	7100669	10"	3/4"	Blue	6	6

### 20" Commercial Housings

PWHP20COM34CPR	7100644	20"	3/4"	Clear	6	6
PWHP20COM34BPR	7100670	20"	3/4"	Blue	6	6

### 10" Full Flow Housings

PWHP10FF34BPR	7100286	10"	3/4"	Blue	Black PR	4
PWHP10FF1BPR	7100288	10"	1"	Blue	Black PR	4
PWHP10FF15BPR	7100290	10"	1 1/2"	Blue	Black PR	4

### 20" Full Flow Housings

PWHP20FF34BPR	7100291	20"	3/4"	Blue	Black PR	4
PWHP20FF1BPR	7100293	20"	1"	Blue	Black PR	4
PWHP20FF15BPR	7100295	20"	1 1/2"	Blue	Black PR	4

### High Temp Housings (200°F / 93°C)

PWHPHT1034	7100296	10"	3/4"	Red	Red	4
PWHPHT2034	7100297	20"	3/4"	Red	Red	4

MODEL NO.	ORDERING CODE	SIZE/TYPE	# CASE
<b>Mounting Brackets - includes housing mounting screws</b>			
PWMBVIH	7300605	Brkt, VIH Housing	1
PWMBSTD1	7100463	Single, 10" & 20" Residential Housings	1
PWMBSTD2	7100464	Double, 10" & 20" Residential Housings	1
PWMBSTD3	7100465	Triple, 10" & 20" Residential Housings	1
PWMBCOM1	7300808	Single 10" & 20" Commercial Hsg	1
PWMBFF1	7100466	Single, 10" & 20" Full Flow Housing	1
PWMBFF2	7100467	Double, 10" & 20" Full Flow Housing	1
PWMBFF3	7100468	Triple, 10" & 20" Full Flow Housing	1

### Wrenches

PWWRSTDHSG	7100298	Wrench for Residential Housings	1
PWWRFFHSG	7100299	Wrench for Full Flow Housing	1
PWWRHTHSG	7300618	Hi Temp Housing Wrench	1
PWWRCOM	7300806	Wrench for Commercial Housing	1
PWWRDUAL	7100300	Dual Wrench for Membrane and Residential Filter Housings	1

### Mounting Screws

PWMSSTDHSG	7300393	Mounting Screws for standard Housings	1
PWMSFFHSG	7300395	Mounting Screws for Full Flow Housings	1
PWMSCOMHSG	7300809	Mounting Screws for Commercial Housings	1

### O-Rings

PWORSTDHSG	7300397	O-Ring for standard housings	1
PWORFFHSG	7300398	O-Ring for Full Flow housings	1
PWORHTHSG	7300399	O-Ring for high temp housings	1
PWORCOMHSG	7300807	O-Ring for Commercial Housings	1



USA: T: (800) 224-1299 • F: (978) 794-1848 • Watts.com/PureWater  
 Canada: T: (905) 332-4090 • F: (905) 332-7068 • Watts.ca/PureWater  
 Latin America: T: (52) 81-1001-8600 • Watts.com/PureWater