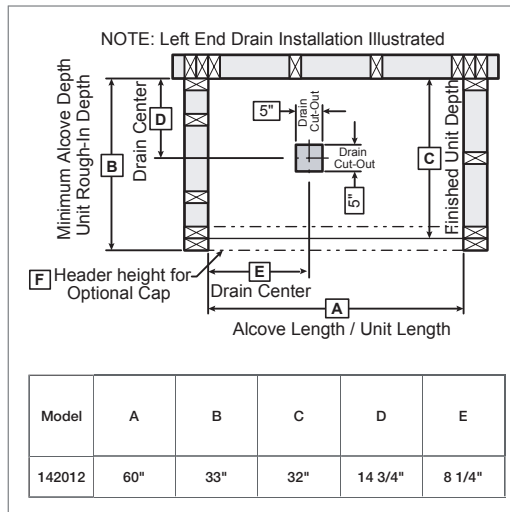


TECHNICAL SPECIFICATIONS

KDTS 3260

MODEL NUMBER 142012

DIMENSIONS: 59 7/8" x 32" x 79 1/4" Gelcoat



STANDARD FEATURES

- Four-piece gelcoated fiberglass tub-shower with PIN system for easy front installation
- Large top corner shelves, wide soap dish and standard acrylic handle (opt. metallic finishes)
- Right or left-hand drain
- Textured floor
- Optional unique features: Reinforced walls and grab bars
- Bottom bathing well: 44 1/8" L x 21 5/8" W
- 14 3/8 deep sump

UNIQUE FEATURES

- PIN system

OPTIONS

- In-line heater (factory-installed)
- Pump position opposite standard position
- Pre-assembled unit
- Back Wall reinforcement
- Left Wall reinforcement
- Right wall reinforcement

SYSTEMS

- Homestead

DOOR SELECTION

Combine with AKER's complete shower door offering visit www.akerbymaax.com

CERTIFICATIONS

AKER products adhere to one or more of the following certifications:



Project :

Contractor :

AKER Representative : Tel :

Date :

TECHNICAL SPECIFICATIONS

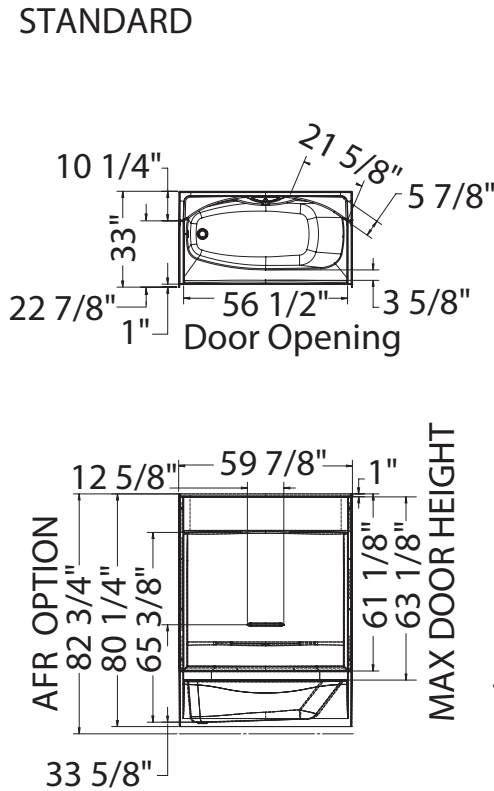


KDTS 3260

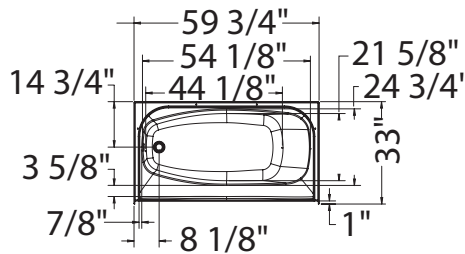
MODEL NUMBER 142012

TECHNICAL DRAWINGS

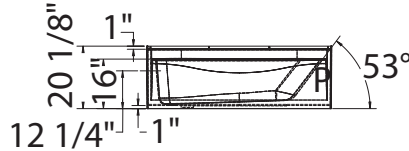
STANDARD



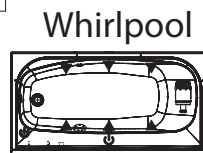
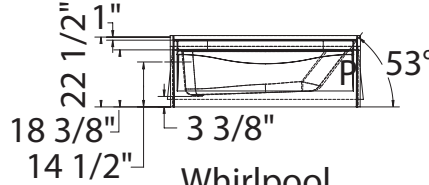
NO SYSTEM



NOT ABOVE-THE-FLOOR

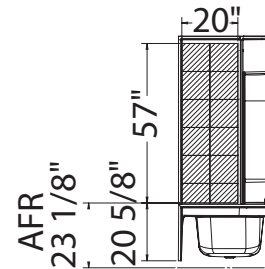


ABOVE-THE-FLOOR

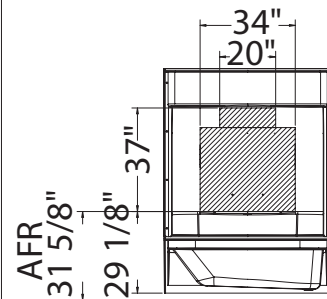


REINFORCEMENT BACKING

OPTION 20212-L Shown
OPTION 20212-R Symetrical

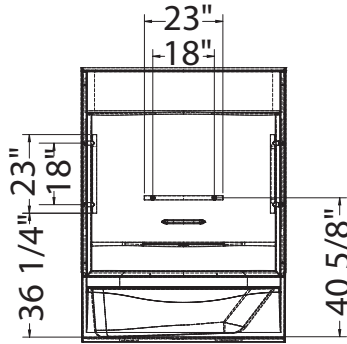


OPTION 20212-B

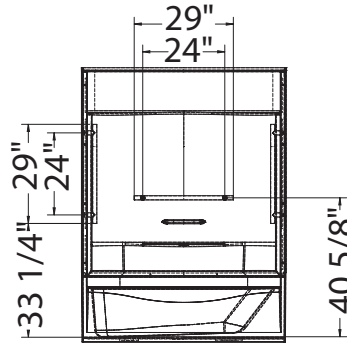


GRAB BARS

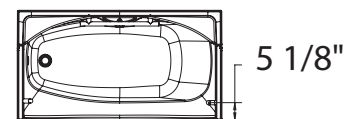
OPTION 20203



OPTION 20204



OPTION 20203-20204



(▲): Indicates Whirlpool jets positioning
(△): Indicates suction positioning
All dimensions are approximate. Structure measurements must be verified against the unit to ensure proper fit.