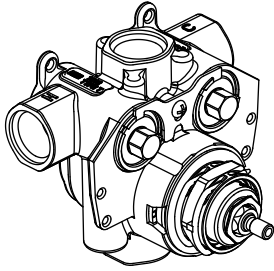


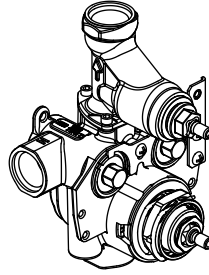
# Installation and Care Guide

## Thermostatic Mixing Valve

K-2972, K-2975



K-2973, K-2976



**M** product numbers are for Mexico (i.e. K-12345**M**)  
Los números de productos seguidos de  
**M** corresponden a México (Ej.  
K-12345**M**)  
Français, page "Français-1"  
Español, página "Español-1"

THE BOLD LOOK  
OF **KOHLER**®

1205551-2-C

# IMPORTANT INSTRUCTIONS

## READ AND SAVE FOR THE CONSUMER



**WARNING:** Risk of scalding or other severe injury.



**CAUTION:** Risk of scalding hazard. This device has been calibrated at the factory to ensure a safe maximum water temperature. Any variance in settings or water inlet conditions from those used during factory calibration may raise the discharge temperature above the safe limit, and may present a scalding hazard.

- Before completing installation, the installer must set the maximum water temperature setting of this valve to minimize the risks associated with scalding hazards according to ASTM F 444.

**The installer is responsible for adjusting the maximum water temperature of this valve according to instructions.**

**This valve meets or exceeds ASME A112.18.1/CSA B125.1 and ASSE 1016/ASME A112.18.1016/CSA B125.16.**

If you do not understand any of the temperature adjustment instructions in this document, in the United States please contact our Customer Care Center at **1-800-4KOHLER**. Outside the U.S., please contact your distributor.

**IMPORTANT NOTICE:** Please fill in the blanks on the valve label and below, in the NOTICE TO HOMEOWNERS box. Retain this guide for future reference.

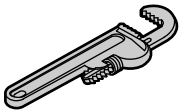
- The valve is calibrated to 104°F (40°C) at the first stop position, and the maximum temperature limit stop is positioned so the outlet water temperature does not exceed 120°F (49°C).
- Factory calibrated inlet conditions are:  
Hot and cold water pressure = 43.5 psi (300 kPa)  
Hot water supply temperature = 149°F (65°C)  
Cold water supply temperature = 59°F (15°C)
- If inlet conditions differ from those used during factory calibration, it may be necessary to re-calibrate the valve after installation. **The installer must check the mixed flow temperature after installation, and adjust the valve as needed according to the instructions.**

## IMPORTANT INSTRUCTIONS (cont.)

**NOTICE TO HOMEOWNERS!** This device has been preset by \_\_\_\_\_ of \_\_\_\_\_ to ensure a safe maximum temperature. Any change in the setting may raise the discharge temperature above the limit considered safe, and lead to scalds.

Date: \_\_\_\_\_

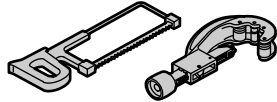
### Tools and Materials



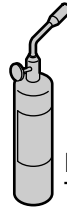
Pipe Wrench



Adjustable Wrench



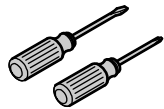
Hacksaw or Tubing Cutter



Propane Torch



Solder



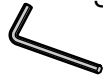
Assorted Screwdrivers



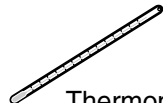
Strap Wrench



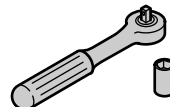
Thread Sealant



10 mm Hex Wrench



Thermometer



Wrench and 1/2" (13 mm) Hex Socket

### Before You Begin



**WARNING: Risk of scalding.** High water temperature can cause severe burns. Set the water temperature at or below 120°F (49°C) following the adjustment procedure.



**WARNING: Risk of scalding or other severe injury.** Before completing installation, the installer must set the maximum water temperature setting of this valve to minimize the risks associated with scalding hazards according to ASTM F 444.



**CAUTION: Risk of personal injury.** If the water temperature is set too high, scalding will occur. The water temperature should never be set above 120°F (49°C).



**CAUTION: Risk of scalding.** This device has been calibrated at the factory to ensure a safe maximum water temperature. Any variance in settings or water inlet conditions from those used during factory calibration may raise the discharge

## Before You Begin (cont.)

temperature above the safe limit, and may present a scalding hazard. Responsibility for installation and adjustment of this device in accordance with these instructions lies with the installer.

**NOTICE: Risk of product damage.** This valve contains plastic and rubber components. Do not sweat or braze directly to the valve body. Do not apply excessive heat to the valve body when you make solder connections. Do not apply flux or acids directly to the valve, as damage to the seals, plastic components, and trim finish may result.

**NOTICE: Risk of product damage.** Do not apply petroleum-based lubricants to the valve components, as damage may result.

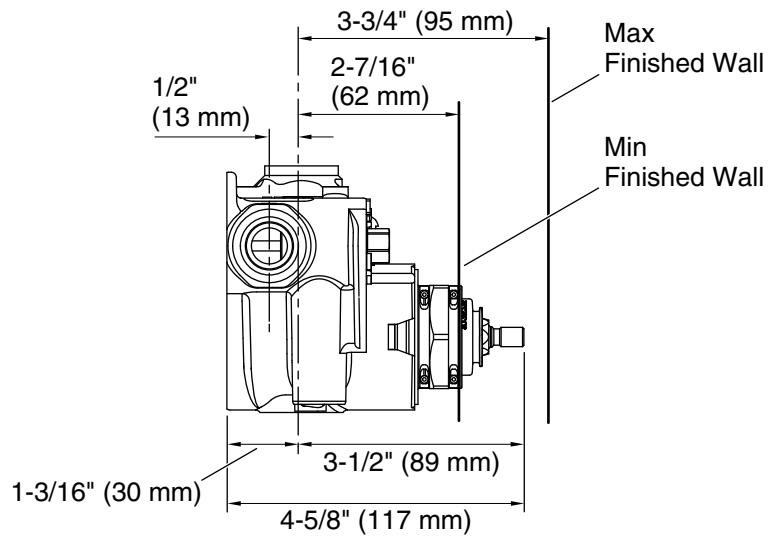
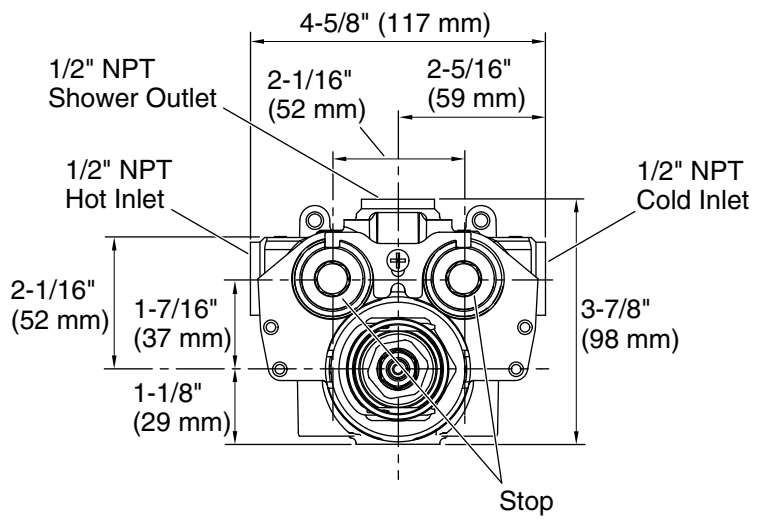
**NOTICE: Risk of product damage.** Inlet and outlet threaded joint connections should be made with plumbers PTFE tape or liquid sealant. Oil-based, non-setting compounds should not be used.

**NOTICE:** Do not force the handle in any direction. Forcing the handle will damage the valve.

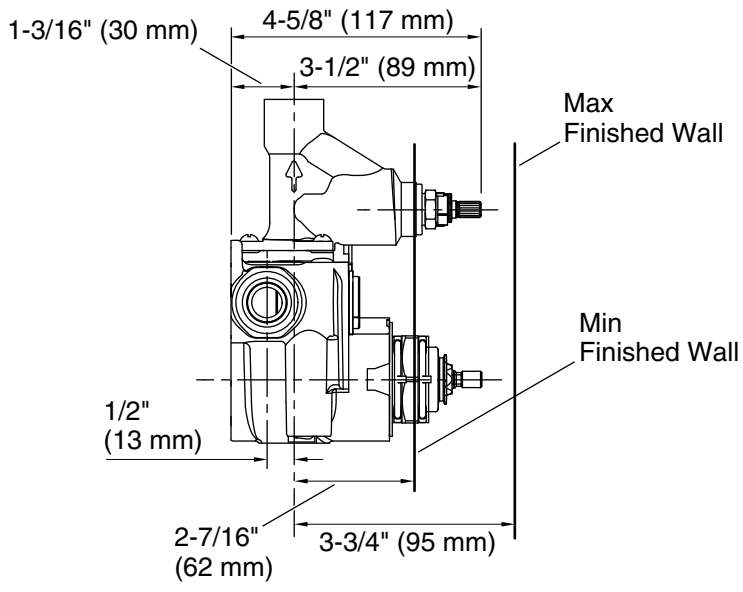
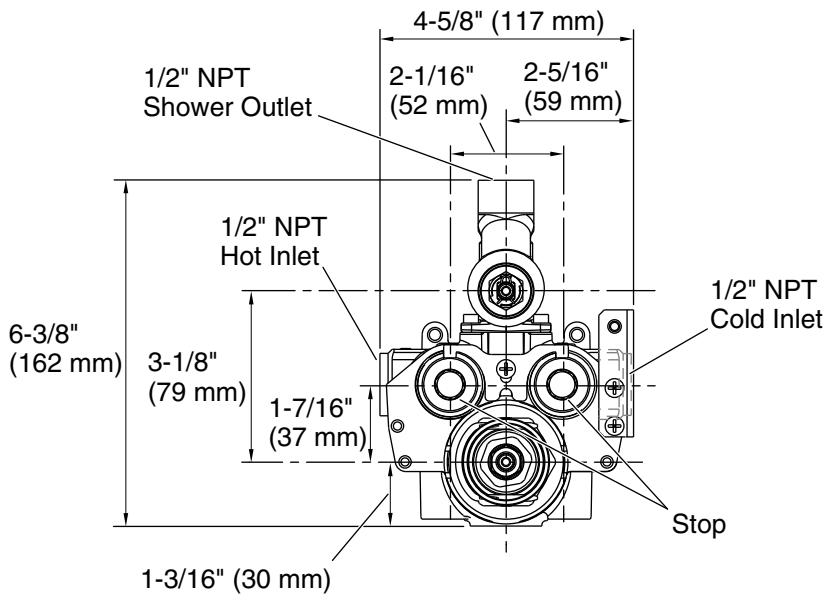
- Observe all local plumbing and building codes.
- Shut off the water supply.
- Inspect the supply piping for damage. Replace as necessary.
  
- The bottom port of the thermostatic mixing valve is intended for use as a bath filler only. If a bath spout is not used with this product, cap the bottom port.
- The K-2972 and K-2975 thermostatic mixing valves do not contain an integral volume control/shut-off valve. You must install a separate volume control/shut-off valve (K-2974 or K-2977) downstream of any used valve outlet.
- The K-2973 and K-2976 thermostatic mixing valves contain a single volume control/shut-off valve for controlling the water flow through the shower outlet. When plumbing to the valve's bath outlet, you must install a separate volume control shut-off valve (K-2974 or K-2977) downstream from the bath outlet.

### Before You Begin (cont.)

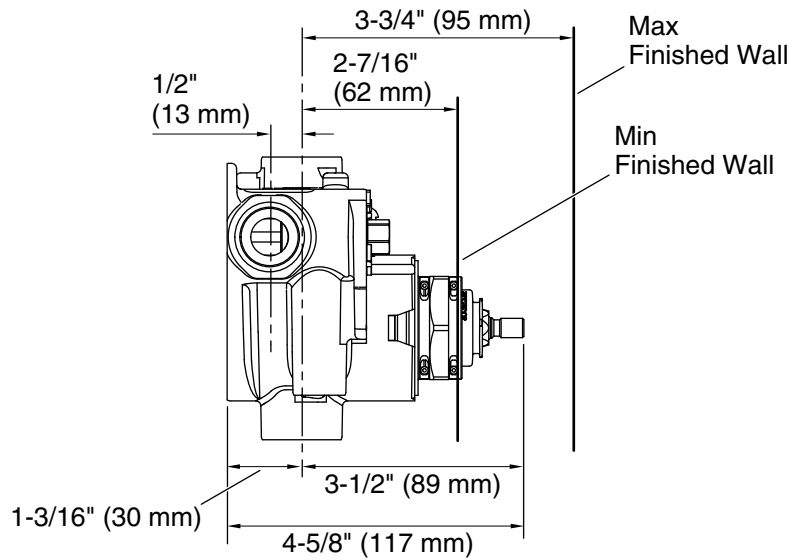
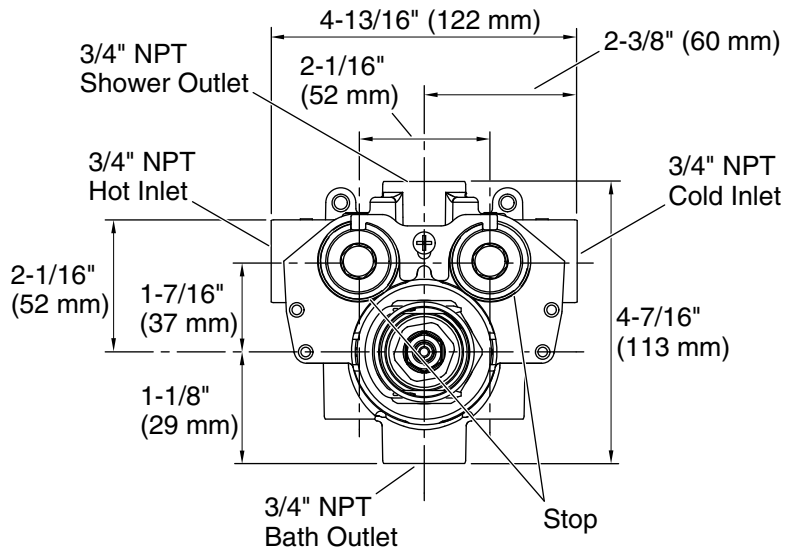
- The thermostatic mixing valves do not have an integral aspirator. For installations that use a bath diverter spout, you must install a twin ell (K-9663) with integral aspirator between the valve and the bath spout. If these thermostatic mixing valves are installed without an aspirator, it will cause water to flow from the shower and bath spout at the same time.
- Determine the correct drain size and capacity for your installation. If two thermostatic mixing valves are used together, water volumes between 18 and 30 gal/min (60 and 114 l/min) or more are possible, depending upon the water supply pressure.
- Determine the correct water heater size and capacity for your installation. A typical shower installation uses an approximate mix of 75% hot water and 25% cold. A custom shower application using three 2.5 gal/min (9.5 l/min) showerheads can use about 45 gallons (170 liters) of hot water in 8 minutes. Choose a water heater large enough for your installation.
- The valve is calibrated to 104°F (40°C) at the first stop position. The maximum temperature limit stop is positioned so the outlet water temperature does not exceed 120°F (49°C).
- The factory calibrated pressure for hot and cold water inlets is 43.5 psi (300 kPa). The factory calibrated hot water supply temperature is 149°F (65°C) and the cold water supply temperature is 59°F (15°C).
- If the inlet conditions differ from those used during factory calibration, it may be necessary to re-calibrate the valve after installation. **The installer must check the mixed flow temperature after installation and adjust the valve as needed according to the instructions.**
- If possible, flush all piping thoroughly before installing the valves to prevent early clogging of filter screens.



**K-2972 - 1/2" Valve Roughing-In**

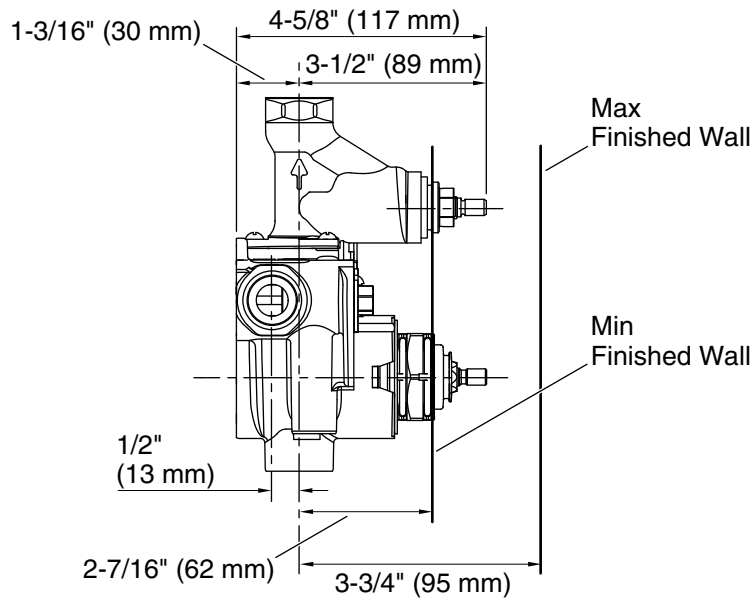
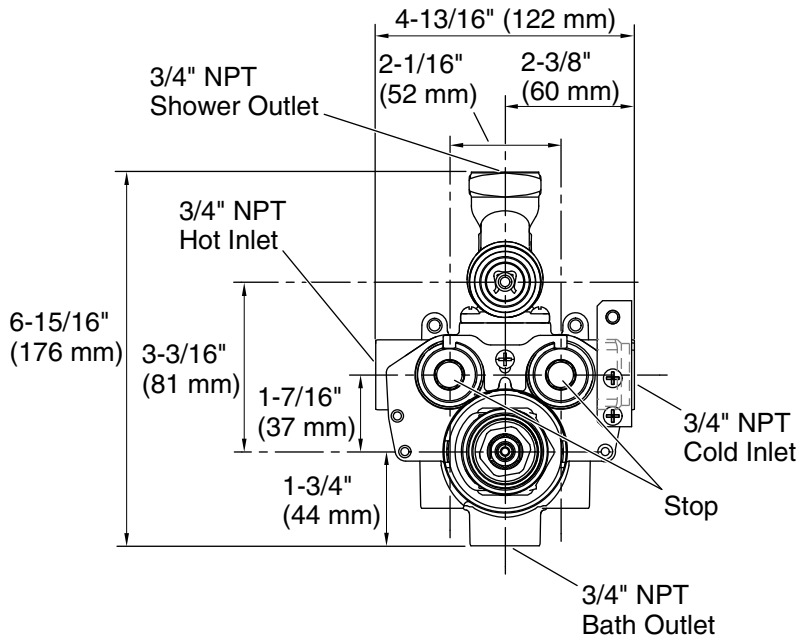


**K-2973 - 1/2" Valve Roughing-In**

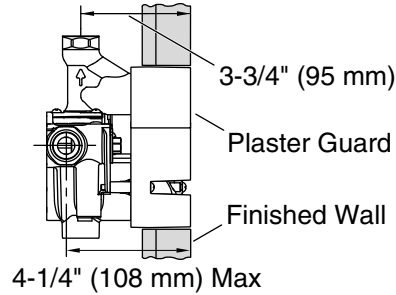
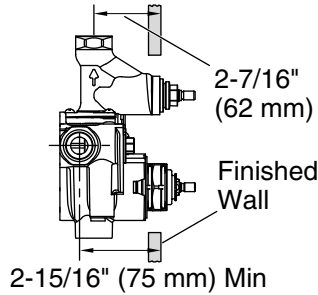
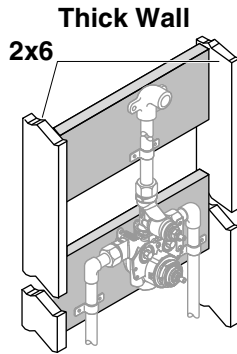
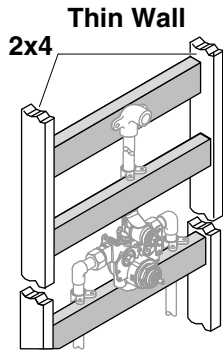


**K-2975 - 3/4" Valve Roughing-In**





**K-2976 - 3/4" Valve Roughing-In**



## 1. Install the Support Framing

**IMPORTANT!** Make sure the valve is mounted at the correct depth so it will be properly positioned when the finished wall is installed.

**NOTE:** Shower only configuration is shown. Adjust the support as needed for other configurations.

**NOTE:** Install a backer board behind the valve for installations on 2x6 studding only.

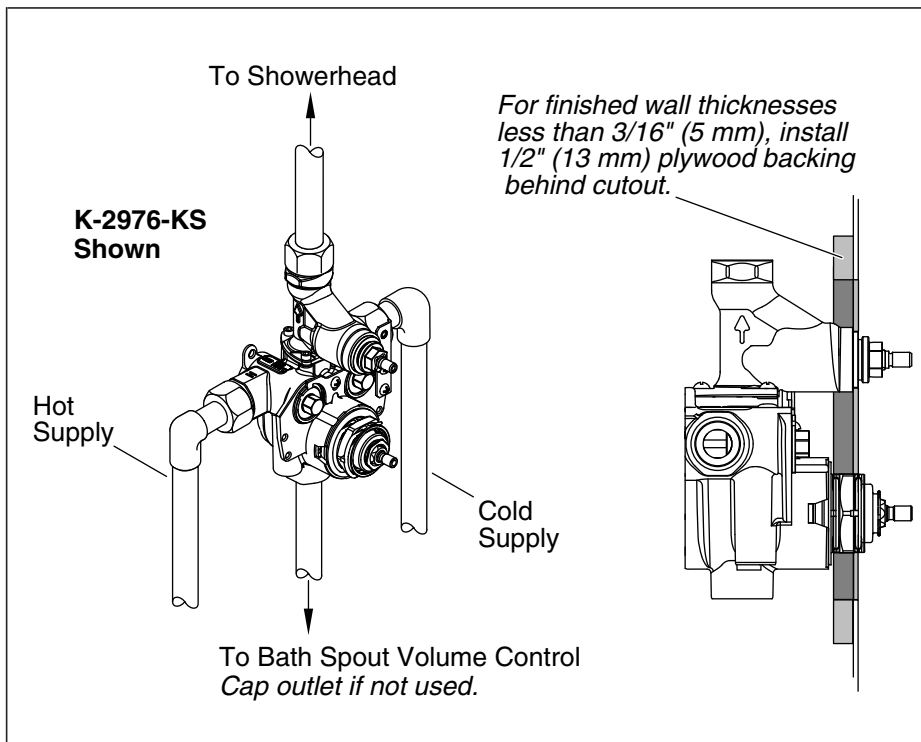
**NOTE:** A backer board may not fit behind the valve for installations on 2x4 studding. Support the pipes directly above and/or below the valve. This will also provide support for the valve.

**NOTE:** When installing the K-2972 or K-2973 valve, use 1/2" nominal copper tubing and fittings throughout this installation. Smaller diameter piping upstream or downstream of the valve will reduce performance of the valve.

### **Install the Support Framing (cont.)**

**NOTE:** When installing the K-2975 or K-2976 valve, use 3/4" nominal copper tubing and fittings throughout this installation. Smaller diameter piping upstream or downstream of the valve will reduce performance of the valve.

- Determine the desired location for the valve according to the roughing-in information, and construct suitable stud and support framing for your configuration and valve.
- If the finished wall is drywall, 1/2" (13 mm) drywall or thicker should be used or the finished wall will not be strong enough.
- Determine the finished wall thickness. The finished wall should not extend beyond the outside edge of the plaster guard. The valve can be mounted with the plaster guard flush with the finished wall for maximum wall thickness. If the plaster guard is recessed, the finished wall is too thick. Refer to the diagram above.
- Install water hammer arrestors in the hot and cold water supply lines.
- Determine the desired location for the valve according to the roughing-in information, and construct suitable stud and support framing.



## 2. Install the Valve

**NOTICE: Risk of product damage.** This valve contains plastic and rubber components. Do not sweat or braze directly to the valve body. Do not apply excessive heat to the valve body when you make solder connections. Do not apply flux or acids directly to the valve, as damage to the seals, plastic components, and trim finish may result.

**NOTICE: Risk of product damage.** Do not apply petroleum-based lubricants to the valve components, as damage may result.

**NOTICE: Risk of product damage.** Inlet and outlet threaded joint connections should be made with plumbers PTFE tape or liquid sealant. Oil-based, non-setting compounds should not be used.

**NOTE:** A plaster guard is attached to the face of the mixing valve. Do not remove it until instructed.

- Flush the hot and cold water supply lines to remove any debris.
- Use thread sealant and connect the hot and cold water supply lines to the valve inlet ports. Ensure that the corresponding water supply lines are connected to the correct inlet ports.

### **Install the Valve (cont.)**

**NOTE:** If the existing hot and cold plumbing makes this configuration inconvenient or if it is advantageous to reverse the hot and cold ports (such as back-to-back installations), see the "Reverse the Inlet Supplies" section.

- For K-2973 and K-2976 valves, make certain that the integral volume control/shut-off valve portion of the assembly is on top when installed.
- Connect the water outlet lines to the valve ports. Plug any unused outlet port.

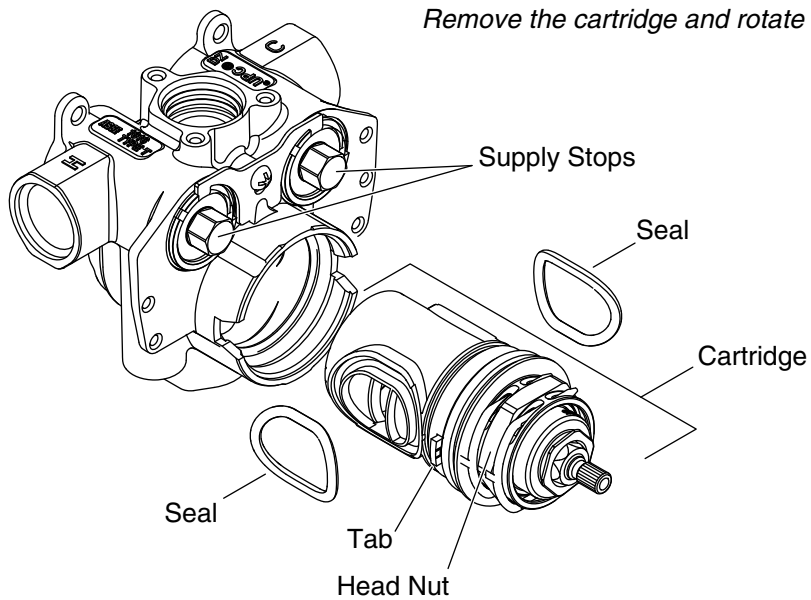
**IMPORTANT!** Secure the piping to the framing.

**NOTE:** When using the plaster guard to trace the cut-out, the tick marks located outside of the guard will assist you in identifying the spline centers.

- Use the plaster guard to determine the depth of the valve in the wall, and to trace the cut-out line in the wall material.

**NOTE:** The finished wall must be within the MIN-MAX depth shown on trim adapters 1, 2, and 3 of the plaster guard.

- Turn on the water supply lines to the valves.
- Run water through the mixing valve, all showers, and the spout.
- Remove the plaster guard to access and inspect the valve.



### 3. Reverse the Inlet Supplies

**IMPORTANT!** The steps in this section are optional. Only perform these steps when the hot and cold inlet supplies are reversed.

The inlet connections are indicated on the inlet ports of the thermostatic valve assembly. Left is HOT and right is COLD. If this configuration is not suitable for your installation, the cartridge may be rotated 180° to reverse the hot and cold inlet ports.

**NOTE:** DO NOT pull the removal clip from the cartridge assembly at any time during this procedure. The retaining clip helps hold the temperature limit stop and detent components in place and reduces or eliminates the need for temperature adjustments.

With the valve already installed and pressurized:

- Turn both integral supply stops 90° counterclockwise until they contact the stop bracket.
- Turn the volume control valve stem (not shown) fully clockwise to release the pressure.
- Slowly loosen the head nut, turning it counterclockwise. This will begin to draw the cartridge out of the valve body.

### Reverse the Inlet Supplies (cont.)

**NOTE:** Some water may be released. Use a bucket and towels to contain the water.

- Pull the head nut with the cartridge out of the valve body.

**NOTE:** Two seals may fall out when the cartridge is removed. Set the seals aside.

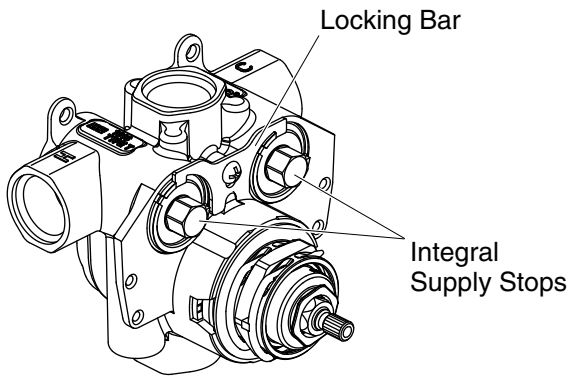
- Rotate the cartridge 180°.
- Verify the cold cartridge inlet is on the left when the valve stem adapter is facing you.

**NOTE:** The hot and cold cartridge inlets are identified on the top and sides of the cartridge tabs. The tabs are labeled "H" and "C" to identify hot and cold.

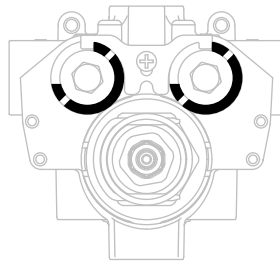
**TIP:** Rotating the cartridge back and forth or installing with a push-pull motion will reduce the possibility of pinching the side seals.

- Reinstall the seals onto each side of the cartridge.
- Carefully push the cartridge back into the valve body. Make sure both cartridge tabs are properly seated inside the cartridge slots of the valve body.
- Handtighten the head nut onto the valve body. **Do not overtighten.**
- Return the integral supply stops back to their original position.
- Make note of reversed inlet supplies on the valve for future servicing.

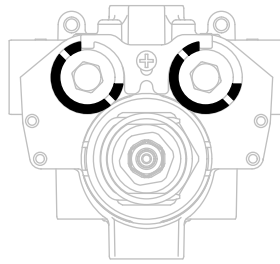
Turn integral supply stops 90°  
for OPEN/CLOSE.



**Supplies Closed**



**Supplies Open**



### Integral Supply Stop Operation

**NOTE:** Use a socket wrench with 1/2" (13 mm) socket to adjust the stops.

#### Turn Off the Stops

- Use a socket wrench to turn the integral stops 90° counterclockwise to close both the hot and cold water inlet supplies.

**NOTE:** If the inner body turns, but the outer ring does not turn, firmly tighten (clockwise) the integral stop. Then rotate counterclockwise. The outer ring should then turn with the integral stop.

**NOTE:** If the outer ring still does not turn, slide the locking bar up by loosening the screw. Free the integral stops by turning them clockwise and then turn them back to their original position. Slide the locking bar back in place and secure with the screw.

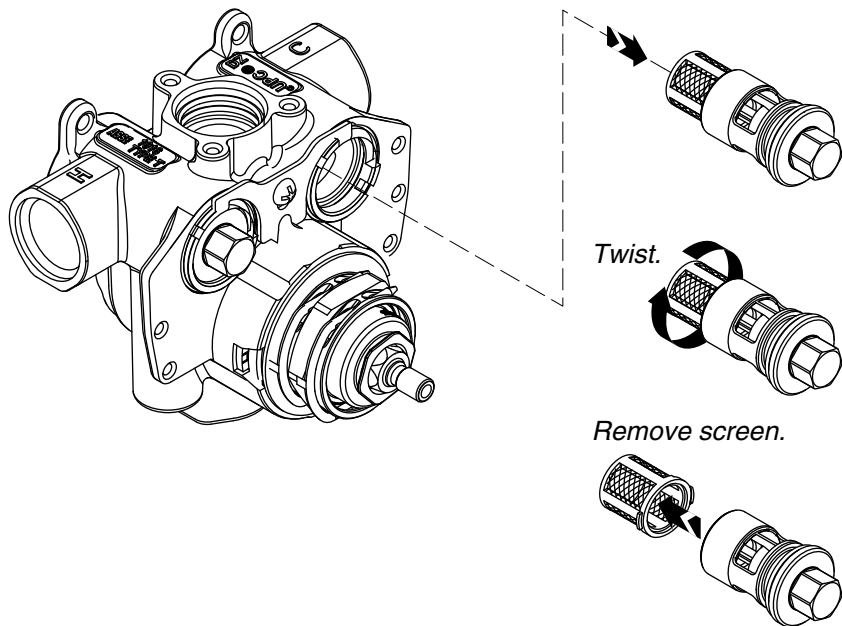
- Confirm the stops are closed using the diagram above.
- Turn the volume control counterclockwise to release excess water (not shown).



**Integral Supply Stop Operation (cont.)**

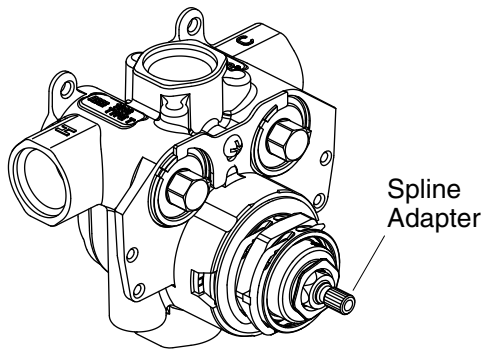
- The cartridge or check valves may now be removed for servicing or replacement.

**NOTE:** Keep a rag handy to catch excess water that will gradually drain when the valve cartridge is removed.

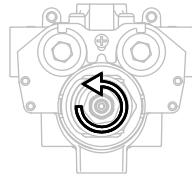


### Servicing the Filters

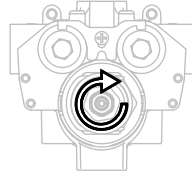
- Remove the trim.
- Close both stops following the instructions in the previous section.
- Use a socket wrench with 1/2" (13 mm) socket to remove the stop assembly (hot is left side, cold is right side).
- Remove the screen assembly by turning and pulling from the check valve body.
- Clean or replace the screen assembly as needed.
- Clean or replace the check valve body as needed.
- Reinstall the screen assembly to the check valve body by pushing in and turning 90°.
- Reinstall the check valve body by turning clockwise until it drives the stop body open.
- Open the supply stops and check for leaks.
- Reinstall the trim.



#### Increase Temperature



#### Decrease Temperature



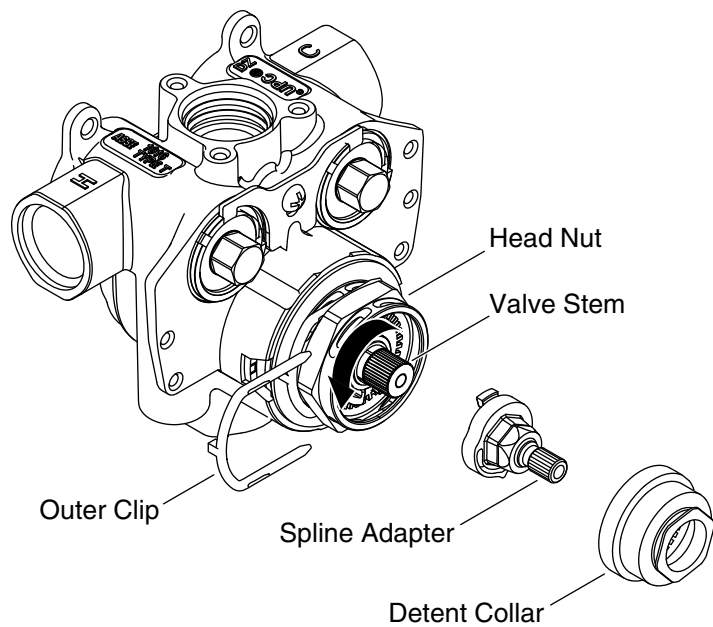
### Check the Temperature Setting

**NOTE:** The thermostatic valve cartridge is calibrated at the factory for a shower temperature of approximately 104°F (40°C) to 105°F (41°C) and a maximum hot temperature of 120°F (49°C).

- Turn the water on.
- Attach a trim handle or plaster guard (found in volume control valve K-2974 or K-2977 or transfer valve K-728) onto the valve spline adapter.
- Turn the spline adapter fully counterclockwise so the trim handle or plaster guard can no longer move. The spline adapter is now in the full hot position.
- Allow the water to run for several minutes to stabilize the water supply temperatures.
- Position a thermometer in the water stream to check the temperature of the hot water.
- If the water temperature exceeds 120°F (49°C) or is less than desired, proceed to the "Adjust the Hot Temperature Limit" section.
- Turn the trim handle or plaster guard clockwise until you hear a click. Do not turn any further. This is the shower temperature position.
- Remove the trim handle or plaster guard from the valve spline adapter.

**Check the Temperature Setting (cont.)**

- Position a thermometer in the water stream to check the shower temperature.
- If the water temperature is less than 104°F (40°C) to 105°F (41°C) or is more than desired, proceed to the "Adjust the Shower Temperature" section.
- If both settings are correct, fill out the "NOTICE TO HOMEOWNERS" section in the beginning of this document.

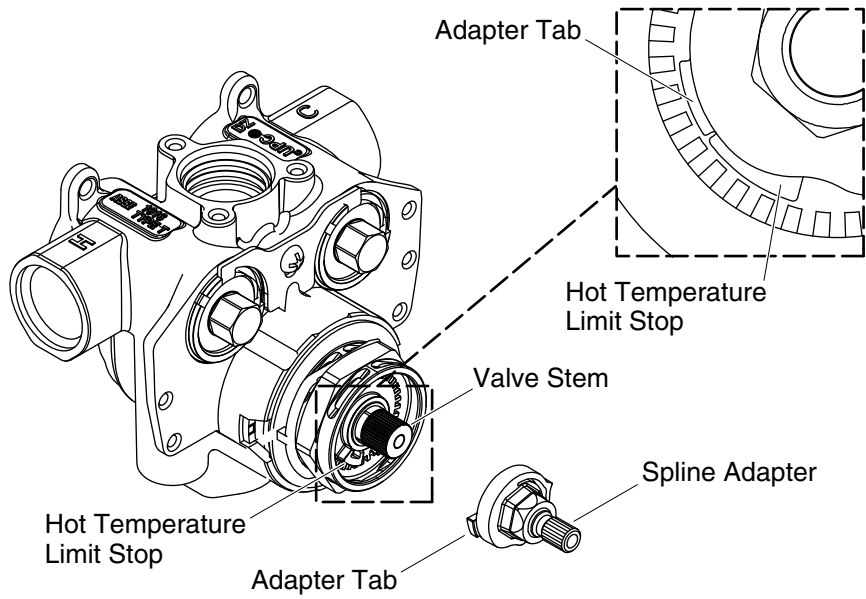


### Adjust the Hot Temperature Limit

- Remove the outer clip from the head nut.
- Remove the detent collar.
- Remove the spline adapter.

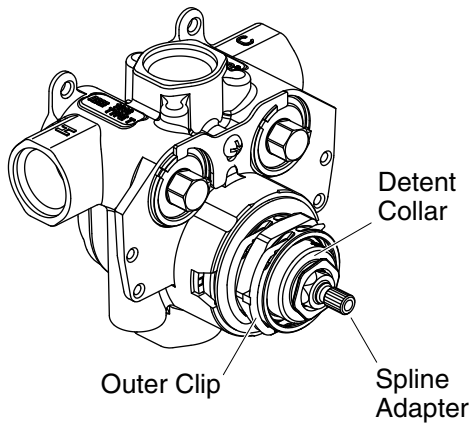
**NOTE:** Keep the detent collar off while making adjustments.

- Turn the valve stem fully counterclockwise.
- Using the volume control valve (not shown), turn on the water.
- Allow the water to flow for several minutes until the water temperature stabilizes.

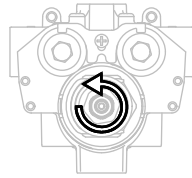


### Adjust the Hot Temperature Limit (cont.)

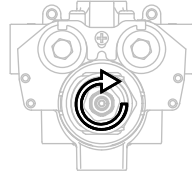
- Using a thermometer, check the temperature of the water.
- Turn the valve stem clockwise until the water temperature reaches 120°F (49°C).
- Reinstall the spline adapter with the adapter tab positioned flush with the hot temperature limit stop on the cartridge.
- Using the volume control valve (not shown), turn off the water.



#### Increase Temperature



#### Decrease Temperature



### Adjust the Shower Temperature

- **If the detent collar is installed:** Remove the outer clip and disengage the detent collar from the teeth of the cartridge. Do not remove the collar; allow it to hang from the cartridge.
- **If the detent collar is not installed:** Loosely position the detent collar over the cartridge, ensuring the collar does not engage the cartridge teeth.
- Place the trim handle (not shown) or plaster guard (not shown) onto the valve spline adapter.
- Turn the spline adapter fully counterclockwise so the trim handle or plaster guard can no longer move. The spline adapter is now in the full hot position.
- Remove the trim handle or plaster guard from the valve spline adapter.
- Using the volume control valve (not shown), turn on the water.
- Allow the water to flow for several minutes until the water temperature stabilizes.
- Hold a thermometer in the water stream to check the water temperature.
- Once the water temperature reaches the set hot temperature limit (section "Adjust the Hot Temperature Limit") begin slowly rotating the detent collar and spline adapter clockwise.

## Adjust the Shower Temperature (cont.)

**NOTE:** While rotating the detent collar, small in-and-out adjustments will be required to ensure the collar does not engage the cartridge teeth. Use the detent collar to rotate the spline adapter.

- While rotating the collar and spline adapter, monitor the water outlet temperature.
- When the temperature reaches 104-105°F (40-40.5°C), push the detent collar in until it engages the teeth of the cartridge.
- With the clip tab positioned toward the valve, reinstall the clip to the head nut.
- Using the volume control valve (not shown), turn off the water.

## Troubleshooting

**NOTICE:** This section is for general aid only. For warranty service, call 1-800-4KOHLER from within the USA and Canada, or 001-800-456-4537 from within Mexico.

For service parts information, visit your product page at [www.kohler.com/serviceparts](http://www.kohler.com/serviceparts).

Symptoms	Probable Cause/Recommended Action
1. Only hot or cold water from the water outlet.	<b>A.</b> Inlet supplies are reversed. See "Reverse the Inlet Supplies" section. <b>B.</b> Check filter screens for blockage. Clear if necessary.
2. Fluctuating or reduced flow rate.	<b>A.</b> External condition variation such as reduced pressure. <b>B.</b> Check filter screens for blockage. Clear if necessary. <b>C.</b> Make sure that the minimum flow rate is sufficient for supply conditions. <b>D.</b> Make sure that dynamic inlet pressures are nominally balanced and sufficient. <b>E.</b> Make sure that inlet temperature differentials are sufficient. <b>F.</b> Service stops are not fully opened. Rotate both service stops clockwise until fully open. <b>G.</b> Check thermostatic performance; replace the thermostatic cartridge, if necessary.



<b>Troubleshooting (cont.)</b>	
<b>Symptoms</b>	<b>Probable Cause/Recommended Action</b>
3. No flow from shower control water outlet.	<p><b>A.</b> Filter screens are blocked. Clear filter screens.</p> <p><b>B.</b> Hot or cold supply failure. Replace the supply valve.</p> <p><b>C.</b> Flow control cartridge not working. Check and replace if necessary.</p> <p><b>D.</b> Service stops are shut off. Rotate both service stops clockwise until fully open.</p>
4. Blend temperature drift.	<p><b>A.</b> Indicates operating conditions have changed. No action is needed.</p> <p><b>B.</b> Refer to symptom 2.</p> <p><b>C.</b> Hot supply temperature fluctuation.</p> <p><b>D.</b> Supply pressure fluctuation.</p>
5. Hot water in cold supply or cold water in hot supply.	<p><b>A.</b> Indicates crossflow. Replace check valve.</p>
6. Maximum blend temperature setting too hot or too cold.	<p><b>A.</b> Indicates incorrect maximum temperature setting; refer to the "Adjust the Hot Temperature Limit" section.</p> <p><b>B.</b> Refer to symptom 4.</p> <p><b>C.</b> Refer to symptom 5.</p>
7. Water leaking from the valve body.	<p><b>A.</b> Seal(s) worn or damaged. Obtain service kit and replace seal(s).</p> <p><b>B.</b> If leaking from around the temperature spindle, replace the thermostatic cartridge.</p>
8. Flow knob or temperature knob is stiff to operate.	<p><b>A.</b> Impaired free movement of internal components. Replace the appropriate cartridge.</p> <p><b>B.</b> Supply pressures are too high. Fit pressure reducing valve.</p>
<b>Warranty</b>	
<b>KOHLER® Faucet Lifetime Limited Warranty</b>	
<p>Kohler Co. warrants its Faucets* manufactured after January 1, 1997, to be leak and drip free during normal residential use for as long as the original consumer purchaser owns his or her home. If the Faucet should leak or drip during normal use, Kohler Co. will, free of charge, mail to the purchaser the cartridge necessary to put the Faucet in good working condition. This warranty applies only to Kohler Faucets</p>	

## Warranty (cont.)

installed in the United States of America, Canada or Mexico ("North America").

Kohler Co. also warrants all other aspects of the faucet or accessories ("Faucet")\*, (except gold, non-Vibrant®, non-chrome finishes) to be free of defects in material and workmanship during normal residential use for as long as the original consumer purchaser owns his or her home. This warranty applies only to Kohler Faucets installed in North America. If a defect is found in normal residential use, Kohler Co. will, at its election, repair, provide a replacement part or product, or make appropriate adjustment. Damage to a product caused by accident, misuse, or abuse is not covered by this warranty. Improper care and cleaning will void the warranty\*\*. Proof of purchase (original sales receipt) must be provided to Kohler Co. with all warranty claims. Kohler Co. is not responsible for labor charges, installation, or other incidental or consequential costs. In no event shall the liability of Kohler Co. exceed the purchase price of the Faucet.

If the Faucet is used commercially or is installed outside of North America, or if the finish is gold, non-Vibrant or a painted or powder coated color finish, Kohler Co. warrants the Faucet to be free from defects in material and workmanship for one (1) year from the date the product is installed, under Kohler Co.'s standard one-year limited warranty.

If you believe that you have a warranty claim, contact Kohler Co., either through your Dealer, Plumbing Contractor, Home Center or E-tailer, or by writing Kohler Co., Attn.: Customer Care Center, 444 Highland Drive, Kohler, WI 53044, USA. Please be sure to provide all pertinent information regarding your claim, including a complete description of the problem, the product, model number, color, finish, the date the product was purchased and from whom the product was purchased. Also include your original invoice. For other information, or to obtain the name and address of the service and repair facility nearest you, call 1-800-4-KOHLER (1-800-456-4537) from within the USA and Canada, and 001-800-456-4537 from within Mexico, or visit [www.kohler.com](http://www.kohler.com) within the USA, [www.ca.kohler.com](http://www.ca.kohler.com) from within Canada, or [www.mx.kohler.com](http://www.mx.kohler.com) in Mexico.

**KOHLER CO. AND/OR SELLER ARE PROVIDING THESE WARRANTIES IN LIEU OF ALL OTHER WARRANTIES, EXPRESSED OR IMPLIED, INCLUDING BUT NOT LIMITED TO THE IMPLIED WARRANTIES OF MERCHANTABILITY AND FITNESS FOR A PARTICULAR PURPOSE. KOHLER CO. AND/OR SELLER DISCLAIM ALL LIABILITY FOR SPECIAL, INCIDENTAL OR CONSEQUENTIAL DAMAGES. Some states/provinces do not allow limitations of how long an implied warranty lasts or the**

## **Warranty (cont.)**

**exclusion or limitation of such damages, so these limitations and exclusions may not apply to you. This warranty gives the consumer specific legal rights. You may also have other rights that vary from state/province to state/province.**

**This is Kohler Co.'s exclusive written warranty.**

\*Trend® faucets, MasterShower® tower, BodySpa systems and components; WaterHaven® tower, systems and components; Tripoint® faucets, Polished Gold, non-Vibrant and painted or powder coated finishes, fittings; all items within the "Fixture Related" section of the Kohler Faucets Price Book, drains, Duostrainer® sink strainers, soap/lotion dispensers, Moxie® Wireless Speaker; and faucets used in commercial settings, and outside North America, are covered by Kohler Co.'s one-year limited warranty.

\*\*Never use cleaners containing abrasive cleansers, ammonia, bleach, acids, waxes, alcohol, solvents or other products not recommended for chrome. This will void the warranty.

# Guide d'installation et d'entretien

## Robinet mélangeur thermostatique

### INSTRUCTIONS IMPORTANTES

#### LIRE ET CONVERSER POUR LE CONSOMMATEUR



**AVERTISSEMENT:** Risque de brûlures ou d'autres blessures graves.



**ATTENTION:** Risque de brûlures. Ce dispositif a été étalonné en usine pour assurer une température maximale sécurisée. Toute variation des réglages ou des conditions d'entrée d'eau de ce qui a été utilisé en usine pendant l'étalonnage pourrait augmenter la température de refoulement au-delà de la limite sécurisée et créer des risques de brûlures.

- Avant de commencer l'installation, l'installateur doit régler la température maximale de l'eau de ce régulateur afin de réduire au minimum les risques associés aux dangers de brûlures selon la norme ASTM F 444.

**L'installateur est responsable du réglage de la température maximale de l'eau de ce robinet selon les instructions.**

**Ce robinet est conforme aux normes ASME A112.18.1/CSA B125.1 et ASSE 1016/ASME A112.18.1016/CSA B125.16.**

S'il n'est pas possible de comprendre les instructions de réglage de température dans ce document, contacter notre département du service à la clientèle aux États-Unis, **1-800-4KOHLER** En-dehors des É.-U., contacter le distributeur

**AVIS IMPORTANT:** Prière de remplir les vides sur l'étiquette du robinet et ci-dessous, dans la boîte AVIS AUX PROPRIÉTAIRES. Conserver ce guide pour référence future.

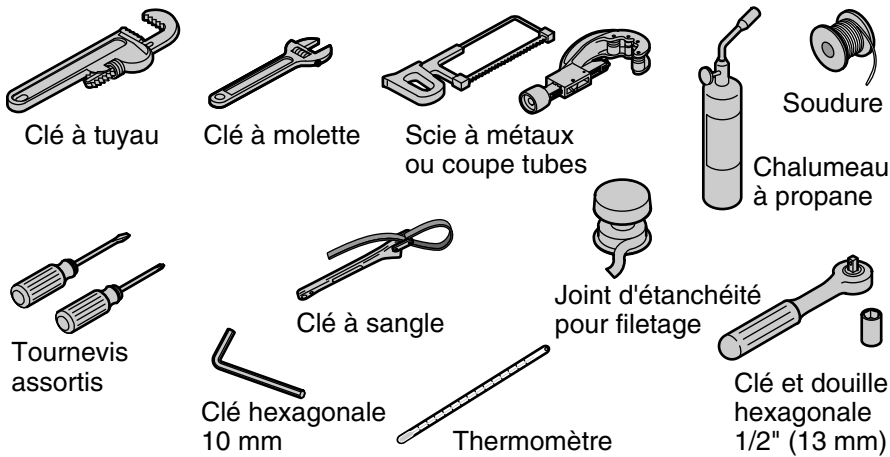
- Le robinet est étalonné à 104°F (40°C) à la première position de l'obturateur et le robinet de limite de température maximale est positionné de manière à ce que la température ne puisse dépasser 120°F (49°C).

## INSTRUCTIONS IMPORTANTES (cont.)

- Les conditions d'entrée étalonnées à l'usine sont les suivantes:  
pression de l'eau chaude et de l'eau froide = 43,5 psi (300 kPa)  
Température d'arrivée de l'eau chaude = 149°F (65°C)  
Température d'arrivée de l'eau froide = 59°F (15°C)
- Si les conditions d'entrée diffèrent de celles utilisées pendant l'étalonnage en usine, il sera peut-être nécessaire d'effectuer un nouvel étalonnage du robinet après l'installation. **L'installateur doit vérifier la température de débit mélangé après installation, puis régler le robinet selon les instructions.**

**AVIS AUX PROPRIÉTAIRES! Ce dispositif a été pré-réglé par \_\_\_\_\_ de \_\_\_\_\_ pour assurer une température maximale sécurisée. Toute modification de ce réglage peut augmenter la température d'évacuation au-delà de la limite considérée comme étant sécuritaire et causer des brûlures.**  
Date: \_\_\_\_\_

## Outils et matériaux



## Avant de commencer



**AVERTISSEMENT: Risque de brûlures.** Une température d'eau élevée peut causer des brûlures graves. Régler la température de l'eau à 120°F (49°C) ou moins en suivant la procédure de réglage.



**AVERTISSEMENT: Risque de brûlures ou d'autres blessures graves.** Avant de commencer l'installation,

## Avant de commencer (cont.)

l'installateur doit régler la température maximale de l'eau de ce robinet afin de réduire au minimum les risques associés aux dangers de brûlures selon la norme ASTM F 444.



**ATTENTION: Risque de blessures.** Des brûlures peuvent se produire si la température de l'eau est trop élevée. La température de l'eau ne doit jamais être réglée à une température supérieure à 120°F (49°C).



**ATTENTION: Risque de brûlures.** Ce dispositif a été étalonné en usine pour assurer une température maximale sécurisée. Toute variation des réglages ou des conditions d'entrée d'eau de ce qui a été utilisé en usine pendant l'étalonnage pourrait augmenter la température de refoulement au-delà de la limite sécurisée et créer des risques de brûlures. La responsabilité de l'installation et du réglage de ce dispositif conformément à ces instructions incombe à l'installateur.

**AVIS: Risque d'endommagement du produit.** Ce robinet contient des composants en plastique et en caoutchouc. Ne pas appliquer de convection ou de brasage direct sur le corps du robinet. Ne pas appliquer de chaleur excessive au corps du robinet pendant le soudage des connexions. Ne pas appliquer de flux ou d'acides directement sur le robinet afin d'éviter d'endommager les joints, les composants en plastique ou la finition de la garniture.

**AVIS: Risque d'endommagement du produit.** Ne pas appliquer de lubrifiants à base de pétrole sur les composants du robinet, étant donné que ceci pourrait créer des dommages.

**AVIS: Risque d'endommagement du produit.** Les raccords filetés d'entrée et de sortie doivent être effectués avec du ruban d'étanchéité PTFE de plombier ou un produit d'étanchéité liquide. Ne pas utiliser de composés à base d'huile et à haute dispersion.

**AVIS:** Ne pas forcer la poignée dans une quelconque direction. Le robinet subira des dommages si la poignée est forcée.

- Respecter tous les codes de plomberie et de bâtiment locaux.
- Fermer l'arrivée d'eau.
- Inspecter la tuyauterie d'alimentation afin d'y rechercher des dommages. Remplacer selon les besoins.

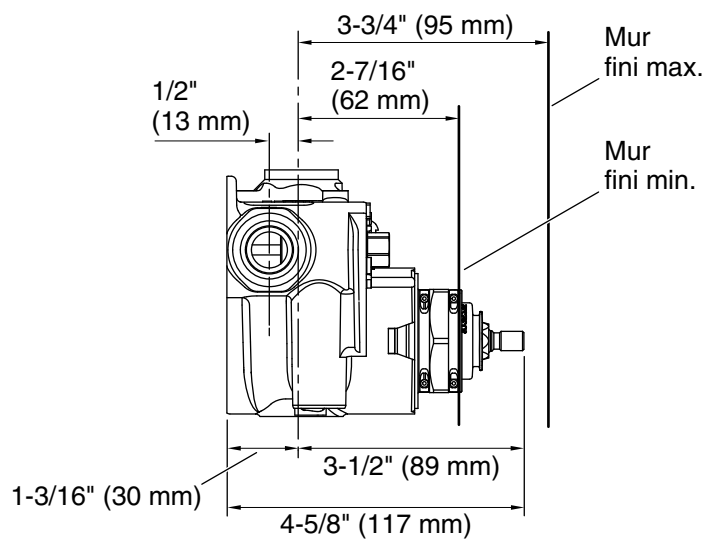
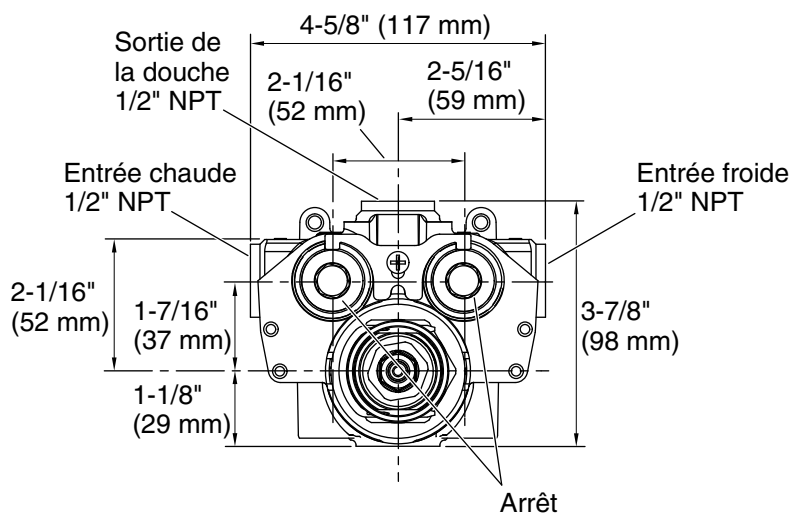
### Avant de commencer (cont.)

- L'orifice inférieur du robinet mélangeur thermostatique est destiné à être utilisé en tant que remplisseur de baignoire uniquement. Si l'on n'utilise pas de bec de baignoire avec ce produit, boucher le port inférieur.
- Les robinets mélangeurs thermostatiques K-2972 et K-2975 ne contiennent pas de robinet d'arrêt et/ou de contrôle de volume intégré. Un robinet d'arrêt et/ou de contrôle de volume séparé (K-2974 ou K-2977) doit être installé en aval de toute sortie de robinet utilisée.
- Les robinets mélangeurs thermostatiques K-2973 et K-2976 comprennent un robinet d'arrêt et/ou de contrôle de volume unique pour contrôler le débit d'eau à travers la sortie de douche. Lors du raccordement à la sortie baignoire du robinet, un robinet d'arrêt et/ou de contrôle de volume séparé (K-2974 ou K-2977) doit être installé en aval de la sortie baignoire.
- Aucun dispositif d'aspiration n'est intégré aux robinets mélangeurs thermostatiques. Pour des installations utilisant un bec inverseur de baignoire, il est nécessaire d'installer un coude jumelé (K-9663) avec dispositif d'aspiration intégré entre le robinet et le bec de la baignoire. Si ces robinets mélangeurs thermostatiques sont installés sans dispositif d'aspiration, l'eau s'écoulera du bec de la douche et de la baignoire en même temps.
- Déterminer la bonne taille et la bonne capacité du drain pour l'installation en question. Si deux robinets mélangeurs thermostatiques sont utilisés en même temps, des volumes d'eau entre 18 et 30 gal/min (60 à 114 l/min) ou plus sont possibles, selon la pression d'alimentation en eau.
- Déterminer la taille et la capacité correctes du chauffe-eau pour l'installation en question. Dans une installation typique de douche, on utilise un mélange d'environ 75% d'eau chaude et 25% d'eau froide. Une application de douche personnalisée, à trois pommes de douche de 2,5 gal/min (9,5 l/min) peut consommer environ 45 gallons (170 litres) d'eau chaude en 8 minutes. Choisir un chauffe-eau d'une taille suffisante pour l'installation en question.
- Le robinet est étalonné à 104°F (40°C) à la première position de l'obturateur d'arrêt. L'obturateur de limite maximale de température est positionné de manière à ce que la température de l'eau de sortie d'eau n'excède pas 120°F (49°C).

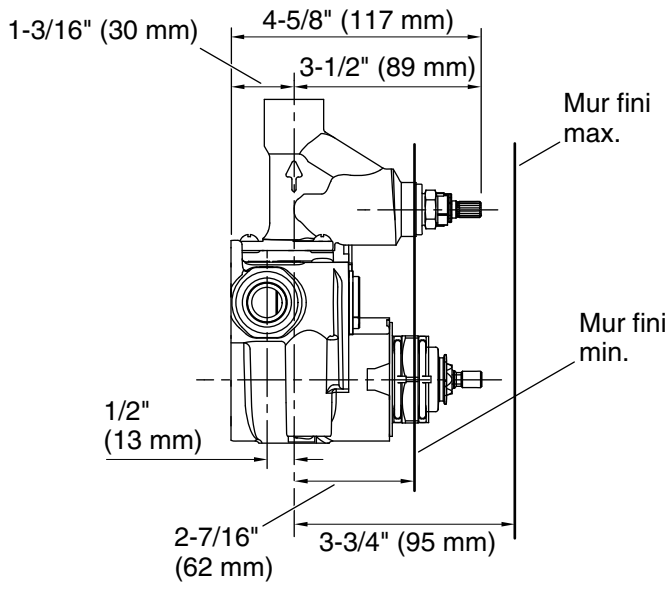
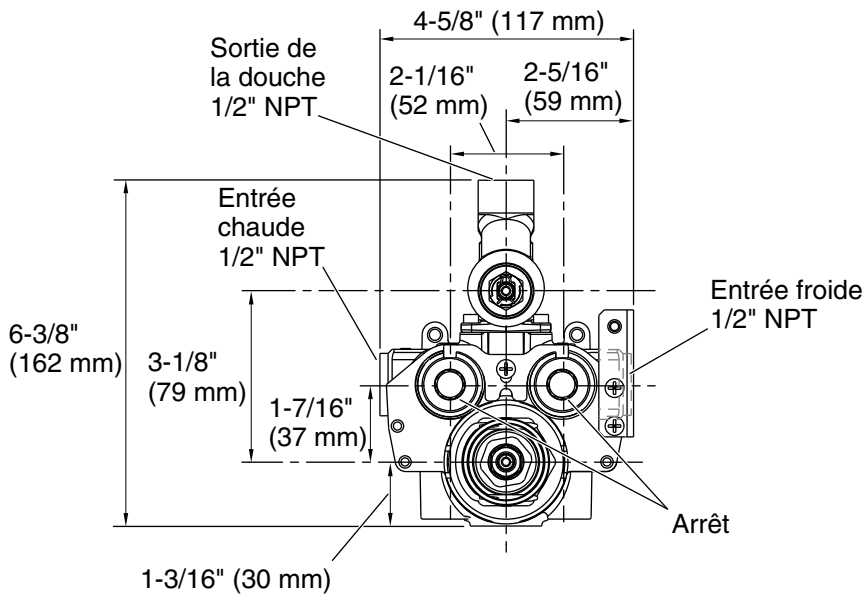
### Avant de commencer (cont.)

- La pression étalonnée en usine des entrées d'eau chaude et d'eau froide est de 43,5 psi (300 kPa). La température d'alimentation en eau chaude étalonnée en usine est de 149°F (65°C) et la température d'alimentation en eau froide est de 59°F (15°C).
- Si les conditions d'entrée diffèrent de celles de l'étalonnage en usine, il sera peut-être nécessaire d'effectuer un nouvel étalonnage du robinet après l'installation. **L'installateur doit vérifier la température du débit mélangé après installation puis le robinet doit être réglé selon les instructions.**
- Si possible, bien purger toute la tuyauterie avant d'installer les robinets afin d'éviter tout colmatage des crépines.

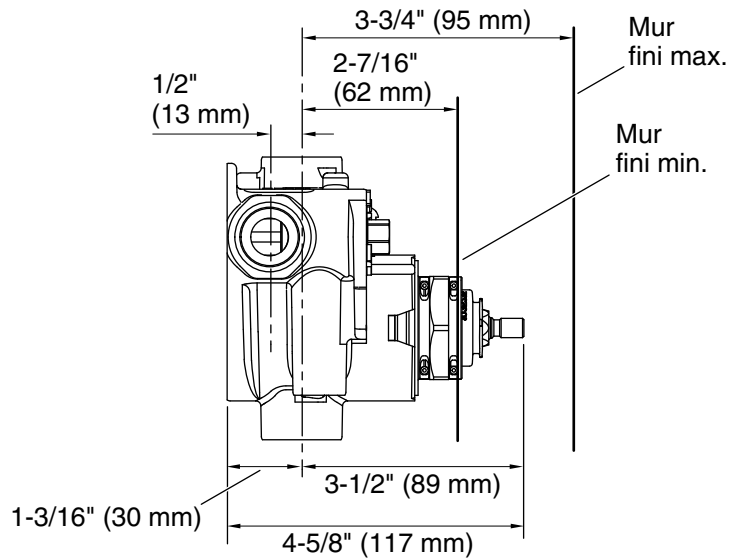
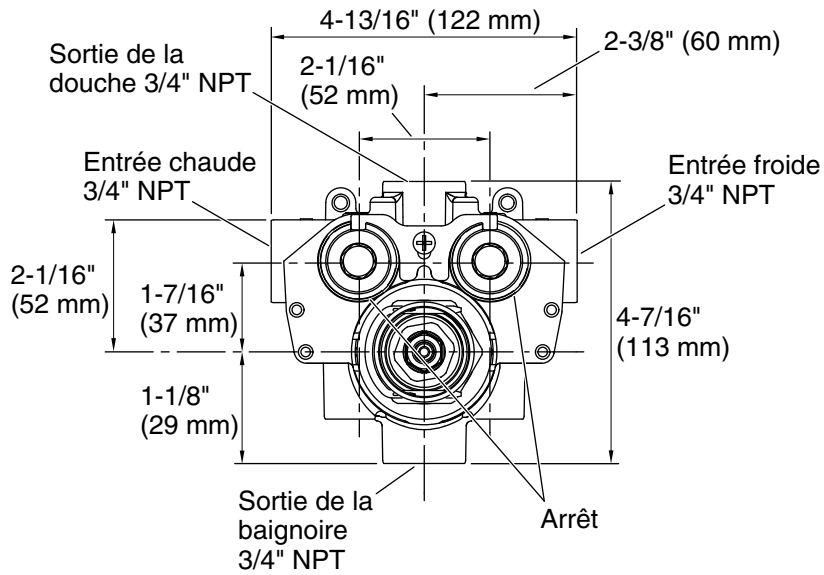




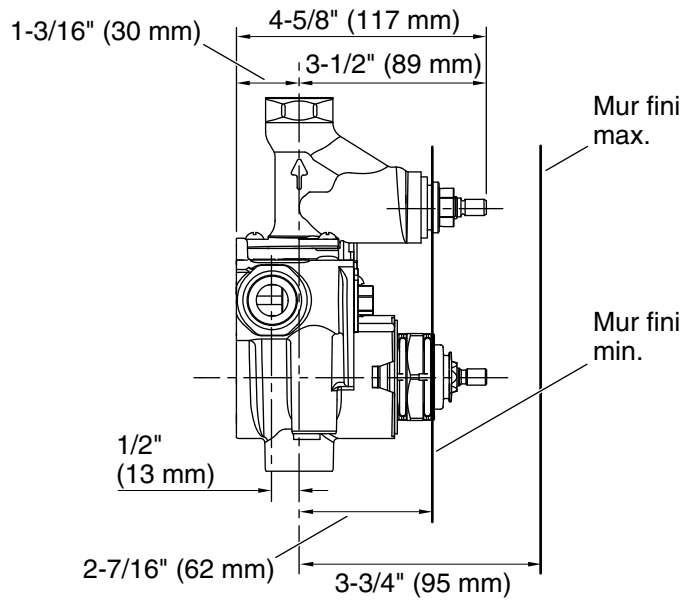
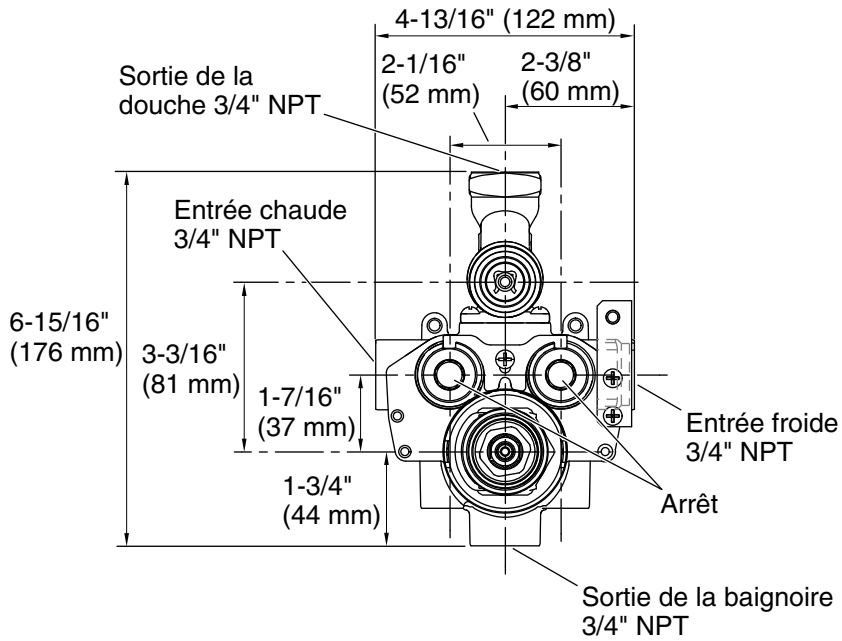
**K-2972 – Raccordement de robinet 1/2"**



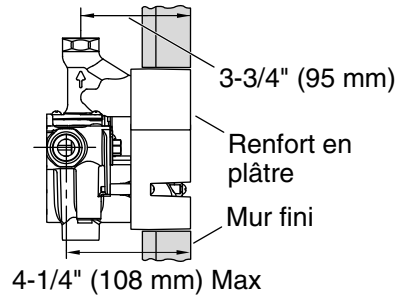
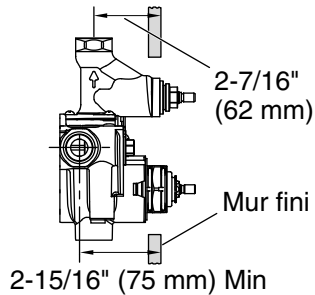
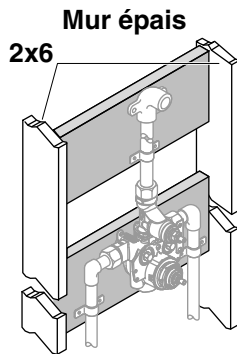
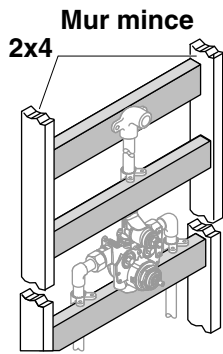
**K-2973 – Raccordement de robinet 1/2"**



**K-2975 – Raccordement de robinet 3/4"**



**K-2976 – Raccordement de robinet 3/4"**



## 1. Installer le cadrage de support

**IMPORTANT!** S'assurer que le robinet est monté à la profondeur correcte de manière à ce qu'il soit positionné correctement lorsque le mur fini est installé.

**REMARQUE:** Seule la configuration de douche est illustrée. Ajuster le support comme il se doit pour les autres configurations.

**REMARQUE:** Installer une plaque d'appui à l'arrière du robinet pour les installations sur ossature de 2 x 6 uniquement.

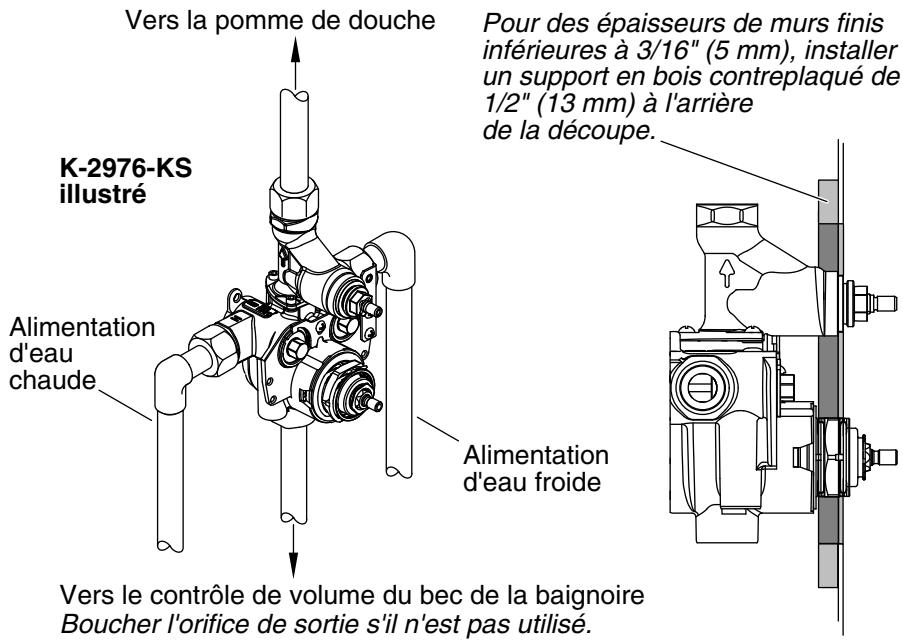
**REMARQUE:** Il n'est pas possible de faire passer une plaque d'appui derrière le robinet pour les installations sur ossature de 2 x 4. Supporter les tuyaux directement au-dessus et/ou en-dessous du robinet. Ceci fournira également un support pour le robinet.

**REMARQUE:** Lors de l'installation du robinet K-2972 ou K-2973, utiliser des raccords et une tuyauterie en cuivre de valeur nominale de 1/2" dans toute cette installation. Une tuyauterie de petit diamètre en amont ou en aval du robinet réduira la performance de ce dernier.

### Installer le cadrage de support (cont.)

**REMARQUE:** Lors de l'installation du robinet K-2975 ou K-2976, utiliser des raccords et une tuyauterie en cuivre de valeur nominale de 3/4" dans toute cette installation. Une tuyauterie de petit diamètre en amont ou en aval du robinet réduira la performance de ce dernier.

- Déterminer l'emplacement souhaité pour le robinet selon le plan de raccordement, et construire un cadre de support et de montants adéquat pour la configuration en question et le robinet.
- Si le mur fini est une cloison sèche, une cloison sèche d'une épaisseur de 1/2" (13 mm) ou plus doit être utilisée, ou le mur fini ne sera pas assez solide.
- Déterminer l'épaisseur du mur fini. Le mur fini ne doit pas dépasser du rebord extérieur du protecteur de plâtre. Le robinet peut être monté avec le protecteur de plâtre à ras du mur fini pour l'épaisseur maximale du mur. Si le protecteur de plâtre est en retrait, le mur fini est trop épais. Se référer au diagramme ci-dessus.
- Installer un antibélier dans les conduites d'alimentation en eau chaude et en eau froide.
- Déterminer l'emplacement souhaité pour le robinet selon le plan de raccordement et construire un cadre de support et de montants adéquat.



## 2. Installer le robinet

**AVIS: Risque d'endommagement du produit.** Ce robinet contient des composants en plastique et en caoutchouc. Ne pas appliquer de convection ou de brasage direct sur le corps du robinet. Ne pas appliquer de chaleur excessive au corps du robinet pendant le soudage des connexions. Ne pas appliquer de flux ou d'acides directement sur le robinet afin d'éviter d'endommager les joints, les composants en plastique ou la finition de la garniture.

**AVIS: Risque d'endommagement du produit.** Ne pas appliquer de lubrifiants à base de pétrole sur les composants du robinet, étant donné que ceci pourrait créer des dommages.

**AVIS: Risque d'endommagement du produit.** Les raccordements filetés d'entrée et de sortie doivent être effectués avec du ruban d'étanchéité PTFE de plombier ou un produit d'étanchéité liquide. Ne pas utiliser de composés à base d'huile et à haute dispersion.

**REMARQUE:** Un protecteur de plâtre est fixé sur la partie avant du robinet mélangeur. Ne pas le retirer avant instructions spécifiques.

## Installer le robinet (cont.)

- Purger les conduites d'alimentation en eau chaude et en eau froide pour éliminer tout débris.
- Utiliser un produit d'étanchéité pour filets et raccorder les alimentations en eau chaude et en eau froide aux ports d'entrée du robinet. S'assurer que les conduites d'alimentation en eau correspondantes sont connectées aux ports d'entrée corrects.

**REMARQUE:** Si la plomberie chaude et froide existante rend cette configuration difficile ou s'il est avantageux d'inverser les ports d'eau chaude et d'eau froide (tel que pour des installations dos à dos), voir la section "Inverser les alimentations d'entrée".

- Pour les robinets K-2973 et K-2976, s'assurer que la partie robinet d'arrêt/de contrôle de volume intégré de l'ensemble se trouve sur le dessus lorsqu'elle est installée.
- Raccorder les conduites de sortie d'eau aux ports du robinet. Boucher tout port de sortie non utilisé.

**IMPORTANT!** Fixer la tuyauterie en place sur la charpente.

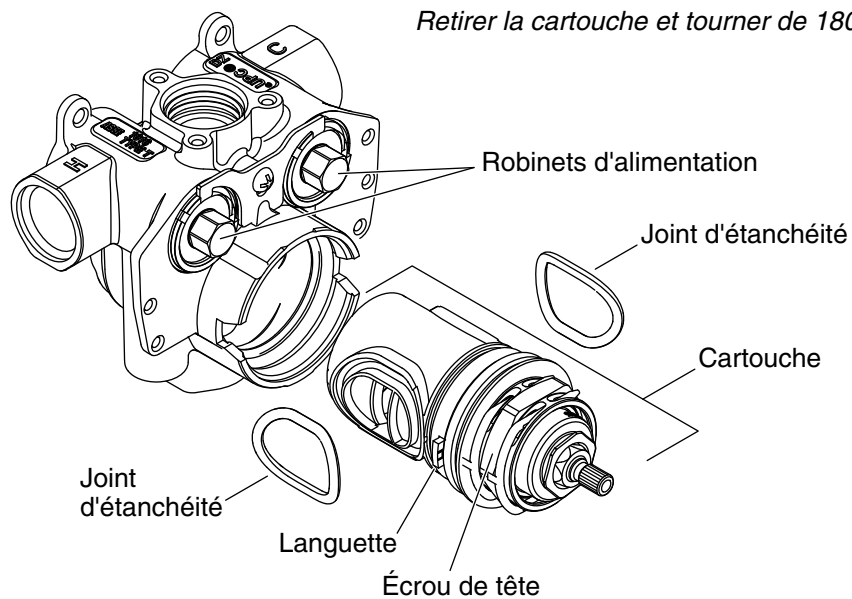
**REMARQUE:** Lors de l'utilisation du protecteur de plâtre pour tracer la découpe, les marques de graduation du renfort permettront de mieux identifier les centres à cannelures.

- Utiliser le protecteur de plâtre pour déterminer la profondeur du robinet dans le mur et pour tracer la ligne de découpe dans le matériau du mur.

**REMARQUE:** Le mur fini doit être compris dans la profondeur MIN-MAX indiquée sur les adaptateurs de garniture 1, 2 et 3 du protecteur de plâtre.

- Ouvrir les conduites d'alimentation en eau vers les robinets.
- Faire couler l'eau à travers le robinet mélangeur, ainsi que dans toutes les douches et le bec.
- Retirer le protecteur de plâtre pour accéder au robinet et inspecter celui-ci.





### 3. Inverser les alimentations d'entrée

**IMPORTANT!** Les instructions de cette section sont facultatives. Exécuter ces instructions uniquement si les entrées d'eau chaude et d'eau froide doivent être inversées.

Les connexions d'entrée sont indiquées sur les ports d'entrée du robinet thermostatique. Le côté gauche correspond au CHAUD et le côté droit correspond au FROID. Si cette configuration n'est pas adéquate pour l'installation en question, la cartouche peut être tournée de 180° pour inverser les ports d'entrée de l'eau chaude et de l'eau froide.

**REMARQUE:** NE PAS tirer le clip de démontage de l'ensemble de la cartouche à un moment quelconque de cette procédure. Le clip de retenue aide à maintenir l'obturateur de limite de température et les composants de détente en place et réduit ou élimine la nécessité de réglages de température.

Si le robinet est déjà installé et sous pression:

### Inverser les alimentations d'entrée (cont.)

- Tourner les deux robinets d'arrêt intégrés de 90° dans le sens contraire des aiguilles d'une montre, jusqu'à ce qu'ils touchent la bride d'arrêt.
- Tourner la tige de la vanne de contrôle de volume (non illustré) complètement dans le sens des aiguilles d'une montre pour relâcher la pression.
- Dévisser lentement l'écrou de tête, en le tournant dans le sens contraire des aiguilles d'une montre. Ceci commencera à dégager la cartouche hors du corps du robinet.

**REMARQUE:** Une certaine quantité d'eau pourrait s'échapper. Utiliser un seau et des serviettes pour contenir l'eau.

- Extraire l'écrou de tête avec la cartouche hors du corps du robinet.

**REMARQUE:** Deux joints pourraient tomber lorsque la cartouche est retirée. Mettre les joints de côté.

- Tourner la cartouche de 180°.
- Vérifier que l'entrée froide de la cartouche se trouve sur la gauche lorsque l'adaptateur de la tige de la vanne est de face.

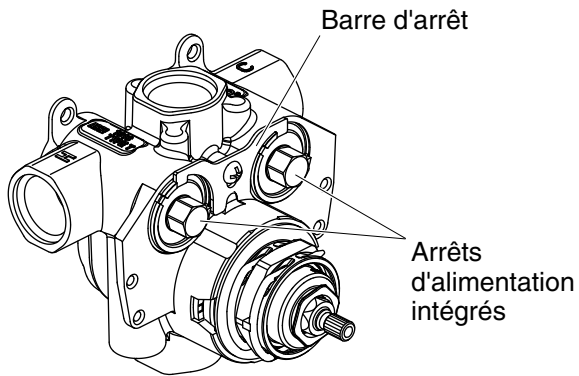
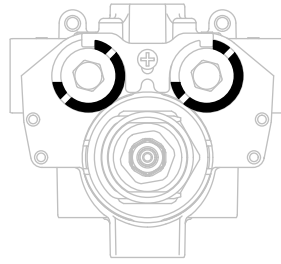
**REMARQUE:** Les entrées chaude et froide de la cartouche sont identifiées sur le dessus et les côtés des languettes de la cartouche. Les languettes sont étiquetées "H" et "C" pour identifier le chaud et le froid.

**CONSEIL:** La rotation de la cartouche dans un mouvement de va-et-vient ou l'installation avec un mouvement pousser-tirer réduit la possibilité de pincer les joints latéraux.

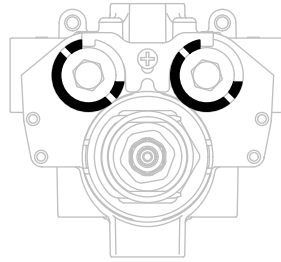
- Réinstaller les joints sur chaque côté de la cartouche.
- Repousser délicatement la cartouche en place dans le corps du robinet. S'assurer que les deux languettes de la cartouche sont bien assises à l'intérieur des rainures du corps du robinet.
- Serrer l'écrou de tête à la main sur le corps du robinet. **Ne pas trop serrer.**
- Remettre les robinets d'arrêt intégrés dans leur position d'origine.
- Noter les alimentations d'entrée inversées sur le robinet pour les entretiens futurs.

Tourner les arrêts d'alimentation intégrés de 90° pour OUVRIR/FERMER.

#### Alimentations fermées



#### Alimentations ouvertes



### Fonctionnement des robinet d'arrêt intégrés

**REMARQUE:** Utiliser une clé à douilles avec une douille de 1/2" (13 mm) pour ajuster les obturateurs.

#### Fermer les obturateurs

- Utiliser une clé à douilles pour tourner les obturateurs intégrés de 90° dans le sens contraire des aiguilles d'une montre pour fermer les alimentations d'eau chaude et froide.

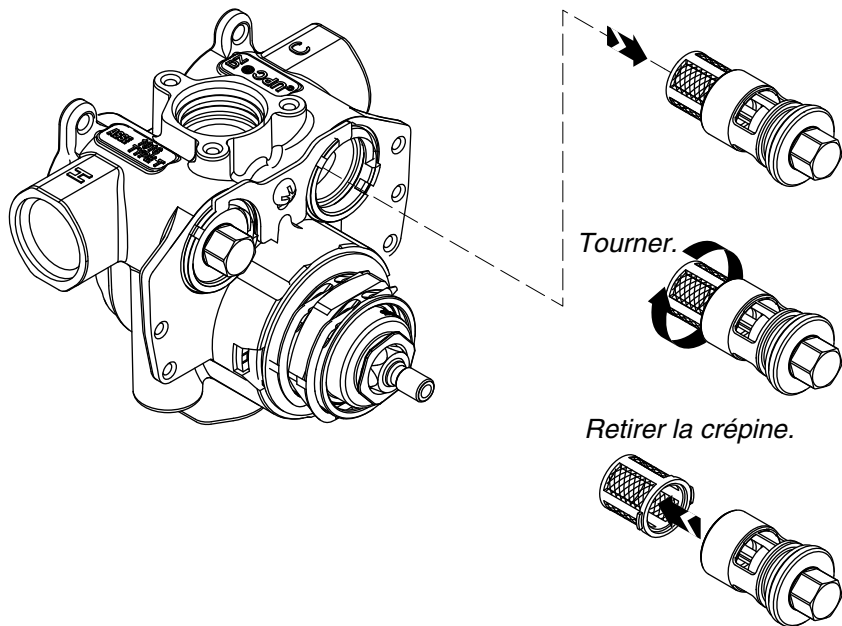
**REMARQUE:** Si le corps intérieur tourne, mais que l'anneau extérieur ne tourne pas, serrer l'obturateur intégré fermement (dans le sens des aiguilles d'une montre). Puis tourner dans le sens contraire des aiguilles d'une montre. L'anneau extérieur doit ensuite tourner avec l'arrêt intégral.

**REMARQUE:** Si l'anneau extérieur ne tourne pas, desserrer la vis pour faire coulisser la barre de verrouillage. Libérer les obturateurs intégrés en les tournant dans le sens des aiguilles d'une montre, puis les remettre dans leur position d'origine. Remettre la barre de verrouillage en place et la bloquer avec la vis.

### **Fonctionnement des robinet d'arrêt intégrés (cont.)**

- Confirmer que les obturateurs sont fermés en utilisant le diagramme ci-dessus.
- Tourner la commande de débit dans le sens contraire des aiguilles d'une montre pour libérer l'excès d'eau (non illustré).
- La cartouche ou les clapets de non retour peuvent maintenant être retirés pour l'entretien ou le remplacement.

**REMARQUE:** Conserver un chiffon à proximité pour recueillir l'excès d'eau qui se vidangera graduellement lors de la dépose de la cartouche du robinet.

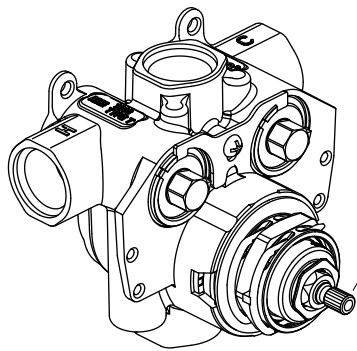


### Entretien des filtres

- Retirer la garniture.
- Fermer les deux obturateurs en suivant les instructions de la section précédente.
- Utiliser une clé à douilles avec une douille de 1/2" (13 mm) pour retirer le système d'obturateurs (chaud sur côté gauche, froid sur côté droit).
- Retirer la crépine en tournant et en tirant du corps du clapet de non retour.
- Nettoyer et remplacer la crépine selon les besoins.
- Nettoyer ou remplacer le corps du clapet de non retour selon les besoins.
- Pour remonter la crépine sur le corps du clapet de non retour, l'enfoncer et la tourner de 90°.
- Réinstaller le corps du clapet de non retour en tournant dans le sens des aiguilles d'une montre jusqu'à ce qu'il entraîne l'ouverture du corps d'obturateur.
- Ouvrir les robinets d'arrêt et rechercher des fuites.

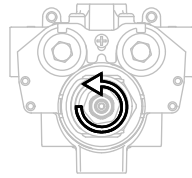
**Entretien des filtres (cont.)**

- Réinstaller la garniture.

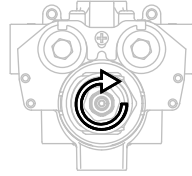


Adaptateur  
à cannelures

### Augmenter la température



### Baisser la température



## Vérifier le réglage de la température

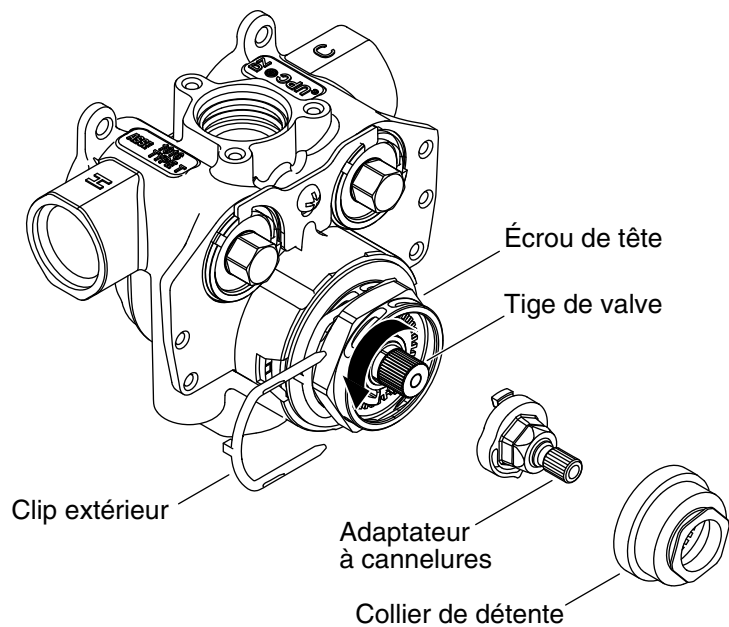
**REMARQUE:** La cartouche du robinet thermostatique est équilibrée en usine pour une température de douche comprise entre 104°F (40°C) et 105°F (41°C) environ et la température maximale de l'eau chaude est de 120°F (49°C).

- Ouvrir l'eau.
- Attacher une poignée de garniture ou un protecteur de plâtre (situé dans le robinet de contrôle de volume K-2974 ou K-2977 ou dans le robinet coupleur K-728) sur l'adaptateur à cannelures du robinet.
- Tourner l'adaptateur à cannelures à fond dans le sens contraire des aiguilles d'une montre, de manière à ce que la poignée de garniture ou le protecteur de plâtre ne bouge plus. L'adaptateur à cannelure est maintenant en position maximale d'eau chaude.
- Laisser couler l'eau pendant plusieurs minutes pour stabiliser les températures d'alimentation en eau.
- Placer un thermomètre dans le courant d'eau pour vérifier la température de l'eau chaude.
- Si la température de l'eau dépasse 120°F (49°C) ou si elle est inférieure à la température souhaitée, aller à la section "Régler la limite de température de l'eau chaude".
- Tourner la poignée de garniture ou le protecteur de plâtre dans le sens des aiguilles d'une montre jusqu'au dé clic. Ne pas tourner davantage. Ceci est la position de température de douche.

### **Vérifier le réglage de la température (cont.)**

- Retirer la poignée de garniture ou le protecteur de plâtre de l'adaptateur à cannelures du robinet.
- Placer un thermomètre dans le courant d'eau pour vérifier la température de douche.
- Si la température de l'eau est comprise dans une plage inférieure de 104°F (40°C) à 105°F (41°C) ou si elle est plus élevée que souhaité, passer à la section "Régler la température de douche".
- Si les deux réglages sont corrects, remplir la section "AVIS AUX PROPRIÉTAIRES" au début de ce document.



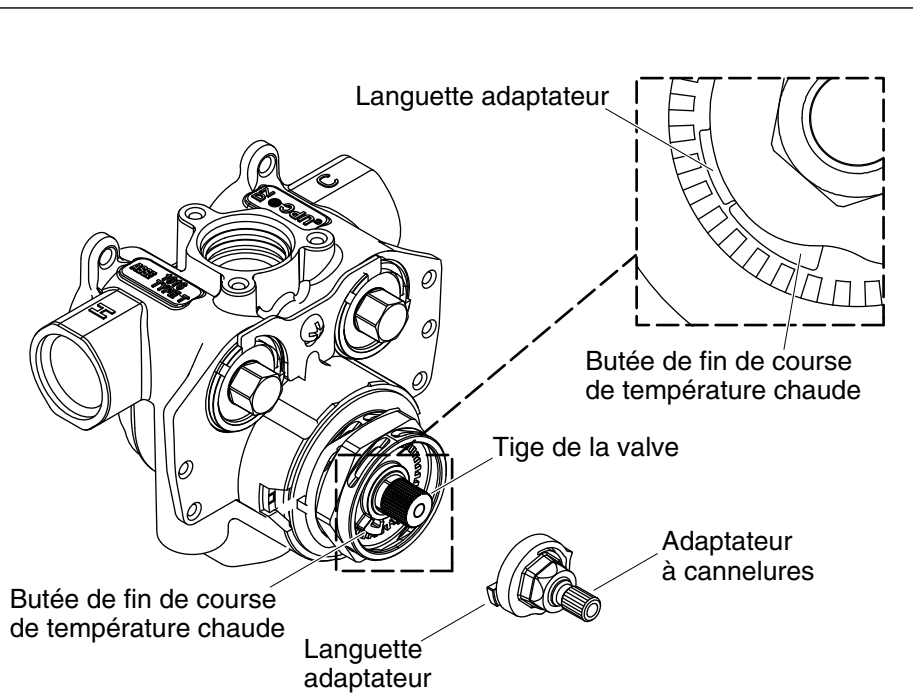


### Régler la limite de température de l'eau chaude

- Retirer le clip extérieur de l'écrou de tête.
- Retirer le collier à détente.
- Retirer l'adaptateur à cannelures.

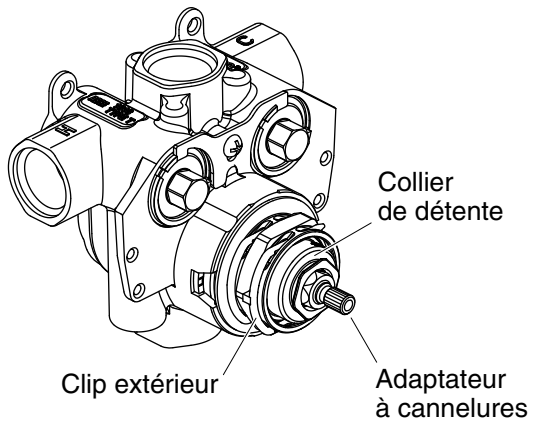
**REMARQUE:** Laisser le collier à détente de côté lors des réglages.

- Tourner la tige de la vanne complètement dans le sens contraire des aiguilles d'une montre.
- Utiliser le robinet de contrôle de volume (non illustré) pour ouvrir l'eau.
- Laisser couler l'eau pendant plusieurs minutes jusqu'à ce que la température de l'eau se stabilise.

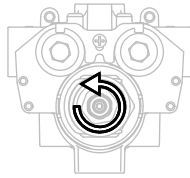


### Régler la limite de température de l'eau chaude (suite)

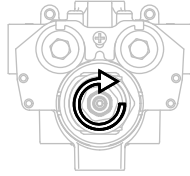
- Utiliser un thermomètre pour vérifier la température de l'eau.
- Tourner la tige de la vanne dans le sens des aiguilles d'une montre jusqu'à ce que la température atteigne 120°F (49°C).
- Réinstaller l'adaptateur à cannelures avec la patte de l'adaptateur placée à ras de l'obturateur de limite de température chaude sur la cartouche.
- Utiliser le robinet de contrôle de volume (non illustré) pour couper l'eau.



### Augmenter la température



### Baisser la température



## Régler la température de douche

- ❑ **Si le collier à détente est installé:** Retirer le clip extérieur et dégager le collier à détente des dents de la cartouche. Ne pas retirer le collier; attendre qu'il soit suspendu de la cartouche.
- ❑ **Si le collier à détente n'est pas installé:** Positionner sans serrer le collier à détente par-dessus la cartouche, en assurant que le collier n'engage pas les dents de la cartouche.
- ❑ Placer la poignée de garniture (non illustrée) ou le protecteur de plâtre (non illustré) sur l'adaptateur à cannelures du robinet.
- ❑ Tourner l'adaptateur à cannelures à fond dans le sens contraire des aiguilles d'une montre, de manière à ce que la poignée de garniture ou le protecteur de plâtre ne bouge plus. L'adaptateur à cannelure est maintenant en position maximale d'eau chaude.
- ❑ Retirer la poignée de garniture ou le protecteur de plâtre de l'adaptateur à cannelures du robinet.
- ❑ Utiliser le robinet de contrôle de volume (non illustré) pour ouvrir l'eau.
- ❑ Laisser couler l'eau pendant plusieurs minutes jusqu'à ce que la température de l'eau se stabilise.
- ❑ Placer un thermomètre dans le courant d'eau pour vérifier la température de l'eau.

## Régler la température de douche (cont.)

- Lorsque la température de l'eau atteint la limite de température chaude de consigne (section "Régler la limite de température de l'eau chaude") commencer par tourner doucement le collier à détente et l'adaptateur à cannelures dans le sens des aiguilles d'une montre.

**REMARQUE:** Pendant la rotation du collier à détente, des petits réglages vers l'intérieur et l'extérieur seront requis pour assurer que le collier n'engage pas les dents de la cartouche. Utiliser le collier à détente pour tourner l'adaptateur à cannelures.

- Pendant la rotation du collier et de l'adaptateur à cannelures, surveiller la température de la sortie d'eau.
- Lorsque la température atteint 104-105°F (40-40.5°C), appuyer sur le collier à détente jusqu'à ce qu'il engage les dents de la cartouche.
- Avec la patte du clip placée vers le robinet, réinstaller le clip sur l'écrou de tête.
- Utiliser le robinet de contrôle de volume (non illustré) pour couper l'eau.

## Dépannage

**AVIS:** Cette section est seulement destinée à une aide générale. Pour un service de garantie, appeler le 1-800-4KOHLER à partir des É.-U. et du Canada, ou le 001-800-456-4537 à partir du Mexique.

Pour tout renseignement sur les pièces de rechange, visiter la page du produit sur le site [www.kohler.com/serviceparts](http://www.kohler.com/serviceparts).

Symptômes	Cause probable/Action recommandée
1. Uniquement de l'eau chaude ou froide en provenance de la sortie d'eau.	<b>A.</b> Les alimentations d'entrée sont inversées. Voir la section "Inverser les alimentations d'entrée". <b>B.</b> Inspecter les crépines pour y rechercher des obstructions. Dégager si nécessaire.
2. Fluctuation ou réduction du débit.	<b>A.</b> Variation de l'état extérieur comme une pression réduite. <b>B.</b> Inspecter les crépines pour y rechercher des obstructions. Dégager si nécessaire.

<b>Dépannage (cont.)</b>	
<b>Symptômes</b>	<b>Cause probable/Action recommandée</b>
	<p><b>C.</b> S'assurer que le débit minimum est suffisant pour des conditions d'alimentation.</p> <p><b>D.</b> S'assurer que les pressions dynamiques d'entrée sont équilibrées de manière nominale et qu'elles sont suffisantes.</p> <p><b>E.</b> S'assurer que les différences de température d'entrée sont suffisantes.</p> <p><b>F.</b> Les obturateurs de service ne sont pas entièrement ouverts. Tourner les deux obturateurs de service dans le sens des aiguilles d'une montre jusqu'à ce qu'ils soient entièrement ouverts.</p> <p><b>G.</b> Vérifier la performance thermostatique; remplacer la cartouche thermostatique si nécessaire.</p>
<p><b>3.</b> Aucun débit en provenance de la sortie d'eau de contrôle de douche.</p>	<p><b>A.</b> Les crépines sont bloquées. Dégager les crépines.</p> <p><b>B.</b> Défaillance d'alimentation en eau chaude ou froide. Remplacer le robinet d'alimentation.</p> <p><b>C.</b> La cartouche de contrôle de débit ne fonctionne pas. Vérifier et remplacer si nécessaire.</p> <p><b>D.</b> Les obturateurs de service sont fermés. Tourner les deux obturateurs de service dans le sens des aiguilles d'une montre jusqu'à ce qu'ils soient entièrement ouverts.</p>
<p><b>4.</b> Dérive de température de mélange.</p>	<p><b>A.</b> Indique que les conditions d'utilisation ont changé. Aucune action n'est nécessaire.</p> <p><b>B.</b> Se référer au symptôme 2.</p> <p><b>C.</b> Fluctuation de température d'alimentation en eau chaude.</p> <p><b>D.</b> Fluctuation de pression d'alimentation.</p>

<b>Dépannage (cont.)</b>	
<b>Symptômes</b>	<b>Cause probable/Action recommandée</b>
5. Eau chaude dans l'alimentation en eau froide ou eau froide dans l'alimentation en eau chaude.	A. Indique un débit croisé. Remplacer le clapet de non-retour.
6. Le réglage de la température de mélange maximale est trop chaud ou trop froid.	A. Indique un réglage de température maximale incorrect; se référer à la section "Régler la limite de température de l'eau chaude". B. Se référer au symptôme 4. C. Se référer au symptôme 5.
7. Fuite d'eau en provenance du corps du robinet.	A. Joint(s) usé(s) ou endommagé(s). Obtenir un kit d'entretien et remplacer le(s) joint(s). B. Si la fuite provient d'autour de l'axe de température, remplacer la cartouche thermostatique.
8. Le bouton de débit ou de température est rigide et difficile à utiliser.	A. Mouvement libre altéré des composants internes. Remplacer la cartouche appropriée. B. Les pressions d'alimentation sont trop élevées. Ajuster la valve de réduction de pression.
<p><b>Garantie</b></p> <p><b>Garantie limitée à vie du robinet KOHLER®</b></p> <p>Kohler Co. garantit que les robinets* fabriqués après le 1er janvier 1997 ne fuient pas et ne gouttent pas lors d'une utilisation domestique normale, aussi longtemps que l'acquéreur d'origine demeure propriétaire de son domicile. Si le robinet goutte ou présente des fuites lors d'une utilisation normale, Kohler Co. enverra par courrier à l'acheteur, sans frais, la cartouche nécessaire pour réparer le robinet. La présente garantie s'applique uniquement aux robinets Kohler installés aux États-Unis, au Canada ou au Mexique ("Amérique du Nord").</p> <p>Kohler Co. garantit également toutes les autres caractéristiques du robinet ou des accessoires ("Robinet")*, (à l'exception des finitions dorées, non-Vibrant®, non chromées) contre tout vice de matériau et de fabrication lors d'une utilisation domestique normale, aussi longtemps que l'acquéreur d'origine demeure propriétaire de son domicile. La présente garantie s'applique uniquement aux robinets Kohler installés</p>	

## **Garantie (cont.)**

en Amérique du Nord. Si un vice est décelé lors d'une utilisation domestique normale, Kohler Co. choisira, à sa discrétion, la réparation, le remplacement ou la rectification appropriée. Cette garantie n'offre pas de protection contre les dommages dus à un accident, une mauvaise utilisation ou un mauvais traitement. Un entretien et un nettoyage inadéquats annulent la garantie\*\*. Une preuve d'achat (ticket de caisse d'origine) doit être présentée à Kohler Co. avec toutes les réclamations au titre de la garantie. Kohler Co. n'est pas responsable des frais de main-d'œuvre, d'installation ou de tout autre frais particulier, accessoire ou indirect. La responsabilité de Kohler Co. ne dépassera en aucun cas le prix d'achat du robinet.

Si le robinet est utilisé dans un commerce ou s'il est installé en dehors d'Amérique du Nord, ou si la finition est dorée, non-Vibrant, peinte ou revêtue d'une poudre, Kohler Co. garantit le robinet contre tout vice de matériau et de fabrication pendant un (1) an à partir de la date d'installation du produit, selon les modalités de la garantie limitée standard d'un an de Kohler Co.

Pour toute réclamation au titre de la présente garantie, contacter Kohler Co. par l'intermédiaire du vendeur, plombier, centre de rénovation ou revendeur par internet, ou bien par écrit à l'adresse suivante Kohler Co., Attn.: Customer Care Center, 444 Highland Drive, Kohler, WI 53044, USA. Fournir tous les renseignements pertinents à la réclamation, dont notamment une description complète du problème et du produit, le numéro de modèle, la couleur, la finition, la date et le lieu d'achat du produit. Joindre également l'original de la facture. Pour de plus amples renseignements ou pour obtenir les coordonnées du service de réparation le plus proche, appeler le 1-800-4-KOHLER (1-800-456-4537) à partir des É.-U. et du Canada, et le 001-800-456-4537 à partir du Mexique, ou consulter le site [www.kohler.com](http://www.kohler.com) aux É.-U., [www.ca.kohler.com](http://www.ca.kohler.com) à partir du Canada, ou [www.mx.kohler.com](http://www.mx.kohler.com) au Mexique.

**KOHLER CO. ET/OU LE REVENDEUR FOURNISSENT CES GARANTIES AU LIEU ET PLACE DE TOUTES AUTRES GARANTIES, EXPRESSES OU TACITES, Y COMPRIS LES GARANTIES TACITES DE COMMERCIALITÉ ET D'ADAPTATION À UN USAGE PARTICULIER. KOHLER CO. ET/OU LE REVENDEUR DÉCLINENT TOUTE RESPONSABILITÉ CONTRE LES DOMMAGES PARTICULIERS, ACCESSOIRES OU INDIRECTS. Certains états et provinces ne permettent pas de limite sur la durée de la garantie tacite, ni l'exclusion ou la limite des dommages, et, par conséquent, lesdites limites et exclusions peuvent ne pas s'appliquer à votre cas. La présente garantie accorde au consommateur des droits juridiques particuliers. Vous pouvez**

## **Garantie (cont.)**

**également avoir d'autres droits qui varient d'un état ou d'une province à l'autre.**

**Ceci constitue la garantie écrite exclusive de Kohler Co.**

\*Les robinets Trend®, la colonne MasterShower®, les systèmes et éléments BodySpa; la colonne, les systèmes et les éléments WaterHaven®; les robinets Tripoint®, les finitions or poli, non-Vibrant et peintes ou à revêtement de poudre, les raccords, tous les articles de la section "Fixture Related" du catalogue des prix des robinets Kohler, les drains, les crépines d'évier Duostrainer®, les distributeurs de savon/lotion, le haut-parleur sans fil Moxie® et les robinets utilisés dans des installations commerciales et en dehors de l'Amérique du Nord sont couverts par la garantie limitée d'un an de Kohler Co.

\*\*Ne jamais utiliser de nettoyeurs contenant des agents abrasifs, de l'ammoniaque, de l'eau de Javel, des acides, des cires, de l'alcool, des dissolvants ou autres produits non recommandés pour le chrome. Ceci annulera la garantie.



# Guía de instalación y cuidado

## Válvula mezcladora termostática

### INSTRUCCIONES IMPORTANTES

## LÉALAS Y GUÁRDELAS PARA EL CLIENTE



**ADVERTENCIA:** Riesgo de quemaduras o de otras lesiones graves.



**PRECAUCIÓN:** Riesgo de peligro de quemaduras. Este aparato ha sido calibrado en la fábrica para asegurar que la temperatura máxima del agua no presente riesgos. Cualquier variación en el ajuste o en las condiciones de entrada del agua con respecto a la calibración en la fábrica puede aumentar la temperatura de salida sobre el límite de seguridad, y puede causar riesgo de quemaduras.

- Antes de terminar de hacer la instalación, el instalador debe ajustar la temperatura máxima del agua en esta válvula para reducir el riesgo de quemaduras, según la norma ASTM F 444.

**El instalador es responsable de ajustar la temperatura máxima del agua de esta válvula según las instrucciones.**

**Esta válvula cumple o excede las normas ASME A112.18.1/CSA B125.1 y ASSE 1016/ASME A112.18.1016/CSA B125.16.**

Si no comprende las instrucciones de ajuste de temperatura contenidas en este documento, en los Estados Unidos llame a nuestro Centro de Atención al Cliente, al **1-800-4KOHLER**. Fuera de los EE.UU, comuníquese con su distribuidor.

**AVISO IMPORTANTE:** Llene la etiqueta de la válvula y el cuadro de abajo en AVISO AL USUARIO. Guarde esta guía para referencia futura.

- La válvula está calibrada a 104°F (40°C) en la posición del primer tope, y el tope limitador de temperatura máxima está colocado de manera que la temperatura del agua en la salida no exceda 120°F (49°C).

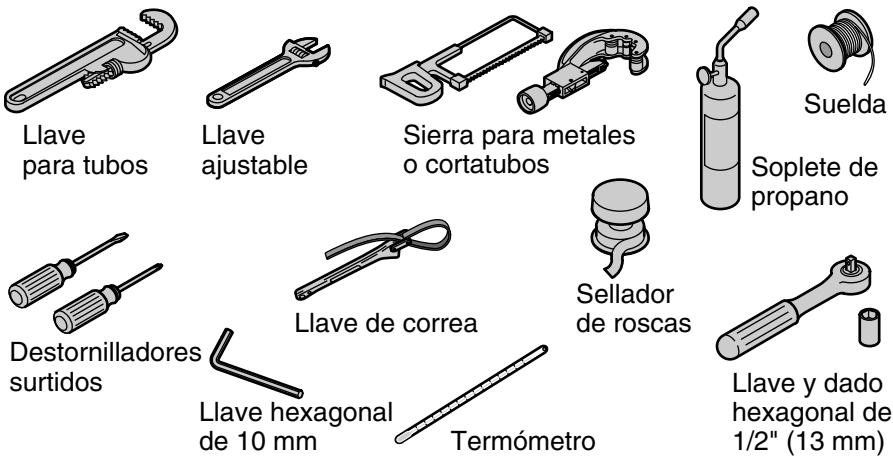
## INSTRUCCIONES IMPORTANTES (cont.)

- Las condiciones de entrada calibradas en la fábrica son:  
Presión del agua caliente y fría = 43.5 psi (300 kPa)  
Temperatura de suministro del agua caliente = 149°F (65°C)  
Temperatura de suministro del agua fría = 59°F (15°C)
- Si las condiciones de entrada difieren de las de calibración en la fábrica, puede ser necesario volver a calibrar la válvula después de la instalación. **El instalador debe verificar la temperatura del flujo mixto después de la instalación, y ajustar la válvula según sea necesario conforme a las instrucciones.**

**¡AVISO AL USUARIO!** Este aparato fue ajustado originalmente por \_\_\_\_\_ de \_\_\_\_\_ para asegurar que la temperatura máxima sea segura. Cualquier cambio en el ajuste puede aumentar la temperatura de salida sobre el límite considerado seguro, y ocasionar quemaduras.

Fecha: \_\_\_\_\_

## Herramientas y materiales



## Antes de comenzar



**ADVERTENCIA: Riesgo de quemaduras.** El agua a alta temperatura puede ocasionar quemaduras graves. Ajuste la temperatura del agua a un máximo de 120°F (49°C), de acuerdo al procedimiento de ajuste.



**ADVERTENCIA: Riesgo de quemaduras o de otras lesiones graves.** Antes de terminar de hacer la instalación, el

## Antes de comenzar (cont.)

instalador debe ajustar la temperatura máxima del agua en esta válvula para reducir el riesgo de quemaduras, según la norma ASTM F 444.



**PRECAUCIÓN: Riesgo de lesiones personales.** Si la temperatura del agua se ajusta muy alta, se producirán quemaduras. La temperatura del agua nunca debe ajustarse a más de 120°F (49°C).



**PRECAUCIÓN: Riesgo de quemaduras.** Este aparato ha sido calibrado en la fábrica para asegurar que la temperatura máxima del agua no presente riesgos. Cualquier variación en el ajuste o en las condiciones de entrada del agua con respecto a la calibración en la fábrica puede aumentar la temperatura de salida sobre el límite de seguridad, y puede causar riesgo de quemaduras. El instalador es responsable de la instalación y el ajuste de este aparato, en cumplimiento con estas instrucciones.

**AVISO: Riesgo de daños al producto.** Esta válvula tiene componentes de plástico y de goma. No suelde con estaño ni con latón directamente al cuerpo de la válvula. Al soldar las conexiones, no aplique calor excesivo al cuerpo de la válvula. No aplique fundente ni ácidos directamente a la válvula, pues se pueden dañar los sellos, los componentes de plástico y el acabado de la guarnición.

**AVISO: Riesgo de daños al producto.** No aplique lubricantes derivados del petróleo a los componentes de la válvula, pues se pueden causar daños.

**AVISO: Riesgo de daños al producto.** Las conexiones roscadas de entrada y salida deben tener cinta de selladora de plomería PTFE o sellador líquido. No se deben utilizar compuestos a base de aceite que no solidifiquen.

**AVISO:** No fuerce la manija en ninguna dirección. Si fuerza la manija, dañará la válvula.

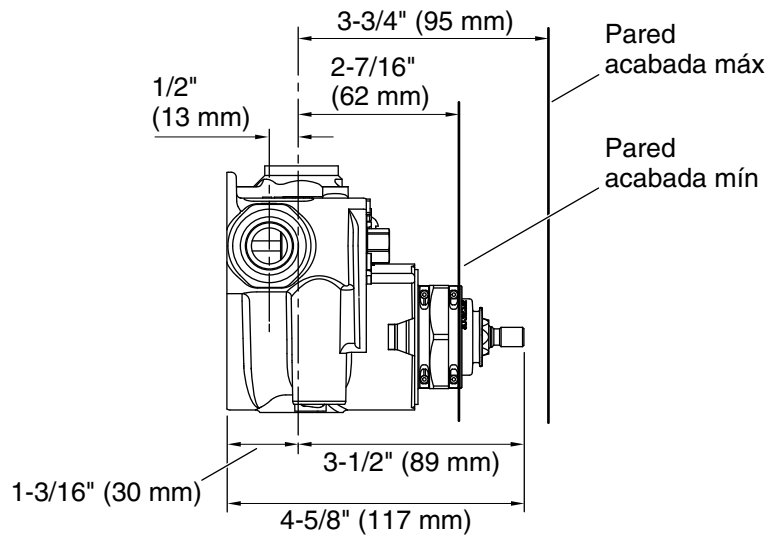
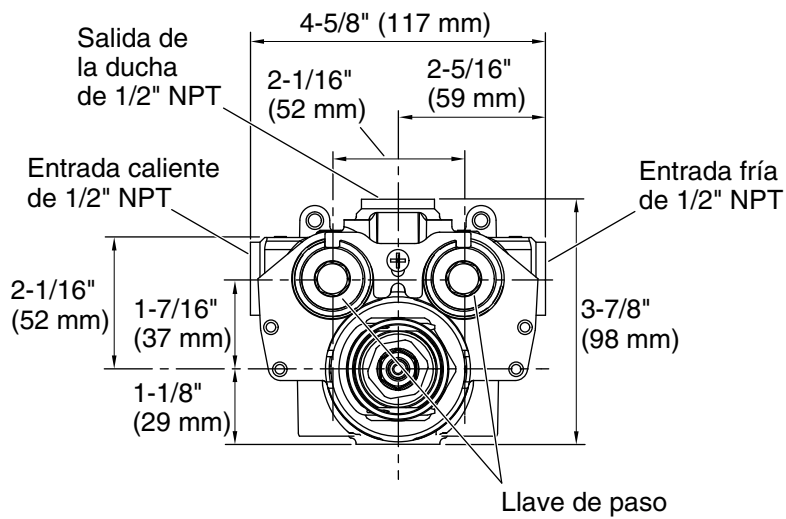
- Cumpla todos los códigos locales de plomería y construcción.
- Cierre el suministro de agua.
- Revise que las tuberías de suministro no estén dañadas. Cámbielas si es necesario.

### Antes de comenzar (cont.)

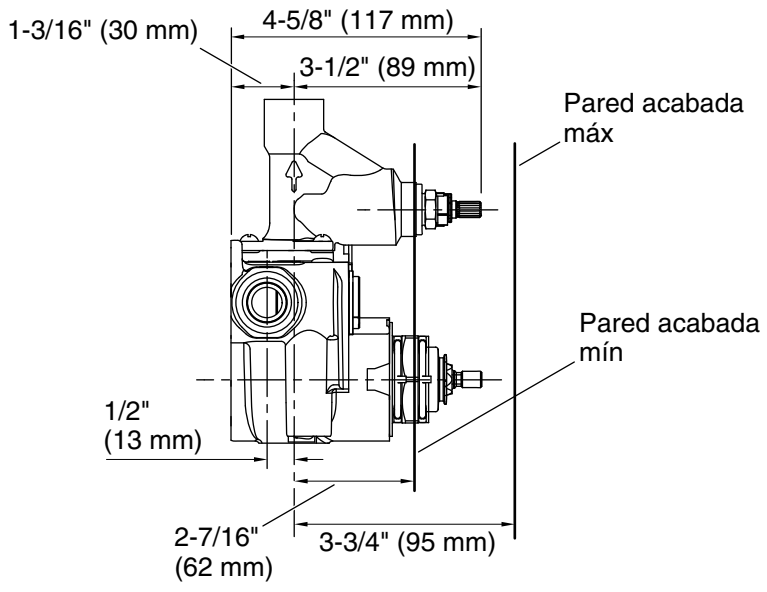
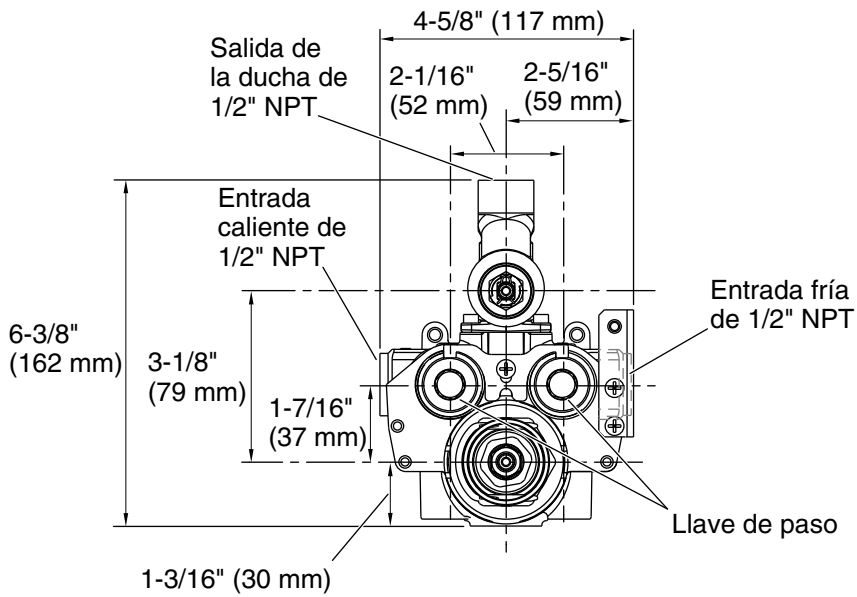
- El puerto inferior de la válvula mezcladora termostática está diseñado para usarse solamente como puerto para llenar la bañera. Si no se utiliza un surtidor de bañera con este producto, tape el puerto inferior.
- Las válvulas mezcladoras termostáticas K-2972 y K-2975 no tienen una llave de paso/control de caudal integral. Se debe instalar una llave de paso/control de caudal por separado (K-2974 o K-2977) más adelante de cualquier salida de válvula que se utilice.
- Las válvulas mezcladoras termostáticas K-2973 y K-2976 tienen una sola llave de paso/control de caudal para controlar el agua que fluye a través de la salida de la ducha. Al realizar las conexiones de plomería de la salida para la bañera de la válvula, se debe instalar una llave de paso de control de caudal por separado (K-2974 o K-2977) más adelante de la salida de la bañera.
- Las válvulas mezcladoras termostáticas no tienen un aspirador integral. En instalaciones que emplean un surtidor desviador de bañera, se debe instalar un codo de dos salidas (K-9663) con aspirador integral entre la válvula y el surtidor de bañera. Si estas válvulas mezcladoras termostáticas se instalan sin aspirador, el agua fluirá simultáneamente por el surtidor de la ducha y de la bañera.
- Determine la capacidad y el tamaño del desagüe correctos para su instalación. Si se utilizan dos válvulas mezcladoras termostáticas conjuntamente, es posible alcanzar caudales de agua entre 18 y 30 gal/min (60 y 114 l/min) o mayores, de acuerdo a la presión del agua en el suministro.
- Determine el tamaño y la capacidad del calentador de agua correctos para su instalación. Una instalación típica de ducha emplea una mezcla aproximada del 75% de agua caliente y 25% de agua fría. Una ducha a la medida con tres cabezas de ducha de 2.5 gal/min (9.5 l/min), puede gastar cerca de 45 galones (170 litros) de agua caliente en 8 minutos. Elija un calentador de agua de suficiente tamaño para su instalación.
- La válvula está calibrada a 104°F (40°C) en la posición del primer tope. El tope limitador de temperatura máxima está colocado de manera que la temperatura del agua en la salida no exceda 120°F (49°C).

### Antes de comenzar (cont.)

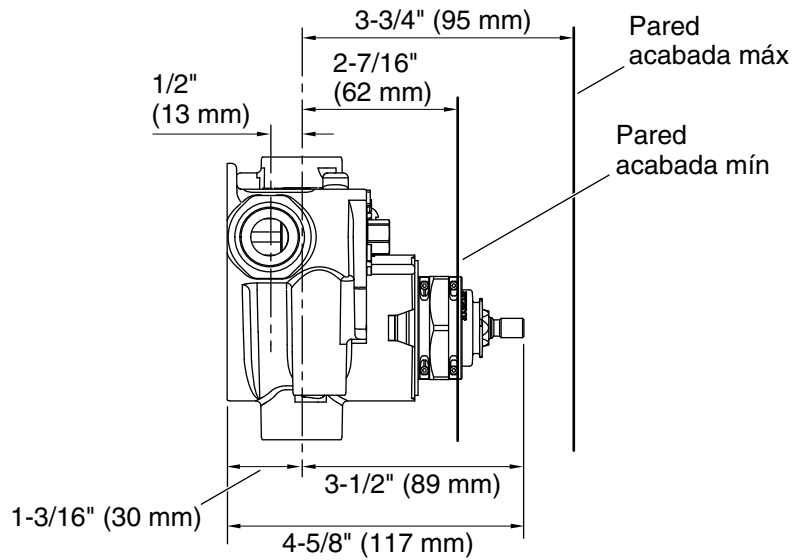
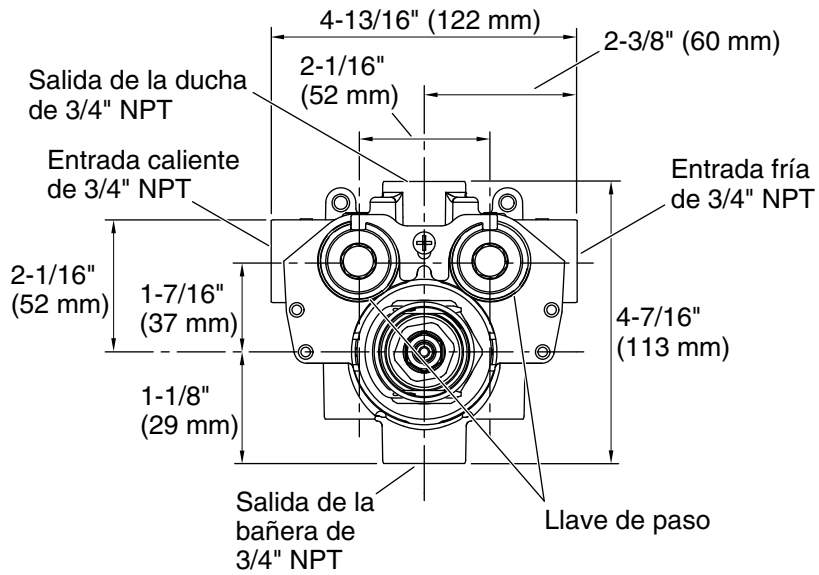
- La presión calibrada en la fábrica para las entradas de agua caliente y de agua fría es de 43.5 psi (300 kPa). La temperatura calibrada en la fábrica para el suministro de agua caliente es de 149°F (65°C) y para el suministro de agua fría es de 59°F (15°C).
- Si las condiciones de entrada difieren de las usadas durante la calibración en la fábrica, quizás sea necesario volver a calibrar la válvula después de la instalación. **El instalador debe verificar la temperatura del flujo mixto después de la instalación, y ajustar la válvula según sea necesario conforme a las instrucciones.**
- Si es posible, haga circular agua por todas las tuberías antes de instalar las válvulas, para evitar la obstrucción prematura de los filtros de rejilla.



**K-2972 - Diagrama de instalación de válvula de 1/2"**

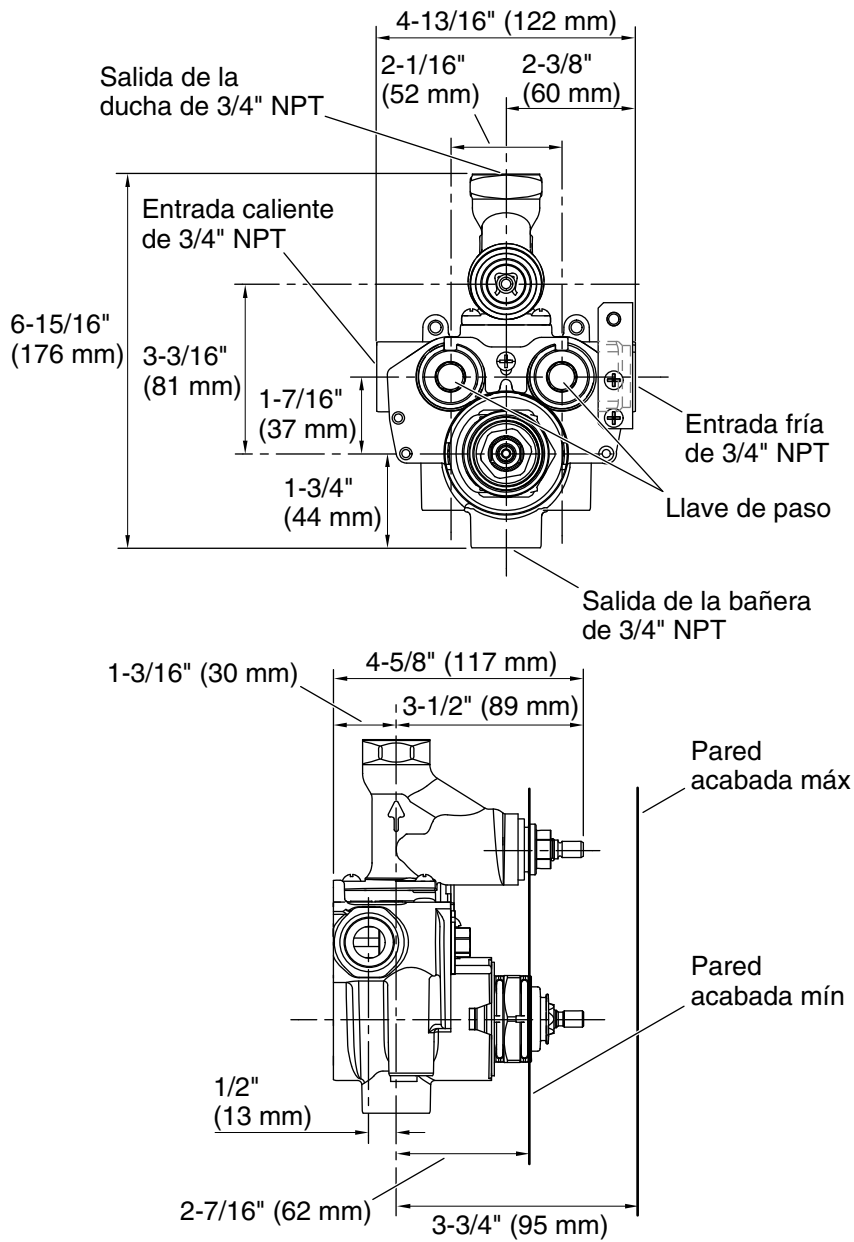


**K-2973 - Diagrama de instalación de válvula de 1/2"**



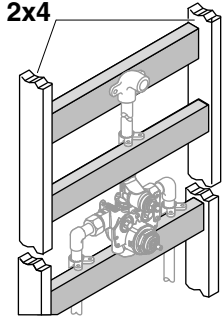
**K-2975 - Diagrama de instalación de válvula de 3/4"**



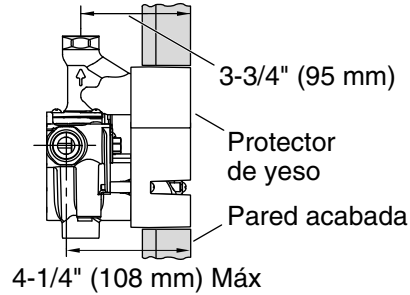
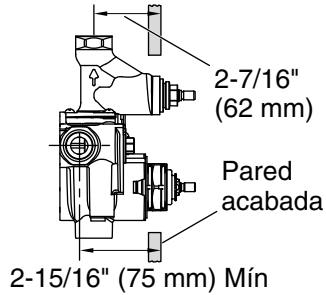
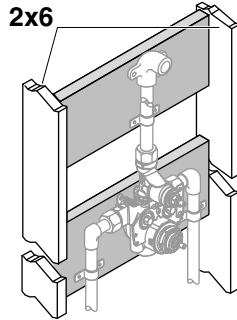


**K-2976 - Diagrama de instalación de válvula de 3/4"**

**Pared delgada**



**Pared gruesa**



## 1. Instale la estructura de soporte

**¡IMPORTANTE!** Asegúrese de que la válvula quede instalada a la profundidad correcta, de manera que quede bien colocada al instalar la pared acabada.

**NOTA:** Se muestra la configuración de solo ducha. En otras configuraciones ajuste el soporte lo necesario.

**NOTA:** Instale una tabla de refuerzo detrás de la válvula en instalaciones con postes de madera de 2x6 solamente.

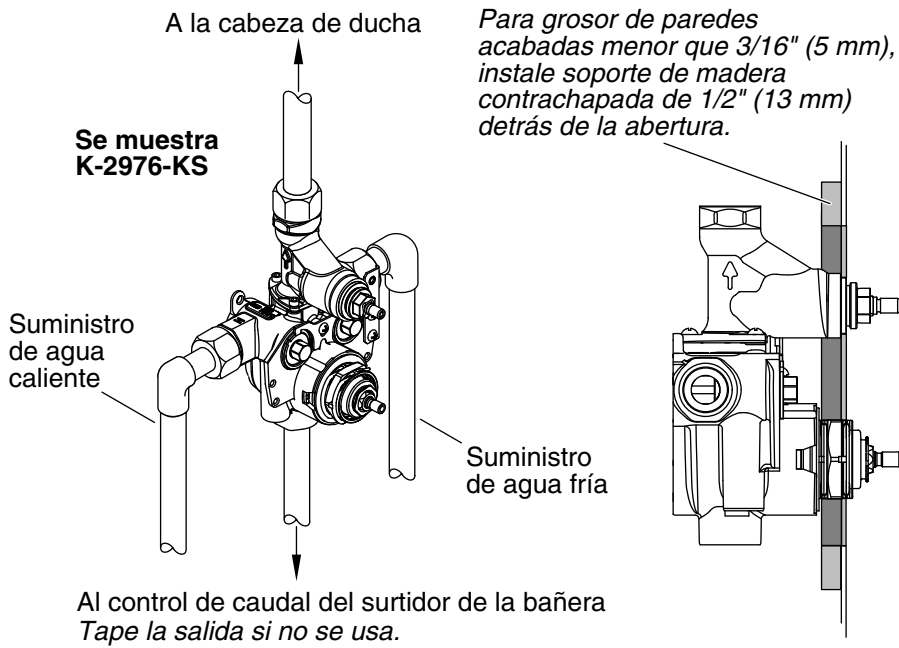
**NOTA:** Es posible que no quepa una tabla de refuerzo detrás de la válvula en instalaciones con postes de madera de 2x4. Soporte las tuberías directamente arriba y/o abajo de la válvula. Esto también dará soporte a la válvula.

**NOTA:** Al instalar la válvula K-2972 o K-2973, use tubería y conexiones de cobre de 1/2" nominal en toda esta instalación. Las tuberías de menor diámetro tanto adelante como atrás de la válvula reducen el rendimiento de la válvula.

### **Instale la estructura de soporte (cont.)**

**NOTA:** Al instalar la válvula K-2975 o K-2976, use tubería y conexiones de cobre de 3/4" nominal en toda esta instalación. Las tuberías de menor diámetro tanto adelante como atrás de la válvula reducen el rendimiento de la válvula.

- Determine la ubicación deseada de la válvula conforme al diagrama de instalación, y construya una estructura adecuada de postes y soportes para su configuración y válvula.
- Si la pared acabada es de paneles de yeso, se deben utilizar paneles de yeso de un espesor de 1/2" (13 mm) o más, ya que de lo contrario la pared acabada no será lo suficientemente fuerte.
- Determine el espesor de la pared acabada. La pared acabada no debe sobresalir del borde exterior del protector de yeso. La válvula se puede instalar con el protector de yeso al ras con la pared acabada para obtener el espesor mayor posible de pared. Si el protector de yeso queda empotrado, la pared acabada es demasiado gruesa. Consulte el diagrama que se muestra arriba.
- Instale amortiguadores de golpe de ariete en las líneas de suministro de agua fría y de agua caliente.
- Determine la ubicación deseada de la válvula conforme al diagrama de instalación, y construya una estructura adecuada de postes y soportes.



## 2. Instale la válvula

**AVISO: Riesgo de daños al producto.** Esta válvula tiene componentes de plástico y de goma. No suelde con estaño ni con latón directamente al cuerpo de la válvula. Al soldar las conexiones, no aplique calor excesivo al cuerpo de la válvula. No aplique fundente ni ácidos directamente a la válvula, pues se pueden dañar los sellos, los componentes de plástico y el acabado de la guarnición.

**AVISO: Riesgo de daños al producto.** No aplique lubricantes derivados del petróleo a los componentes de la válvula, pues se pueden causar daños.

**AVISO: Riesgo de daños al producto.** Las conexiones roscadas de entrada y salida deben tener cinta de selladora de plomería PTFE o sellador líquido. No se deben utilizar compuestos a base de aceite que no solidifiquen.

**NOTA:** El protector de yeso está instalado en el frente de la válvula mezcladora. No lo retire mientras no se le indique.

- Haga circular agua por las líneas de agua fría y de agua caliente para eliminar las partículas que pudiera haber.

## Instale la válvula (cont.)

- Utilice cinta selladora de roscas y conecte las líneas de suministro de agua fría y de agua caliente en los puertos de entrada de la válvula. Asegúrese de que las líneas de suministro correspondientes estén conectadas a los puertos de entrada correctos.

**NOTA:** Si la instalación actual de las tuberías de agua fría y de agua caliente dificulta esta configuración, o si resulta ventajoso invertir los puertos de agua fría y de agua caliente (como en instalaciones contiguas), consulte la sección "Invierta los suministros de entrada".

- Al instalar las válvulas K-2973 y K-2976, asegúrese de que la parte del montaje con la llave de paso/control de caudal integral esté en la parte superior una vez instalada.
- Conecte las líneas de salida de agua a los puertos de la válvula. Tapone los puertos de salida que no se utilicen.

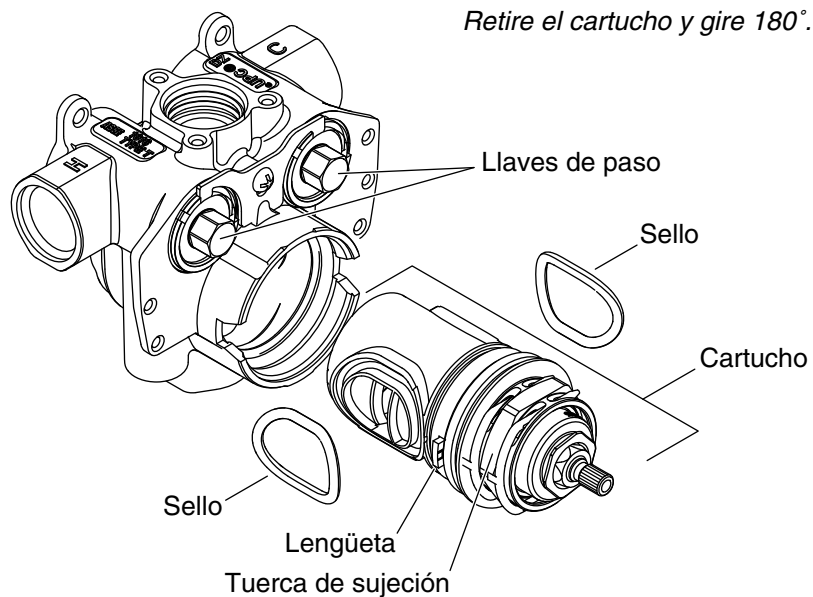
**¡IMPORTANTE!** Fije las tuberías a la estructura de postes.

**NOTA:** Al usar el protector de yeso para trazar la línea de corte, las marcas punteadas en el exterior del protector le ayudarán a identificar los centros de las ranuras.

- Utilice el protector de yeso para determinar la profundidad de la válvula en la pared y trace la línea de corte en el material de la pared.

**NOTA:** La pared acabada debe quedar entre la profundidad MÍN - MÁX indicada en los adaptadores de guarnición 1, 2 y 3 del protector de yeso.

- Abra las líneas de suministro de agua a las válvulas.
- Deje correr agua a través de la válvula mezcladora, todas las duchas y el surtidor.
- Retire el protector de yeso para tener acceso y revisar la válvula.



### 3. Invierta los suministros de entrada

**¡IMPORTANTE!** Los pasos de esta sección son opcionales. Solo realice estos pasos cuando los suministros de entrada de agua caliente y de agua fría estén invertidos.

Las conexiones de entrada están marcadas en los puertos de entrada del montaje de la válvula termostática. El lado izquierdo es para agua caliente (HOT), y el derecho para agua fría (COLD). Si esta configuración no es adecuada para su instalación, puede girar el cartucho 180° para invertir los puertos de entrada de agua caliente y de agua fría.

**NOTA:** NO jale el clip de retención del montaje del cartucho en ningún momento durante este procedimiento. El clip de retención ayuda a retener el tope limitador de temperatura y los componentes en su lugar, además de que reduce o elimina la necesidad de hacer ajustes de temperatura.

Con la válvula ya instalada y presurizada:

### **Invierta los suministros de entrada (cont.)**

- Gire ambas llaves de paso de suministro integrales 90° hacia la izquierda hasta que hagan contacto con el tope de la llave de paso.
- Gire el vástago de la válvula de control de caudal (no se muestra) totalmente hacia la derecha para liberar la presión.
- Afloje lentamente la tuerca frontal, girándola hacia la izquierda. Esto comenzará a sacar el cartucho del cuerpo de la válvula.

**NOTA:** Se saldrá un poco de agua. Utilice una cubeta y toallas para contener el agua.

- Jale la tuerca frontal con el cartucho, sacándolos del cuerpo de la válvula.

**NOTA:** Al salir el cartucho tal vez también salgan dos sellos. Coloque los sellos a un lado.

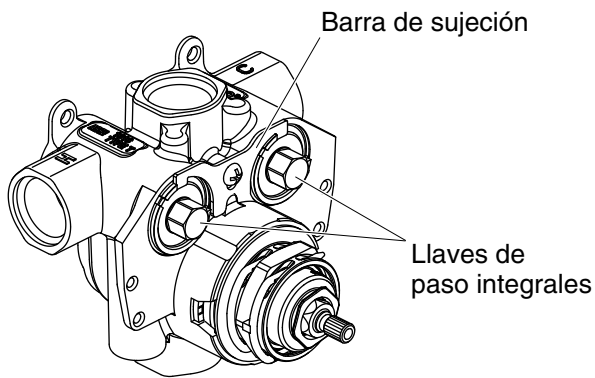
- Gire el cartucho 180°.
- Verifique que la entrada del cartucho para agua fría esté a la izquierda cuando el adaptador de la espiga de la válvula esté hacia usted.

**NOTA:** Las entradas del cartucho para agua caliente y fría están identificadas en la parte superior y en los lados de las lengüetas del cartucho. Las lengüetas están marcadas con las letras "H" y "C" para identificar caliente y fría respectivamente.

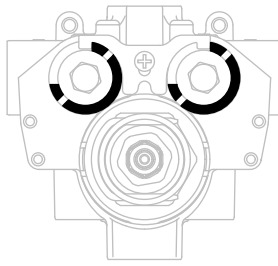
**CONSEJO:** Girar el cartucho hacia delante y hacia atrás o instalar con un movimiento de jalar-empujar reducirá la posibilidad de pellizcar los sellos laterales.

- Vuelva a instalar los sellos en cada lado del cartucho.
- Con cuidado vuelva a insertar el cartucho en el cuerpo de la válvula. Asegúrese de que ambas lengüetas del cartucho queden bien asentadas dentro de las ranuras para cartucho que tiene el cuerpo de la válvula.
- Apriete a mano la tuerca de sujeción sobre el cuerpo de la válvula. **No apriete demasiado.**
- Vuelva a colocar las llaves de paso integrales en su posición original.
- Indique en la válvula los suministros de entrada invertidos para el servicio futuro.

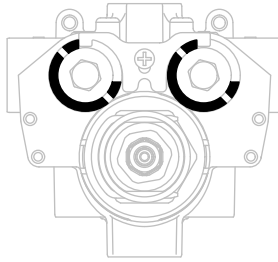
Gire las llaves de paso integrales  
90° para ABRIR/CERRAR.



#### Suministros cerrados



#### Suministros abiertos



### Funcionamiento de las llaves de paso integrales

**NOTA:** Utilice una llave de dados con un dado de 1/2" (13 mm) para ajustar las llaves de paso.

#### Cierre las llaves de paso

- Utilice una llave de dados para girar las llaves de paso integrales 90° hacia la izquierda para cerrar tanto el suministro de entrada de agua caliente como de fría.

**NOTA:** Si el cuerpo interno gira, pero el anillo exterior no gira, apriete con firmeza (hacia la derecha) la llave de paso integral. Luego gire hacia la izquierda. El anillo exterior entonces debe girar con la llave de paso integral.

**NOTA:** Si el anillo exterior aún no gira, deslice la barra de sujeción hacia arriba aflojando el tornillo. Libere las llaves de paso integrales girándolas hacia la derecha y luego regresándolas a su posición original. Deslice la barra de sujeción a su lugar y fije con el tornillo.

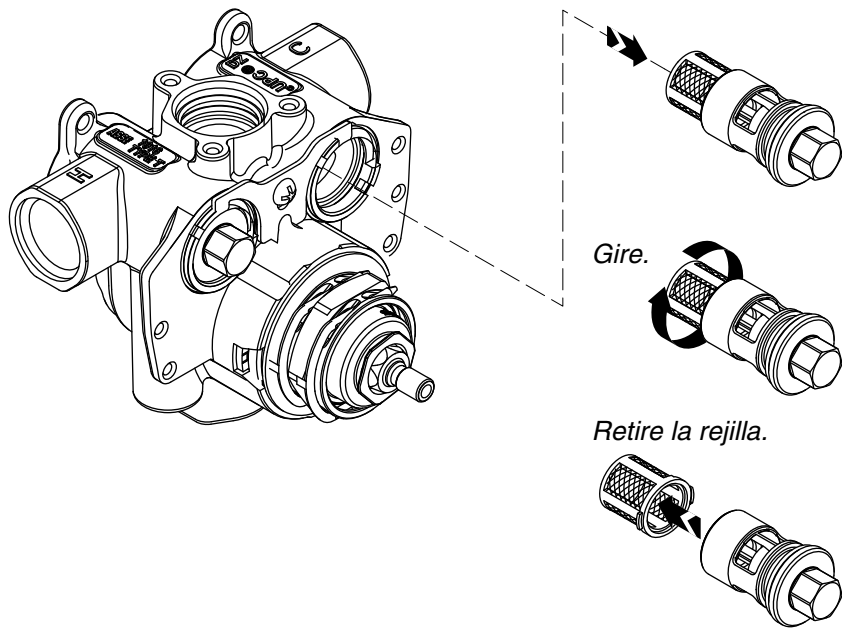
- Verifique que las llaves de paso estén cerradas utilizando el diagrama que se muestra arriba.



### **Funcionamiento de las llaves de paso integrales (cont.)**

- Gire el control de caudal hacia la izquierda para liberar el exceso de agua (no se muestra).
- El cartucho o las válvulas de retención ahora se pueden retirar para dar servicio o reemplazar.

**NOTA:** Mantenga un trapo a la mano para coleccionar el exceso de agua que drenará gradualmente al retirar el cartucho de la válvula.

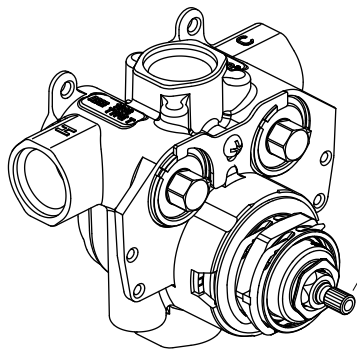


### Dé servicio a los filtros

- Retire la guarnición.
- Cierre ambas llaves de paso de acuerdo a las instrucciones de la sección anterior.
- Utilice una llave de dados con un dado de 1/2" (13 mm) para retirar el montaje de las llaves de paso (caliente a la izquierda, fría a la derecha).
- Retire el montaje de rejilla girando y jalando del cuerpo de la válvula de retención.
- Limpie o reemplace el montaje de la rejilla, según sea necesario.
- Limpie o reemplace el cuerpo de la válvula de retención, según sea necesario.
- Vuelva a instalar el montaje de la rejilla al cuerpo de la válvula de retención empujando hacia dentro y girando 90°.
- Vuelva a instalar el cuerpo de la válvula de retención girando hacia la derecha hasta que abra el cuerpo de la llave de paso.
- Abra las llaves de paso del suministro y verifique que no haya fugas.

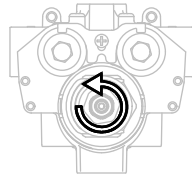
**Dé servicio a los filtros (cont.)**

- Vuelva a instalar la guarnición.

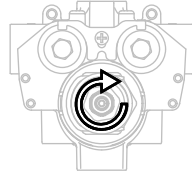


Adaptador de ranuras

### Aumentar la temperatura



### Reducir la temperatura



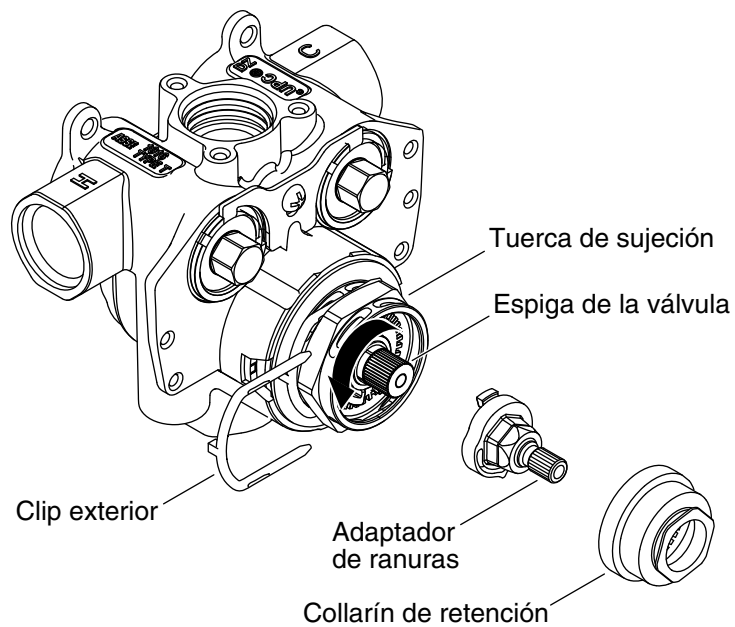
## Verifique el ajuste de la temperatura

**NOTA:** El cartucho de la válvula termostática está calibrado en fábrica para una temperatura de ducha aproximada de 104°F (40°C) a 105°F (41°C) y una temperatura caliente máxima de 120°F (49°C).

- Abra el agua.
- Fije una manija de guarnición o protector de yeso (que se encuentra en la válvula de control de caudal K-2974 o K-2977, o en la válvula de transferencia K-728) en el adaptador ranurado de la válvula.
- Gire completamente a la izquierda el adaptador ranurado, de manera que la manija de guarnición o el protector de yeso ya no se puedan mover. El adaptador ranurado ahora está en la posición de agua completamente caliente.
- Deje correr el agua durante varios minutos para estabilizar las temperaturas de suministro del agua.
- Coloque un termómetro en el flujo de agua para verificar la temperatura del agua caliente.
- Si la temperatura del agua excede de 120°F (49°C), o es menor que la temperatura deseada, continúe en la sección "Ajuste del límite de la temperatura caliente".
- Gire la manija de guarnición o el protector de yeso hacia la derecha hasta que escuche un clic. No gire más. Ésta es la posición de la temperatura de la ducha.
- Retire la manija de guarnición o el protector de yeso del adaptador ranurado de la válvula.

**Verifique el ajuste de la temperatura (cont.)**

- Coloque un termómetro en el chorro de agua para verificar la temperatura de la ducha.
- Si la temperatura del agua es menor de 104°F (40°C) a 105°F (41°C), o es mayor que la temperatura deseada, continúe en la sección "Ajuste la temperatura de la ducha".
- Si las temperaturas son correctas, llene la sección "AVISO AL USUARIO" al comienzo de este documento.

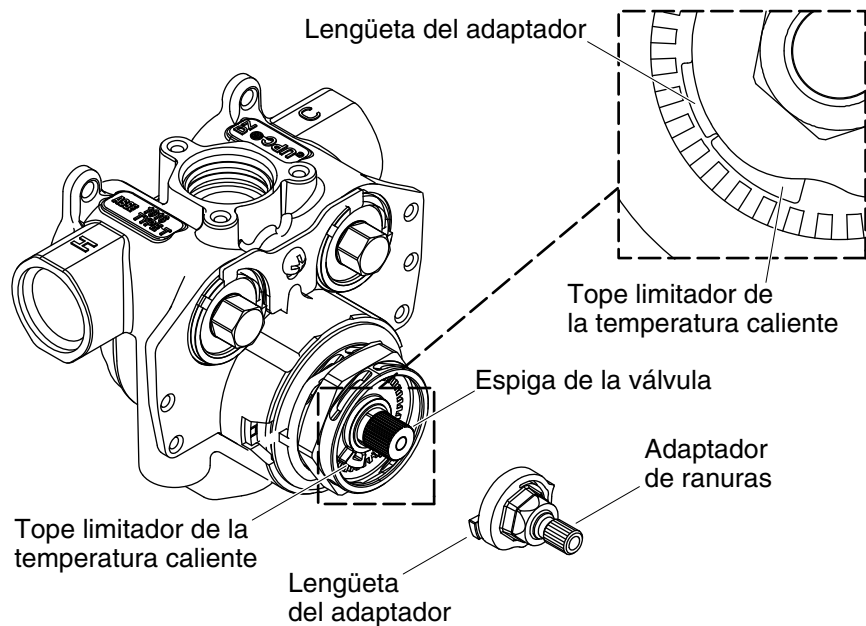


### Ajuste el límite de la temperatura caliente

- Retire el clip de retención de la tuerca frontal.
- Retire el collarín de retención.
- Retire el adaptador ranurado.

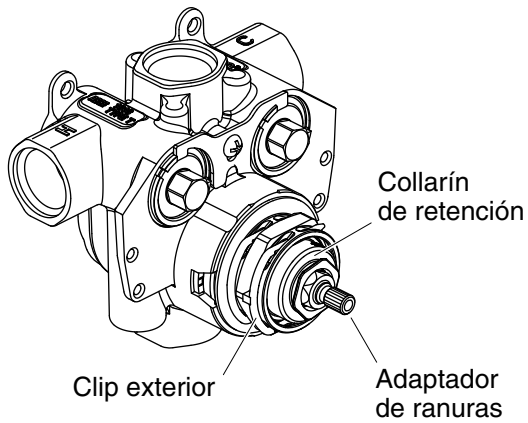
**NOTA:** Mientras realiza los ajustes, mantenga desinstalado el collarín de retención.

- Gire el vástago de la válvula totalmente hacia la izquierda.
- Abra el agua utilizando la válvula de control de caudal (no se ilustra).
- Deje correr el agua durante varios minutos hasta estabilizar la temperatura del agua.

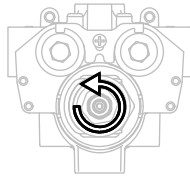


### Ajuste el límite de la temperatura caliente (cont.)

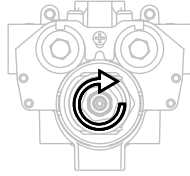
- Utilice un termómetro para verificar la temperatura del agua.
- Gire el vástago de la válvula hacia la derecha hasta que la temperatura del agua llegue a 120°F (49°C).
- Vuelva a instalar el adaptador ranurado con la lengüeta del adaptador al ras con el tope limitador de temperatura caliente en el cartucho.
- Cierre el agua utilizando la válvula de control de caudal (no se ilustra).



#### Aumentar la temperatura



#### Reducir la temperatura



### Ajuste la temperatura de la ducha

- ❑ Si el collarín de retención está instalado: Retire el clip exterior y desenganche el collarín de retención de los dientes del cartucho. No retire el collarín, déjelo que cuelgue del cartucho.
- ❑ Si el collarín de retención no está instalado: Coloque sin apretar el collarín de retención sobre el cartucho, asegurando que el collarín no engrane con los dientes del cartucho.
- ❑ Coloque la manija de guarnición (no ilustrada) o el protector de yeso (no ilustrado) en el adaptador ranurado de la válvula.
- ❑ Gire completamente a la izquierda el adaptador ranurado, de manera que la manija de guarnición o el protector de yeso ya no se puedan mover. El adaptador ranurado ahora está en la posición de agua completamente caliente.
- ❑ Retire la manija de guarnición o el protector de yeso del adaptador ranurado de la válvula.
- ❑ Abra el agua utilizando la válvula de control de caudal (no se ilustra).
- ❑ Deje correr el agua durante varios minutos hasta estabilizar la temperatura del agua.
- ❑ Sostenga un termómetro en el chorro de agua para verificar la temperatura del agua.



## Ajuste la temperatura de la ducha (cont.)

- Una vez que la temperatura del agua llegue al límite establecido de la temperatura caliente (sección "Ajuste el límite de la temperatura caliente") comience despacio a girar el collarín de retención y el adaptador ranurado hacia la derecha.

**NOTA:** Mientras gira el collarín de retención, será necesario hacer ajustes pequeños hacia dentro y fuera para asegurar que el collarín no engrane con los dientes del cartucho. Utilice el collarín de retención para girar el adaptador ranurado.

- Mientras gira el collarín y el adaptador ranurado, vigile la temperatura de salida del agua.
- Cuando la temperatura llegue a 104-105°F (40-40,5°C), empuje el collarín de retención hacia dentro hasta que encaje con los dientes del cartucho.
- Con la lengüeta del clip colocada hacia la válvula, vuelva a instalar el clip a la tuerca frontal.
- Cierre el agua utilizando la válvula de control de caudal (no se ilustra).

## Resolución de problemas

**AVISO:** El propósito de esta sección es solo ayuda general. Para obtener el servicio de garantía, llame 1-800-4KOHLER desde los EE.UU. y Canadá, o al 001-800-456-4537 desde México.

Para consultar información sobre piezas de repuesto, visite la página de su producto en [www.kohler.com/serviceparts](http://www.kohler.com/serviceparts).

Síntomas	Causa probable/Acción recomendada
1. Sólo sale agua caliente o fría en la salida de agua.	<p><b>A.</b> Los suministros de entrada están invertidos. Vea la sección "Invierta los suministros de entrada".</p> <p><b>B.</b> Verifique que no haya obstrucciones en los filtros de rejilla. Limpie si es necesario.</p>
2. Tasa de flujo reducida o fluctuante.	<p><b>A.</b> Variación de una condición externa, como presión reducida.</p> <p><b>B.</b> Verifique que no haya obstrucciones en los filtros de rejilla. Limpie si es necesario.</p> <p><b>C.</b> Asegúrese de que la tasa de flujo mínima sea suficiente para las condiciones del suministro.</p>

## Resolución de problemas (cont.)

Síntomas	Causa probable/Acción recomendada
	<p><b>D.</b> Asegúrese de que las presiones dinámicas de entrada estén reguladas nominalmente y sean suficientes.</p> <p><b>E.</b> Asegúrese de que los diferenciales de la temperatura de entrada sean suficientes.</p> <p><b>F.</b> Las llaves de paso no están completamente abiertas. Gire hacia la derecha ambas llaves de paso hasta que estén completamente abiertas.</p> <p><b>G.</b> Verifique el funcionamiento termostático; si es necesario, reemplace el cartucho termostático.</p>
<b>3.</b> No hay flujo de la salida del control de la ducha.	<p><b>A.</b> Los filtros de rejilla están obstruidos. Limpie los filtros de rejilla.</p> <p><b>B.</b> Falla del suministro de agua fría o caliente. Reemplace la llave de paso.</p> <p><b>C.</b> El cartucho de control de flujo no funciona. Revise y reemplace si es necesario.</p> <p><b>D.</b> Las llaves de paso de servicio están cerradas. Gire hacia la derecha ambas llaves de paso hasta que estén completamente abiertas.</p>
<b>4.</b> Fluctuación en la temperatura de mezcla.	<p><b>A.</b> Indica que han cambiado las condiciones de funcionamiento. No se requiere acción alguna.</p> <p><b>B.</b> Consulte el síntoma 2.</p> <p><b>C.</b> Fluctuación de la temperatura del suministro de agua caliente.</p> <p><b>D.</b> Fluctuación de la presión de suministro.</p>
<b>5.</b> Agua caliente en suministro de agua fría o agua fría en suministro de agua caliente.	<p><b>A.</b> Indica contracorriente. Reemplace la válvula de retención.</p>
<b>6.</b> El ajuste de la temperatura máxima de la mezcla es muy alto o muy bajo.	<p><b>A.</b> Indica un ajuste incorrecto para la temperatura máxima; consulte la sección "Ajuste el límite de la temperatura caliente".</p> <p><b>B.</b> Consulte el síntoma 4.</p> <p><b>C.</b> Consulte el síntoma 5.</p>

## Resolución de problemas (cont.)

Síntomas	Causa probable/Acción recomendada
7. Fuga de agua en el cuerpo de la válvula.	<b>A.</b> El sello o los sellos están gastados o dañados. Adquiera el kit de servicio y reemplace el sello o los sellos. <b>B.</b> Si la fuga es de alrededor del husillo de temperatura, reemplace el cartucho termostático.
8. La perilla de flujo o la perilla de temperatura está dura para operar.	<b>A.</b> Los componentes internos carecen de movimiento libre. Reemplace el cartucho correspondiente. <b>B.</b> Las presiones de los suministros están muy altas. Adapte una válvula de reducción de presión.

## Garantía

### Garantía limitada de por vida para la grifería KOHLER®

Kohler Co. garantiza la grifería\* fabricada después del 1 de enero de 1997 contra problemas de fugas y goteo durante el uso residencial normal, mientras el comprador consumidor original sea el propietario de su casa. En caso de que la grifería presente fugas o goteo durante el uso normal, Kohler Co. enviará por correo y sin ningún cargo al comprador original, el cartucho necesario para que la Grifería funcione correctamente. Esta garantía se aplica solo a la grifería Kohler instalada en los Estados Unidos de América, Canadá o México ("Norteamérica").

Kohler Co. también garantiza todas las demás características de la grifería o accesorios ("Grifería")\*, (excepto los acabados de oro, que no sean Vibrant®, o que no sean de cromo) contra defectos de material y mano de obra, durante el uso residencial normal, mientras el comprador consumidor original sea el propietario de su casa. Esta garantía se aplica solo a la grifería Kohler instalada en Norteamérica. Si se encuentra un defecto durante el uso residencial normal, Kohler Co., a su criterio, reparará, proveerá un repuesto o producto, o realizará los ajustes pertinentes. Esta garantía no cubre daños causados por accidentes, abuso o uso indebido del producto. El cuidado y la limpieza indebidos anulan la garantía.\*\* Al presentar las reclamaciones de garantía a Kohler Co., es necesario incluir el comprobante de compra (recibo de venta original). Kohler Co. no se hace responsable de costos de mano de obra, instalación u otros costos incidentales o indirectos. En ningún caso la responsabilidad de Kohler Co. excederá el precio de compra de la grifería.

Si la grifería se utiliza comercialmente o si se instala fuera del territorio

## **Garantía (cont.)**

de Norteamérica, o si el acabado es de oro, no es Vibrant o es un acabado de color con revestimiento de pintura o polvo, Kohler Co. garantiza la grifería contra defectos de material y mano de obra durante un (1) año a partir de la fecha de instalación, bajo la garantía limitada de un año estándar de Kohler Co.

Si usted considera que tiene una reclamación en virtud de la garantía, comuníquese con Kohler Co. a través de su distribuidor, contratista de plomería, centro de remodelación o distribuidor por Internet, o escriba a Kohler Co., Attn.: Customer Care Center, 444 Highland Drive, Kohler, WI 53044, USA. Asegúrese de proporcionar toda la información pertinente a su reclamación, incluida una descripción completa del problema, el producto, el número de modelo, el color, el acabado, la fecha de compra y el lugar de compra del producto. También incluya el recibo original. Para consultar información adicional, o para obtener el nombre y la dirección del lugar de reparación y servicio más cercano a usted, llame al 1-800-4-KOHLER (1-800-456-4537) en los EE.UU. y Canadá, y al 001-800-456-4537 en México, o visite [www.kohler.com](http://www.kohler.com) en los EE.UU., [www.ca.kohler.com](http://www.ca.kohler.com) en Canadá, o [www.mx.kohler.com](http://www.mx.kohler.com) en México.

**KOHLER CO. Y/O EL VENDEDOR OFRECEN ESTAS GARANTÍAS QUE SUSTITUYEN A TODAS LAS DEMÁS GARANTÍAS, EXPRESAS O IMPLÍCITAS, INCLUIDAS, ENTRE OTRAS, LAS GARANTÍAS IMPLÍCITAS DE COMERCIALIZACIÓN E IDONEIDAD PARA UN USO DETERMINADO. KOHLER CO. Y/O EL VENDEDOR DESCARGAN TODA RESPONSABILIDAD POR CONCEPTO DE DAÑOS PARTICULARES, INCIDENTALES O INDIRECTOS. Algunos estados/algunas provincias no permiten limitaciones en cuanto a la duración de una garantía implícita o a la exclusión o limitación de dichos daños, por lo que es posible que estas limitaciones y exclusiones no se apliquen a su caso. Esta garantía otorga al consumidor ciertos derechos legales específicos. Además, usted puede tener otros derechos que varían de estado a estado y de provincia a provincia.**

**Esta es la garantía exclusiva por escrito de Kohler Co.**

\*La grifería Trend<sup>®</sup>, la torre MasterShower<sup>®</sup>, los sistemas y los componentes BodySpa, la torre, los sistemas y los componentes WaterHaven<sup>®</sup>, las griferías Tripoint<sup>®</sup>, el acabado en oro pulido, que no sea Vibrant, y los acabados con revestimiento de pintura o en polvo, las conexiones, todos los artículos contenidos en la sección "Fixture Related" de la lista de precios de la grifería Kohler, los desagües, las coladeras de fregadero Duostrainer<sup>®</sup>, los dispensadores de jabón y loción, la bocina inalámbrica Moxie<sup>®</sup>; y la grifería de uso comercial e instalada fuera del territorio de Norteamérica, están cubiertos por la

**Garantía (cont.)**

garantía limitada de un año de Kohler Co.

**\*\*Nunca utilice limpiadores que contengan abrasivos, amoníaco, blanqueador, ácidos, ceras, alcohol, disolventes u otros productos no recomendados para el cromo. Esto anula la garantía.**

1205551-2-C

1205551-2-C

USA/Canada: 1-800-4KOHLER

México: 001-800-456-4537

[kohler.com](http://kohler.com)

THE BOLD LOOK  
OF **KOHLER**®

©2015 Kohler Co.

1205551-2-C