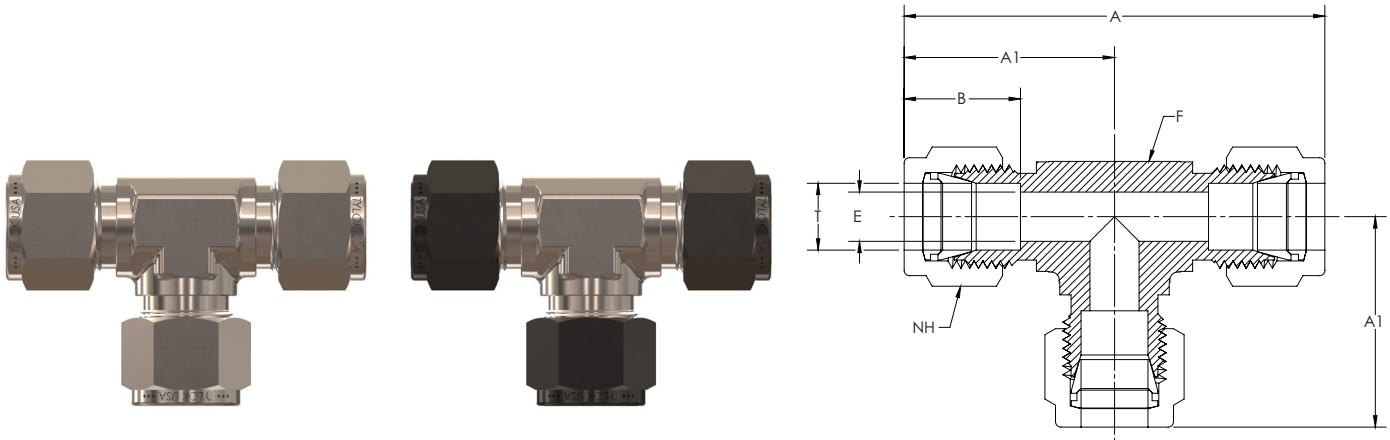


DTTT/STTT Union Tee



CBC PART NUMBER	INTERCHANGES WITH	CS PART NUMBER	INTERCHANGES WITH	T TUBE O.D.	A	A1	A2	B	B1	E THRU HOLE	NH NUT HEX	NH1 NUT HEX	W WRENCH FLAT
1-DTTT-1	100-3 1ET1	1-STTT-1	1-1-1 JBZ	1/16	1.61	0.80	-	0.34	-	0.05	5/16	-	1/2
2-DTTT-2	200-3 2ET2	2-STTT-2	2-2-2 JBZ	1/8	1.95	0.98	-	0.52	-	0.09	7/16	-	1/2
3-DTTT-3	300-3 3ET3	3-STTT-3	3-3-3 JBZ	3/16	2.00	1.00	-	0.54	-	0.13	1/2	-	1/2
4-DTTT-4	400-3 4ET4	4-STTT-4	4-4-4 JBZ	1/4	2.13	1.06	-	0.61	-	0.19	9/16	-	1/2
5-DTTT-5	500-3 5ET5	5-STTT-5	5-5-5 JBZ	5/16	2.38	1.19	-	0.65	-	0.25	5/8	-	5/8
6-DTTT-6	600-3 6ET6	6-STTT-6	6-6-6 JBZ	3/8	2.42	1.21	-	0.67	-	0.28	11/16	-	5/8
8-DTTT-8	810-3 8ET8	8-STTT-8	8-8-8 JBZ	1/2	2.84	1.42	-	0.90	-	0.41	7/8	-	13/16
10-DTTT-10	1010-3 10ET10	10-STTT-10	10-10-10 JBZ	5/8	3.14	1.57	-	0.96	-	0.50	1	-	1 1/16
12-DTTT-12	1210-3 12ET12	12-STTT-12	12-12-12 JBZ	3/4	3.14	1.57	-	0.96	-	0.63	1 1/8	-	1 1/16
14-DTTT-14	1410-3 14ET14	14-STTT-14	14-14-14 JBZ	7/8	3.51	1.76	-	1.02	-	0.72	1 1/4	-	1 3/8
16-DTTT-16	1610-3 16ET16	16-STTT-16	16-16-16 JBZ	1	3.89	1.95	-	1.24	-	0.88	1 1/2	-	1 3/8

Dimensions subject to change, to be used for reference only.