

# DWV GROUND STAKE

## »» 535 SERIES

### SPECIFICATION

Sioux Chief's 535 series DWV ground stake shall be used where necessary to secure 1-1/2" through 6" Schedule 40 DWV pipe on grade preventing stub ups from moving or floating the concrete pour. Plastic head of ground stake shall be designed to fit diameter of #3 rebar. Plastic head models shall be available in 14" or 26" lengths. All-steel models shall be available in 14" length.

### INSTALLATION

During ground rough stage, position ground stake head on top of pipe. Hammer stake into dirt or gravel to secure pipe in place.

When needing to support pipe above the dirt level, the plastic head can be purchased separately and installed in the inverted position on #3 rebar. Place pipe in cradle of plastic head and secure pipe using wire, cable ties, tape, etc.

When needing to support pipe above dirt level with all-steel ground stake, position pipe on top of steel hook and secure pipe to drive stake using wire, cable ties, tape, etc.

### MATERIALS

**Plastic head:** Polyethylene

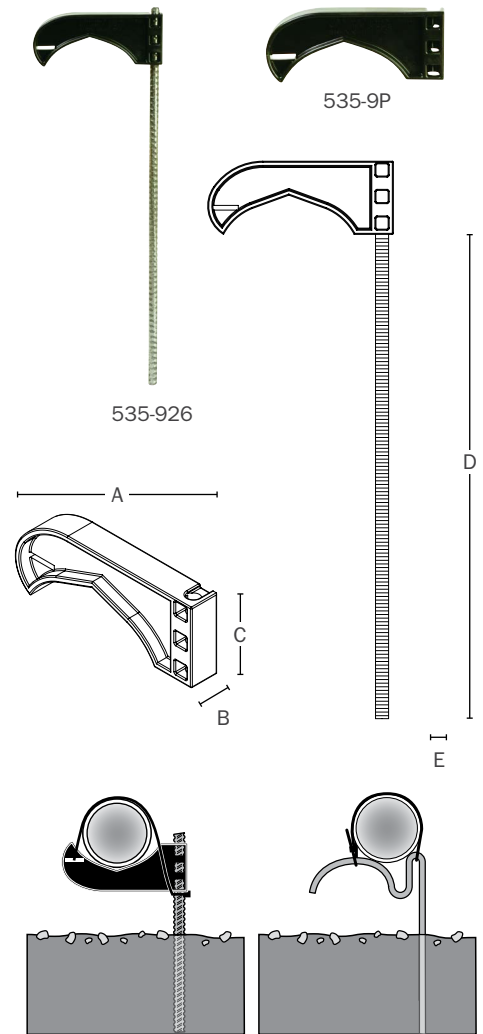
**Stake:** Carbon steel rebar (#3)

**All-steel model:** Carbon steel

### DIMENSIONS

	535-9P	535-14	535-914	535-926
<b>A:</b> Plastic head length	5.33"	—	5.33"	5.33"
<b>B:</b> Plastic head width	.78"	—	.78"	.78"
<b>C:</b> Plastic head height	2.10"	—	2.10"	2.10"
<b>D:</b> Rod length	—	14"	14"	26"
<b>E:</b> Rod diameter (nominal)	—	.375"	.375"	.375"

ITEM # SUBMITTED	_____
JOB NAME	_____
LOCATION	_____
ENGINEER	_____
CONTRACTOR	_____
PO#	_____ TAG _____



Inverted installation examples

US Patent 6,901,716 B1

Made in USA

### Create Item Number

## 535-A

e.g. 535-914: 14" ground stake with plastic head

### TUBE SIZE A

**14** = All steel, 14" long

**9P** = Polyhead only

**914** = Polyhead, 14" long

**926** = Polyhead, 26" long