

Application:

The Vital-Flo Descaler Kit (4387-01) was developed for descaling tankless water heaters. Everything needed for descaling is included: pump, two flushing hoses, bottle of Vital-Flo Descaler and a container, complete with a lid and pop-out plug.

The Vital-Flo pump is a submersible pump designed to circulate Vital-Flo solution to restore performance and efficiency of a tankless water heater by the removal of lime scale formed from scale-forming minerals naturally occurring in the water.

Pump Specifications:

Motor: 1/6 horsepower
 115 volts / 60 hertz
 Amps: 2 Watts: 200
 Power cord: 16 AWF 3-conductor, copper, stranded, 8 ft.
 Protection: Thermal overload protection, automatic reset feature
 Listing: cULus

Capacity - Gallons per Minute

| | | | |
|-----------|--------|--------|---------|
| Lift: | 5 ft. | 10 ft. | 15 ft. |
| Capacity: | 11 GPM | 8 GPM | 2.5 GPM |

Discharge: 3/4" male NHT (garden hose)

Intake: 1/8" screened opening

Pump Housing: Thermoplastic

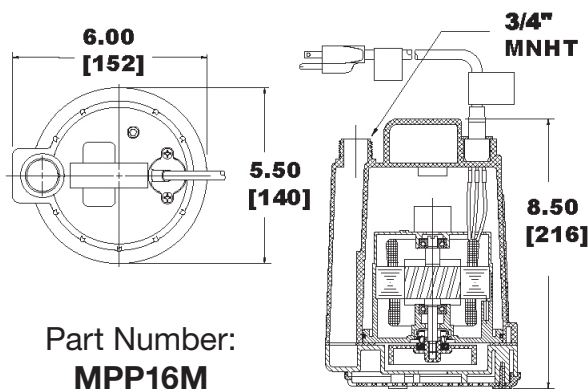
Cooling: The motor housing transfers heat to the Vital solution (volute). The pump is capable of operating with the motor housing partially exposed for extended period of time, providing sufficient motor cooling and bearing lubrication. However, for best cooling and longest motor life, the diluted Vital-Flo solution should be above the pump housing during operation.

Notes on using pump:

1. The MPP16M submersible pump is equipped with a three-prong electrical plug. The third prong grounds the pump to prevent possible electrical shock hazard. Do not remove the third prong from the plug.
2. The pump motor is equipped with an automatic resetting thermal protector and may start unexpectedly. Protector tripping is an indication of motor overloading as a result of excessively high or low voltage, inadequate wiring, incorrect motor connections or a defective motor or pump.
3. DO NOT USE TO PUMP FLAMMABLE OR EXPLOSIVE FLUIDS SUCH AS GASOLINE, FUEL, OIL, KEROSENE, ETC. DO NOT USE IN EXPLOSIVE ATMOSPHERES

Specialty Products

Vital-Flo Tankless Water Heater Descaler Kit



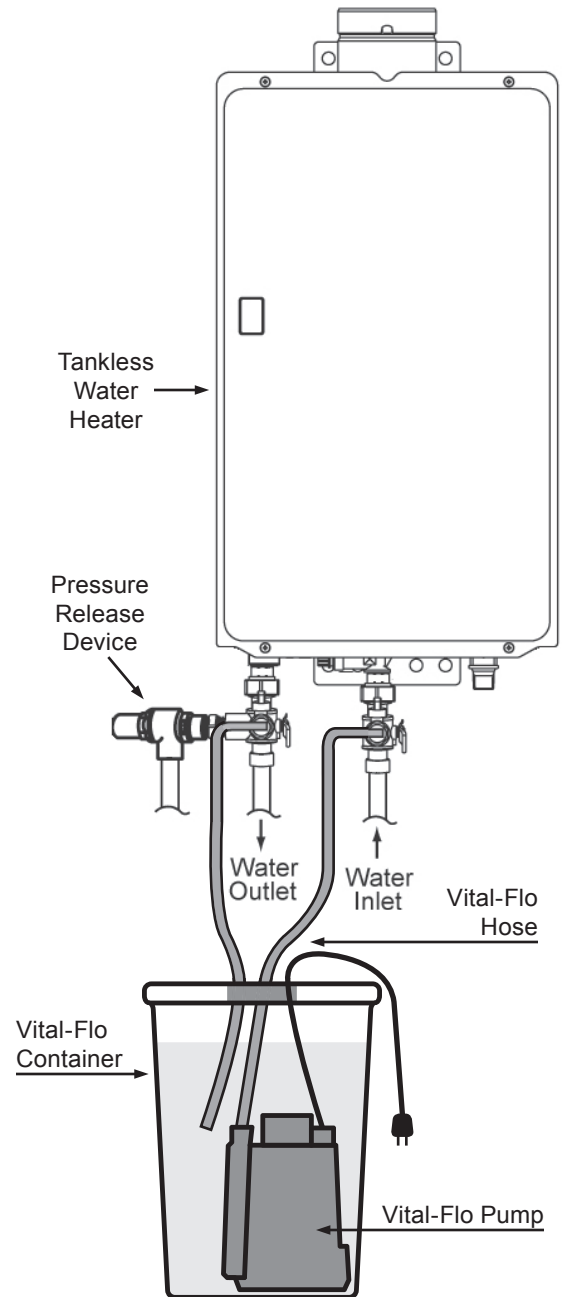
OR HAZARDOUS LOCATIONS AS CLASSIFIED BY NEC, ANSI/NFPA70. FAILURE TO FOLLOW THIS WARNING CAN RESULT IN PERSONAL INJURY AND/OR PROPERTY DAMAGE.

4. Do not pump highly abrasive solutions.
5. Do not operate the pump dry. The pump MUST BE COMPLETELY SUBMERSED when operating to prevent overheating and motor burn-out.
6. Do not oil the motor. The pump housing is sealed. A high grade dielectric oil devoid of water has been put into the motor housing at the factory. Use of other oil could cause serious electric shock and/or permanent damage to the pump.

Directions for use:

If available, refer to the manufacturer's guidelines for equipment prep prior to descaling the water heater.

1. Disconnect power to the tankless water heater.
2. Turn gas shut-off valve to 'off' position.
3. Close the hot and cold water isolation valves.
4. Ensure hot and cold service valves are closed and remove caps.
5. Fill container with two gallons of water and place under water heater. Remove plug from lid.
6. Connect first hose to the pump and pass the other end through hole in lid; connect to cold drain valve. Place Vital-Flo submersible pump into container.
7. Connect second hose to hot drain valve and pass other end through hole in lid so that it will drain into container properly.
8. Pour entire contents (8 fluid ounces) of Vital-Flo Descaler into container and snap on lid.
9. Open both the cold and hot service valves.
10. Plug the pump into a grounded receptacle. Circulate solution through the heater for 45 minutes. Unplug pump.
11. Close cold service valve. Remove hose from cold water service valve and replace cap. Leave other hose connected to hot water service valve.
12. Remove pump from container and disconnect hose. Discard solution. Always purge pump with fresh water after use.
13. Flush tankless water heater for 5 minutes by opening the cold water isolation valve and allow water to flow out the hot water service valve to drain or into the container. If container is used, it must be emptied several times.
14. Close hot service valve, remove hose and replace service cap. Open hot water isolation valve.
15. Connect power to water heater, open gas valve and return device to service.



Vital-Flo Descaler Kit Set-Up

