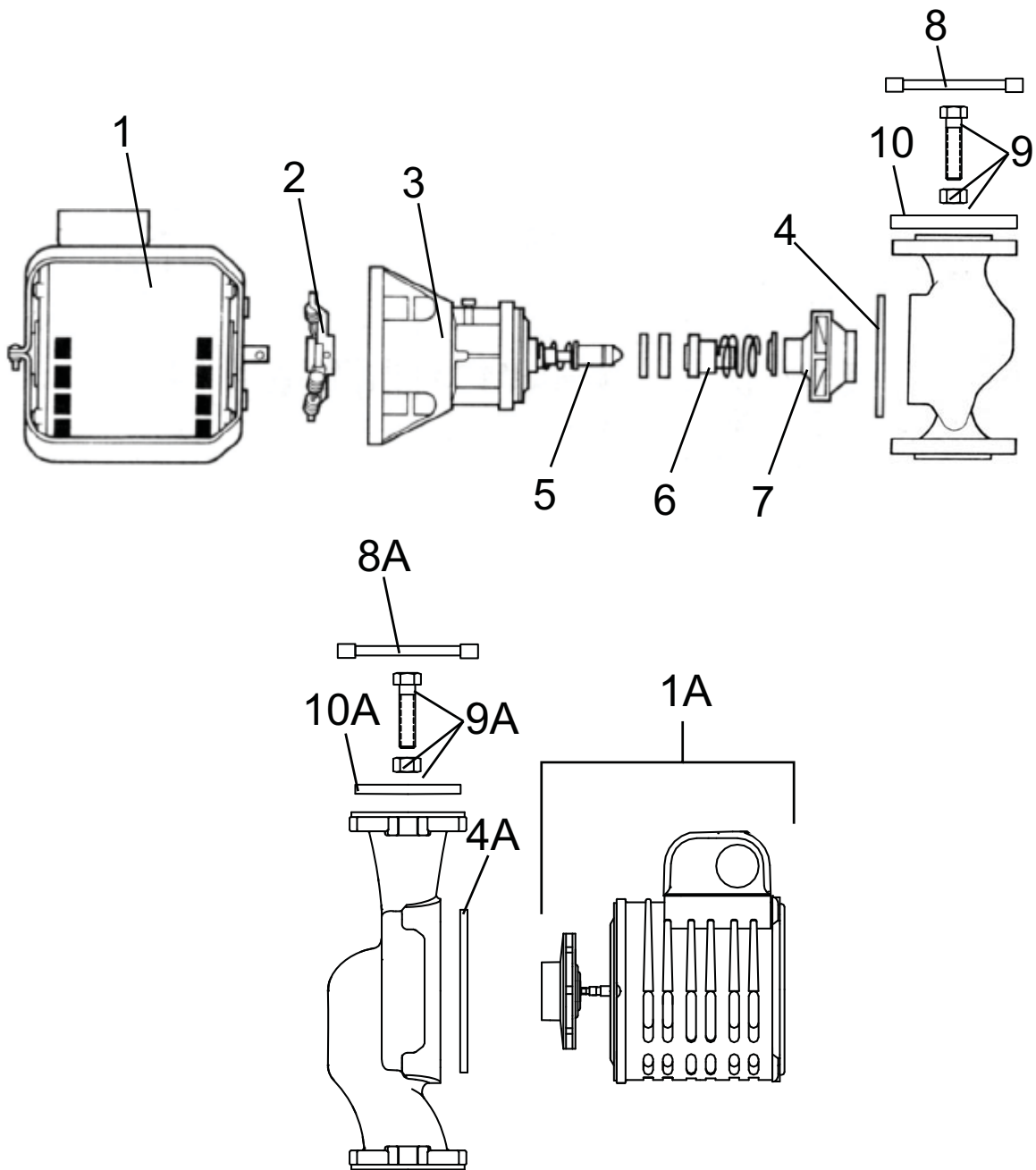




# Replacement Parts List

**PARTS & SERVICE DEPARTMENT**  
Nashville, Tennessee  
615-889-8900 • Fax: 615-882-2918  
parts\_team@lochinvar.com  
www.Lochinvar.com

## CIRCULATING PUMPS for Domestic Hot Water



ITEM NO.	PART NUMBER	DESCRIPTION
1	ARM1019	MOTOR
2	ARM1007	COUPLER
3	ARM1046	SEAL BEARING ASSEMBLY
4	ARM1011	VOLUTE GASKET
5	ARM1002	BEARING MODULE
6	ARM1001	SEAL KIT
7	ARM1023	IMPELLER
8	ARM1033	FLANGE PAB - 2" (REQ. 2)
8	ARM1029	FLANGE PBF - 2" (REQ. 2)
9	ARM1058	BOLT & GASKET KIT
10	ARM1014	FLANGE GASKET

## CP(N,L)401-751, CS(N,L)495-745

ARM3044PABTE 1/4 HP

ITEM NO.	PART NUMBER	DESCRIPTION
1	ARM1045	MOTOR
2	ARM1007	COUPLER
3	ARM1046	SEAL BEARING ASSEMBLY
4	ARM1011	VOLUTE GASKET
5	ARM1002	BEARING MODULE
6	ARM1001	SEAL KIT
7	ARM1023	IMPELLER
8	ARM1033	FLANGE - 2" (REQ. 2)
9	ARM1058	BOLT & GASKET KIT
10	ARM1014	FLANGE GASKET

## CF(N,L) 991-2071 &amp; 990-2070 , CW(N,L) 936-2066 &amp; 985-2065

ARM3024PAB(PBF) 1/2 HP

ITEM NO.	PART NUMBER	DESCRIPTION
1	ARM1016	MOTOR
2	ARM1008	COUPLER
3	ARM1005	SEAL BEARING ASSEMBLY
4	ARM1010	VOLUTE GASKET
5	ARM1002	BEARING MODULE
6	ARM1001	SEAL KIT
7	ARM1026	IMPELLER
8	TFL2079	FLANGE PAB - 2.5" (REQ. 2)
8	ARM1030	FLANGE PBF - 2.5" (REQ. 2)
9	ARM1050	BOLT & GASKET KIT
10	ARM1013	FLANGE GASKET

## CP(N,L) 991-1441 &amp; 990-2070, CS(N,L)985-2065

ARM3024PABTE 1/2 HP

ITEM NO.	PART NUMBER	DESCRIPTION
1	ARM1040	MOTOR
2	ARM1008	COUPLER
3	ARM1005	SEAL BEARING ASSEMBLY
4	ARM1010	VOLUTE GASKET
5	ARM1002	BEARING MODULE
6	ARM1001	SEAL KIT
7	ARM1026	IMPELLER
8	TFL2079	FLANGE - 2.5" (REQ. 2)
9	ARM1060	BOLT & GASKET KIT
10	ARM1013	FLANGE GASKET

## CP(N,L) 1801-2071

ARM3072PABTE 3/4 HP

ITEM NO.	PART NUMBER	DESCRIPTION
1	ARM1069	MOTOR
2	ARM1008	COUPLER
3	ARM1005	SEAL BEARING ASSEMBLY
4	ARM1010	VOLUTE GASKET
5	ARM1002	BEARING MODULE
6	ARM1001	SEAL KIT
7	ARM1051	IMPELLER
8	TFL2079	FLANGE - 2.5" (REQ. 2)
9	ARM1050	BOLT & GASKET KIT
10	ARM1013	FLANGE GASKET

ITEM NO.	PART NUMBER	DESCRIPTION
1	ARM1017	MOTOR
2	ARM1008	COUPLER
3	ARM1005	SEAL BEARING ASSEMBLY
4	ARM1010	VOLUTE GASKET
5	ARM1002	BEARING MODULE
6	ARM1001	SEAL KIT
7	ARM1026	IMPELLER
8	ARM1032	FLANGE PAB - 2" (REQ. 2)
8	ARM1009	FLANGE PBF - 2" (REQ. 2)
9	ARM1053	BOLT & GASKET KIT
10	ARM1013	FLANGE GASKET

## PF(N,L)501 A05H00172528 &amp; AFTER

PUM3006 2/5 HP

## PF(N,L)502 - 1302

PUM3013 2/5 HP

ITEM NO.	PART NUMBER	DESCRIPTION
1A	PUM10002	PUMP LESS VOLUTE
4A	ARM1063	VOLUTE GASKET
8A	ARM1032	FLANGE - 2" (REQ. 2)
9A	ARM1053	BOLT & GASKET KIT
10A	ARM1013	FLANGE GASKET

## PF(N,L)751-1300 A05H00172528 &amp; AFTER

ARM3025PAB 1/2 HP

ITEM NO.	PART NUMBER	DESCRIPTION
1	ARM1067	MOTOR
2	ARM1008	COUPLER
3	ARM1005	SEAL BEARING ASSEMBLY
4	ARM1010	VOLUTE GASKET
5	ARM1002	BEARING MODULE
6	ARM1001	SEAL KIT
7	ARM1026	IMPELLER
8	TFL2079	FLANGE - 2.5" (REQ. 2)
9	ARM1060	BOLT & GASKET KIT
10	ARM1013	FLANGE GASKET

## PF(N,L)1501-2001 &amp; 1500-2000

ARM3077PAB(PBF) 3/4 HP

ITEM NO.	PART NUMBER	DESCRIPTION
1	ARM1049	MOTOR
2	ARM1008	COUPLER
3	ARM1005	SEAL BEARING ASSEMBLY
4	ARM1010	VOLUTE GASKET
5	ARM1002	BEARING MODULE
6	ARM1001	SEAL KIT
7	ARM1051	IMPELLER
8	TFL2079	FLANGE PAB & PBF - 2.5" (REQ. 2)
9	ARM1060	BOLT & GASKET KIT
10	ARM1013	FLANGE GASKET

## CW2620-M9 &amp; CWN3080-M9-100

ARM3032PAB(PBF) 1/3 HP

ITEM NO.	PART NUMBER	DESCRIPTION
1	ARM1020	MOTOR
2	ARM1007	COUPLER
3	ARM1046	SEAL BEARING ASSEMBLY
4	ARM1011	VOLUTE GASKET
5	ARM1002	BEARING MODULE
6	ARM1001	SEAL KIT
7	ARM1024	IMPELLER
8	ARM1068	FLANGE PAB - 3" (REQ. 2)
8	ARM1027	FLANGE PBF - 3" (REQ. 2)
9	ARM1072	BOLT & GASKET KIT
10	ARM1014	FLANGE GASKET

CW(N,L) 90-500 , CP(N,L)180-085 thru 360-100, RW(N,L)45-500 ARM3045PAB(PBF) 1/6 HP

ITEM NO.	PART NUMBER	DESCRIPTION
1A	PUM10000	PUMP LESS VOLUTE
4A	ARM1063	VOLUTE GASKET
8A	ARM1080	FLANGE PAB - 1.5" (REQ. 2)
8A	ARM1036	FLANGE PBF - 1.5" (REQ. 2)
9A	ARM1057	BOLT & GASKET KIT
10A	ARM1052	FLANGE GASKET

**EP150-300** ARM3074PAB(PBF) 1/6 HP

ITEM NO.	PART NUMBER	DESCRIPTION
1A	PUM10001	PUMP LESS VOLUTE
4A	ARM1063	VOLUTE GASKET
8A	ARM1032	FLANGE PAB - 2" (REQ. 2)
8A	ARM1009	FLANGE PBF - 2" (REQ. 2)
9A	ARM1053	BOLT & GASKET KIT
10A	ARM1048	FLANGE GASKET

**IB-IW(N,L)1500-2000** ARM3072PAB(PBF) 3/4 HP

ITEM NO.	PART NUMBER	DESCRIPTION
1	ARM1049	MOTOR
2	ARM1008	COUPLER
3	ARM1005	SEAL BEARING ASSEMBLY
4	ARM1010	VOLUTE GASKET
5	ARM1002	BEARING MODULE
6	ARM1001	SEAL KIT
7	ARM1051	IMPELLER
8	TFL2079	FLANGE PAB & PBF - 2.5" (REQ. 2)
9	ARM1060	BOLT & GASKET KIT
10	ARM1013	FLANGE GASKET

**AW150-199** PUM3010 1/6 HP

ITEM NO.	PART NUMBER	DESCRIPTION
1A	PUM10003	PUMP LESS VOLUTE
4A	ARM1063	VOLUTE GASKET
8A	ARM1078	FLANGE - 1.25" (REQ. 2)
9A	ARM1074	BOLT & GASKET KIT
10A	ARM1015	FLANGE GASKET

**AW285** PUM3011 2/5 HP

ITEM NO.	PART NUMBER	DESCRIPTION
1A	PUM10004	PUMP LESS VOLUTE
4A	ARM1063	VOLUTE GASKET
8A	TFL2096	FLANGE - 2" (REQ. 2)
9A	ARM1074	BOLT & GASKET KIT
10A	ARM1015	FLANGE GASKET
-	TFL2117	PUMP FLANGE AND HARDWARE KIT USED PRIOR TO C08

**AW399** PUM3012 2/5 HP

ITEM NO.	PART NUMBER	DESCRIPTION
1A	PUM10005	PUMP LESS VOLUTE
4A	ARM1063	VOLUTE GASKET
8A	TFL2096	FLANGE - 2" (REQ. 2)
9A	ARM1057	BOLT & GASKET KIT
10A	ARM1081	FLANGE GASKET
-	TFL2118	PUMP FLANGE AND HARDWARE KIT USED PRIOR TO C08

**AW500-600** PUM30003 2/5 HP

ITEM NO.	PART NUMBER	DESCRIPTION
1A	PUM10006	PUMP LESS VOLUTE
4A	ARM1063	VOLUTE GASKET
8A	TFL2096	FLANGE - 2" (REQ. 2)
9A	ARM1057	BOLT & GASKET KIT
10A	ARM1081	FLANGE GASKET