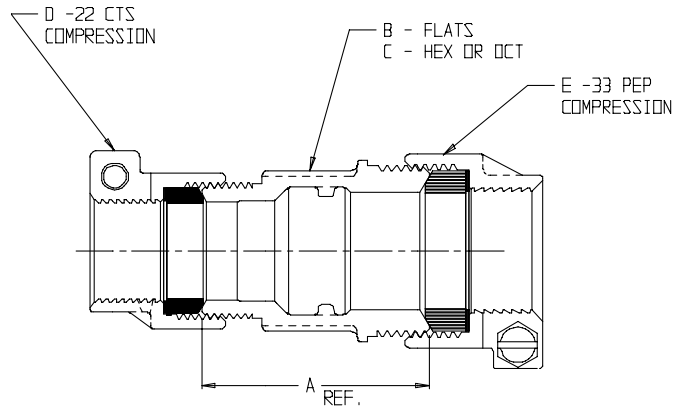


SUBMITTAL DATA SHEET

NL Service Fitting – 74758-22-33

-22 CTS Compression x -33 PEP Compression



MODEL NO.	SIZE	A	B	C	D	E
74758-22-33	3/4	2.11	1.38	OCT	3/4	3/4
74758-22-33	3/4 X 1	2.26	1.69	HEX	3/4	1
74758-22-33	1	2.61	1.85	OCT	1	1
74758-22-33	1 X 3/4	2.40	1.38	OCT	1	3/4
74758-22-33	1 X 1 1/4	2.60	2.10	OCT	1	1 1/4
74758-22-33	1 X 2	2.96	3.05	OCT	1	2
74758-22-33	1 1/2	2.62	2.44	OCT	1 1/2	1 1/2
74758-22-33	1 1/2 X 1 1/4	2.80	2.28	OCT	1 1/2	1 1/4
74758-22-33	2	2.95	3.13	OCT	2	2

SUBMITTAL INFORMATION

- Manufactured in compliance with ANSI/AWWA C800 (latest revision)
- Brass components in contact with potable water conform to ASTM B584, UNS C89833 (latest revision) and identified with “NL”
- Certified to NSF/ANSI 61 and NSF/ANSI 372
- Brass components not in contact with potable water conform to ASTM B62 and ASTM B584, UNS C83600 -85-5-5-5 (latest revision)
- Large wrench flats provided for proper installation
- Made in the United States of America



A.Y. McDonald Mfg. Co.
P.O. Box 508
Dubuque, IA 52004-508

Toll Free: 1-800-292-2737
Fax: 1-800-832-9296
Hours: 7:00 a.m. – 5:00 p.m., CST

sales@aymcdonald.com
www.aymcdonald.com

A.Y. McDonald considers the information on this assembly drawing correct when published. Item and option availability, including specifications, are subject to change without notice.

Submitted by: