



Lead Free* 95LF SERIES Stop and Waste Ball Valve

Job Name:	Contractor:
Job Location:	P.O. Number:
Engineer:	Representative:
Tag:	Wholesale Distributor:

DESCRIPTION

The Apollo® 95LF series is a full port stop and waste ball valve ideal for plumbing or hydronic systems where draining is required. Features a heavy pattern dezincification resistant **Lead Free*** bronze body.

FEATURES

- **Lead Free*** Brass & Bronze Materials
- Drain Port with Finger Tight Shut-off
- ½" through 1" Sizes, NPT & Solder
- Easily Identifiable Blue "Lead Free" Hang Tag
- Adjustable Stem Packing Nut
- 100% Made in the USA.



PERFORMANCE RATING

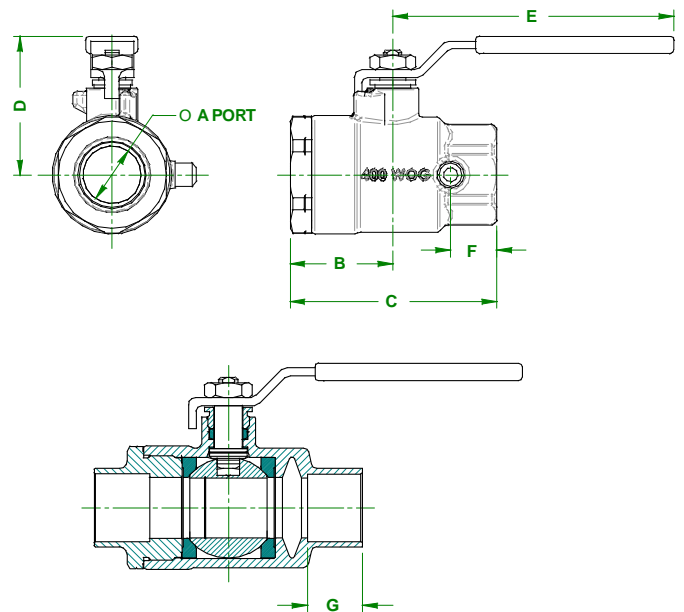
- Maximum Rated Pressure: 400 psi CWP
- Maximum Working Temperature: 120°F
- Suitable for water and non-hazardous fluids

MATERIALS SPECIFICATION

Part Name	Material
Lever and Grip	Steel, Zinc Plated w/ Vinyl
Stem Packing	RPTFE
Stem Bearing	RPTFE
Ball	C27450, Lead Free* Brass, Chrome.Plated
Seat (2)	RPTFE
Retainer	C27450, Lead Free*
Gland Nut	B16 Brass
Stem	C27450, Lead Free*
Lever Nut	Steel, Zinc Plated
Body	C89836, Lead Free*, Bronze

DIMENSIONS

Part #	Size	A	B	C	D	E	F	G	Wt. (lbs.)
NPT									
95LF10301	1/2"	0.50	1.54	3.08	1.50	3.87	0.53	-	0.63
95LF10401	3/4"	0.75	1.78	3.55	2.01	4.87	0.74	-	1.39
95LF10501	1"	1.00	1.93	3.86	2.20	4.87	0.81	-	1.90
SOLDER									
95LF20301	1/2"	0.50	1.43	2.87	1.75	3.87	0.76	0.50	0.70
95LF20401	3/4"	0.75	2.12	4.12	2.15	4.87	1.04	0.75	1.53
95LF20501	1"	1.00	2.21	4.43	2.43	4.87	1.21	0.91	1.90



APPROVALS

- MSS SP-110; Ball Valves Threaded, Socket-Welding, Solder Joint, Grooved and Flared Ends
- ANSI/NSF 61-8 2008, Annex F & G, 0.25% Lead max

OPTIONS

- (-04) 2-1/4" Stem Extension
- (-07) Steel Tee Handle
- (-11) Therma-Seal™ Insulating Tee Handle
- (-27) SS Latch-Lock Lever & Nut
- (-94) 2-1/4" Extension Kit with Balancing Stops

Consult factory for availability of LF model options

***LEAD FREE:** The wetted surfaces of this product shall contain no more than 0.25% lead by weighted average. Complies with CA AB 1953 and VT S.152. ANSI 3rd party certified and listed

Conbraco Industries, Inc. 701 Matthews Mint Hill Rd. Matthews NC 28106 USA; www.apollovalves.com ; 704-841-6000

This specification is provided for reference only. Conbraco reserves the right to change any portion of this specification without notice and without incurring obligation to make such changes to Conbraco products previously or subsequently sold.