



COMMERCIAL



T17TH Series - MultiChoice® Universal
Thermostatic Shower System

T17TH155-25

Description

Introducing the TempAssure® 17T Thermostatic Cartridge, featuring a thermostatic wax element that maintains the outlet temperature with remarkable precision, ensuring deviations of only +/- 3.6° F (15.8° C). The cartridge features a polished chrome-plated finish, and its temperature markings are non-removable red/blue indicators for clear guidance. With a minimum flow rating of 1.2 gpm @ 45 psi (4.5 L/min @ 310 kPa), this cartridge ensures efficient water flow. Handle #5 is an ADA compliant Metal Lever Volume Control Handle with a Field Adjustable Temperature Dial, allowing adjustments to limit rotation into the hot water zone for added safety. For added convenience, an optional 69" (175.3 cm) Long Chrome Plated Stainless Steel Hose that stretches to 92" (233.7 cm) is provided. Shower #5 features a Hand Shower with Push Button Pause, offering versatile functionality, with a maximum flow rate of 2.5 gpm @ 80 psi (9.5 L/min @ 552 kPa) and a minimum flow rate of 2.4 gpm @ 45 psi (9.1 L/min @ 310 kPa). For increased ease of use, an optional 36" (914 mm) stainless steel grab bar with adjustable slide is provided, offering an alternative to the standard 24" (610 mm) stainless steel grab bar with adjustable slide.

Specifications

- Cartridge: TempAssure® 17T Thermostatic
- Thermostatic wax element: Maintains the outlet temperature to +/- 3.6° F (15.8° C)
- Finish: Polished Chrome Plated
- Temperature markings: Non-removeable red/blue markings
- Cartridge Minimum Flow Rating: 1.2 gpm @ 45 psi (4.5 L/min @ 310 kPa)
- Optional Grab Bar: 36" (914 mm) Stainless steel bar with adjustable slide
- Handle #5: ADA compliant Metal Lever Volume Control Handle, Field Adjustable Temperature Dial to limit rotation into the hot water zone
- Optional Hose: Chrome-plated stainless steel, 69" (175.3 cm) length (relaxed), extends to 92" (233.7 cm)
- Shower #5: Hand Shower with Push Button Pause
- Shower #5 - Flow Rate Max. - 2.5 gpm @ 80 psi (9.5 L/min @ 552 kPa)
- Shower #5 - Flow Rate Min. - 2.4 gpm @ 45 psi (9.1 L/min @ 310 kPa)

Operation

- Plumbing Codes require that showerheads and handshowers provide a small but continuous flow of water (trickle) when in "PAUSE" mode. Because of this continuous flow, in certain circumstances pressure variations in the water line and/or changes in the position of the shower temperature control handle while in "PAUSE" mode could result in dramatic changes to the temperature of the water when the shower head or hand shower is returned to the "ON" position
- ALWAYS point the shower head away from yourself when returning to the "ON" position and feel the water with your hand before resuming your shower to ensure the water flow is not too hot or too cold
- DO NOT allow children or others who might not understand this warning to use the "PAUSE" function



Complies With

- ASME A112.18.1 / CSA B125.1
- Handshower is compliant to ICC / ANSI A117.1
- Pressure Balance and Diverter lever handles are compliant to ICC / ANSI A117.1
- Thermostatic Valve complies with ASSE 1016
- Hand Shower back flow protection provided by two integral certified check valves in series, which operate independently, ASME A112.18.3



Lever Handle
Only
Poignée à levier
seulement

(Contact Delta Representative for State and/or Local Approvals)

Required Accessories

- Rough-in - R10000-UNWS - ordered separately

WaterSense® is a registered trademark of the U.S. Environmental Protection Agency.

Max. flow rates are at 80 psi (552 kPa), Min. flow rates @ 45 psi (310 kPa)

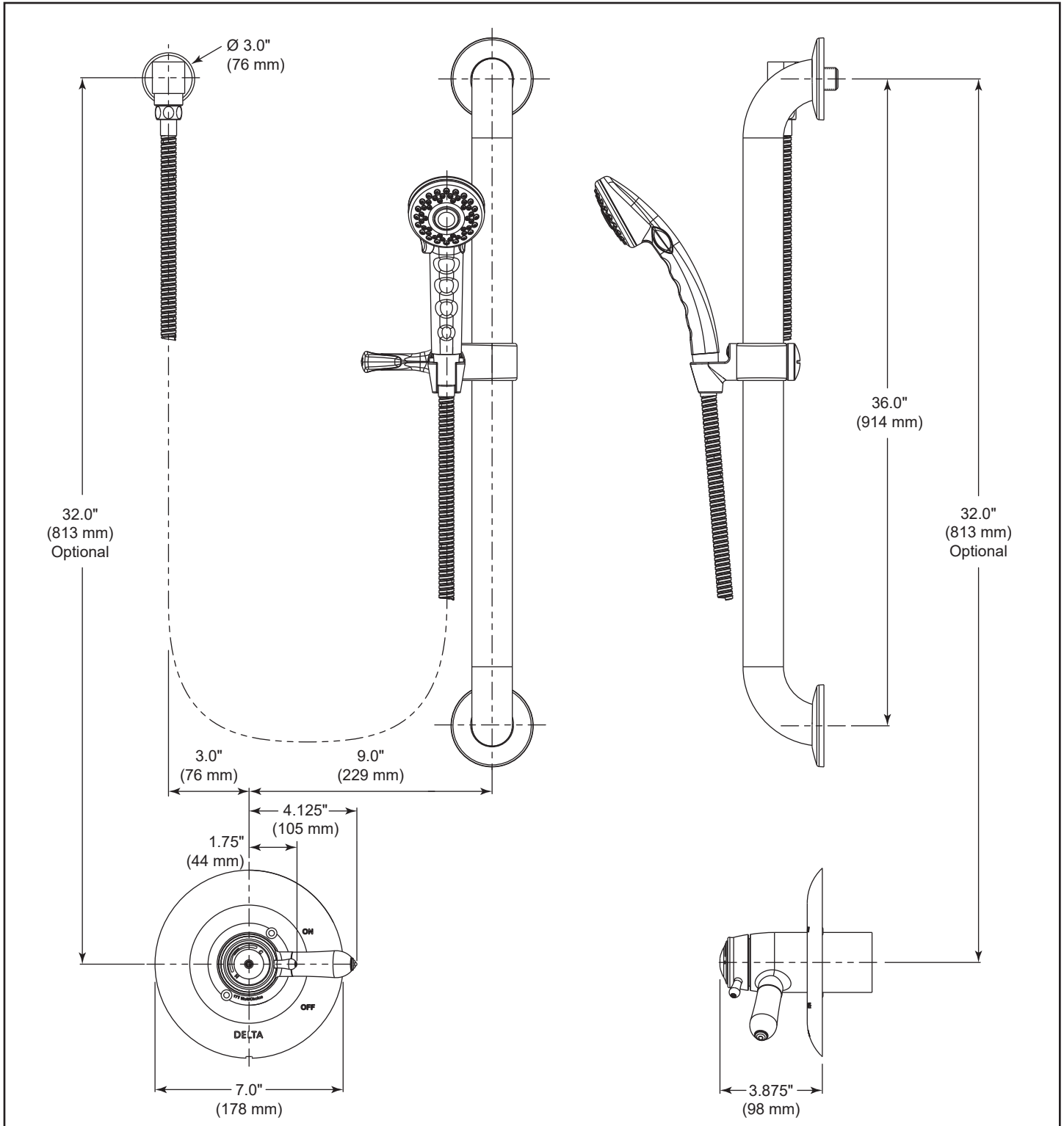
Delta Faucet Company reserves the right (1) to make changes in specifications and materials, and (2) to change or discontinue models, both without notice or obligation. Check with local codes for requirements in your area.

Masco Canada Limited
350 South Edgeware Rd, St Thomas, Ontario, Canada N5P 4L1
1-800-387-8277

T17TH155-25

This specification sheet was produced on December 19, 2023.

T17TH155-25



- NOTICE**
- Dimensions are for reference **ONLY**.
 - Measurements may vary $\pm 0.25"$ (6 mm).

WaterSense® is a registered trademark of the U.S. Environmental Protection Agency.

Max. flow rates are at 80 psi (552 kPa), Min. flow rates @ 45 psi (310 kPa)

Delta Faucet Company reserves the right (1) to make changes in specifications and materials, and (2) to change or discontinue models, both without notice or obligation. Check with local codes for requirements in your area.

Masco Canada Limited
350 South Edgeware Rd, St Thomas, Ontario, Canada N5P 4L1
1-800-387-8277

T17TH155-25

This specification sheet was produced on December 19, 2023.