

# FIRE EXTINGUISHER

CAT. **PR05**



**5 LB DRY POWDER**  
Monoammonium Phosphate  
extinguishing agent.

**RECHARGEABLE**  
Can be recharged after use.

**METAL HEAD**  
Commercial grade metal valve and head.

**EASY TO READ  
PRESSURE GAUGE**  
Provides fire extinguisher status at a glance.  
Needle in green means product is ready to  
use, in red, it needs to be recharged or  
replaced.

**BRACKET INCLUDED**  
Metal wall bracket for easy mounting.  
Also includes plastic belly strap to keep  
hose secure.

**MARINE USE  
AVAILABLE**  
Marine use available with optional  
FEBRA5-6 (P87-0356) bracket.



U.S.C.G. Marine  
Approved

Listed to  
UL 299 &  
UL 711  
Standards

# First Alert®

## Rechargeable Heavy Duty UL Rated: 3-A: 40-B:C

### Description:

First Alert Model FE3A40GR (Cat. No. PR05) is a 5 lb. dry powder fire extinguisher containing monoammonium phosphate fire extinguishing agents and complies with the Standard for Rating and Fire Testing of Fire Extinguishers, ANSI/UL711, CAN/ULC-S508. It also meets performance, listing and labeling standards for dry chemical fire extinguishers as outlined in ANSI/UL299 and CAN/ULC-S504. It has a UL Rating: 3-A: 40-B:C. Dry chemical and dry powder fire extinguishers are intended to be utilized in accordance with the Standard for Portable Fire Extinguishers, ANSI/NFPA 10 and with the National Fire Code of Canada.

First Alert Cat. No. PR05 is a 5 lb. A-B-C fire extinguisher designed for heavy duty household or commercial use to fight wood, paper, plastic, flammable liquids and electrical fires. The commercial grade metal head is rechargeable and features an easy to read pressure gauge. It comes with a metal wall mount mounting bracket for easy mounting. Also includes plastic belly hose strap to keep hose secure. Can be U.S. Coast Guard approved for marine use when used with optional FEBRA5-6 (P87-0356) bracket.



### INSTRUCTIONS

1. PULL PIN.  
HOLD UNIT UPRIGHT.
2. STAND BACK 10 FEET.  
AIM AT BASE OF FIRE.
3. DEPRESS AND SQUEEZE LEVER.  
SWEEP SIDE TO SIDE.

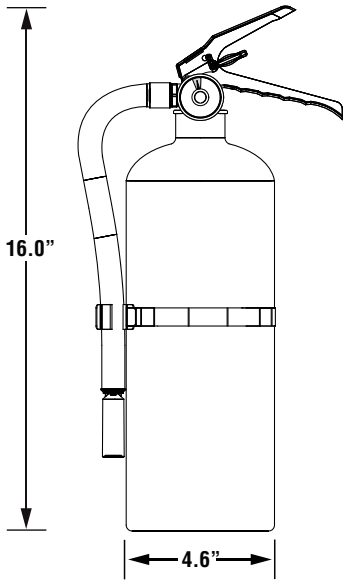


**First Alert**

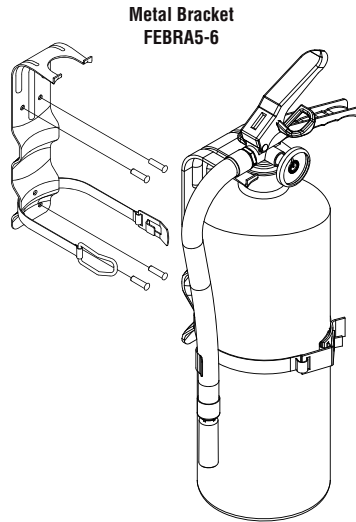
# CAT. PRO5



## OVERALL DIMENSIONS



## BRACKET INSTALLATION OPTIONS



## TECHNICAL SPECS

Dimensions:	4.6" dia x 16.0"H
Weight:	9.6 lbs.
Temperature Range:	-40°F (-40°C) to 120°F (49°C)
Pressurized to:	195 psi (1,344 kPa)
Head/Can Type:	Metal/Steel
Rechargeable:	Yes, per First Alert M08-0145 Service Manual
Rating/MSDS:	3-A: 40-B:C / F-9751 Foray® monoammonium phosphate
Listing:	Listed to UL711, ULC-S508, UL299 and ULC-S504 Standards

## SHIPPING SPECS:

Individual Carton Dimensions	6.00 "L x 5.88"W x 17.00"H
Weight	10.2 lbs.
Cube	0.35 ft3
UPC	0 29054 00060 6

Master Carton Dimensions	12.44"L x 6.38"W x 17.44"H
Master Pack	2
Weight	21.3 lbs.
Cube	0.80 ft3
I2 of 5	600 29054 00359 3

Pallet Information	
Cases per Layer	21
Number of Layers	2
Cases per Pallet	42
Units per Pallet	84
Cube*	38.4 ft3 / 44.3 ft3
Weight	959 lbs.

\*Note: First measure is actual load cube including pallet height. Second measure includes unused pallet space based on a standard GMA (Notched) 48" x 40" x 5" pallet.

## ARCHITECTURAL AND ENGINEERING SPEC

The fire extinguisher shall be a First Alert Model FE3A40GR and shall provide at a minimum the following features and functions:

1. Dry chemical fire extinguisher containing monoammonium phosphate fire extinguishing agent.
2. Rated at 3-A: 40-B:C.
3. A commercial grade metal head that is rechargeable per First Alert M08-0145 Service Manual and a red steel can.
4. An easy to read pressure gauge with a needle that visually shows fire extinguisher pressure status via a green section signifying pressure is good and a red section signifying unit needs to be recharged or replaced.
5. A metal wall bracket and plastic belly strap to keep hose secure .
6. U.S. Coast Guard approved for marine use with approved bracket. Marine Type, Type-B:C-Size I. Approval 162.028/EX3622. Valid only with bracket assembly number P87-0356.
7. The unit shall be capable of operating between -40°F (-40°C) and 120°F (49°C).
8. Pressurized to 195 psi (1,344 kPa). Meets DOT requirements for cylinders. Tested to 585 psi (4,033 kPa).
9. The unit shall at a minimum be listed to and meet the requirements of UL711, ULC-S508, UL299 and ULC-S504.

## FIRE EXTINGUISHER CLASSIFICATIONS

It's important to understand how fire extinguishers are classified in order to choose the correct model. BRK Brands, Inc. offers a wide range of residential, marine, commercial, and automotive fire extinguishers to meet the needs of your customers.

### This Fire Extinguisher

**A TRASH-WOOD-PAPER**

Fire extinguishers with a Class A rating are effective against fires involving paper, wood, textiles, and plastics. The primary chemical used to fight these fires is monoammonium phosphate, because of its ability to smother fires in these types of materials.

**B LIQUIDS**

Fire extinguishers with a Class B rating are effective against flammable liquid fires. These can be fires where cooking liquids, oil, gasoline, kerosene, or paint have become ignited. Two commonly used chemicals are effective in fighting these types of fires. Monoammonium phosphate effectively smothers the fire, while sodium bicarbonate induces a chemical reaction which extinguishes the fire.

**C ELECTRICAL EQUIPMENT**

Fire extinguishers with a Class C rating are suitable for fires in "live" electrical equipment. Both monoammonium phosphate and sodium bicarbonate are commonly used to fight this type of fire because of their nonconductive properties.

**BRK**<sup>®</sup>  
THE PROFESSIONAL STANDARD  
brkelectronics.com

©2009 BRK Brands, Inc. a Jarden Corporation  
Company (NYSE: JAH)  
3901 Liberty Street Road  
Aurora, IL 60504-8122  
All rights reserved.

First Alert is a registered trademark of the First Alert Trust  
BRK is a registered trademark of BRK Brands, Inc.  
Foray is a registered trademark of Anslu, Inc.  
CM3022