

B7 STUD BOLT WITH GRADE 2H HEAVY HEX NUTS ASSEMBLED

Features

- Sold in Individual Sets or Box Quantities
- Studs:
 - Grade B7
 - Full Threaded Rod Stud Bolts
 - Chamfered Flat Faced Ends
 - Manufactured from Chromium-Molybdenum Ferritic Alloy Steel
 - Tensile Strength: 125 KSI Min.
 - Hardness 35 HRC Max.
- Nuts:
 - Grade 2H
 - Heavy Hex
 - Single-Chamfered with Bottom Washer Face
 - Manufactured from Carbon Steel
 - Rockwell Hardness: C24 to C38
- Threads:
 - 1" Diameter & Smaller - Unified Inch Coarse Series (UNC), Class 2A
 - 1-1/8" Diameter & Larger - Unified Inch 8 Thread Series (UN8), Class 2A
- Plain Finish Coated with Light Protective Oil
- Right Hand Threads
- Heat Treated
- Manufacturer Identification and Grade Marks on All Stocked Studs and Nuts
- Studs and Nuts are Heat Code Traceable
- Material Test Reports (MTRs) Available on Demand (for box quantities only)*
- Stud and Nut Sets are Lot Number Traceable (for box quantities only)*



Markings

Studs and nuts are marked per ASTM requirements

- Manufacturer Mark: HY (hex nut marks can vary)
- Stud Grade Mark: B7
- Hex Nut Grade Mark: 2H



Standards

- Studs:
 - Material & Mechanical Properties: ASTM A193 Grade B7
 - Threads: ASME B1.1, UNC or UN8, Class 2A
- Nuts:
 - Material & Mechanical Properties: ASTM A194 Grade 2H
 - Dimensions: ASME B18.2.2

* Heat codes and lot numbers are listed on box labels. Open box contents throughout the distribution system can not be guaranteed, therefore MTRs are only available on full box quantities and must be requested at time of order.

Figure Number Matrix

FNW B7 D075 L0550		
DIAMETER	LENGTH	
1/2" = D050	2-1/2" = L0250	5" = L0500
5/8" = D062	2-3/4" = L0275	5-1/4" = L0525
3/4" = D075	3" = L0300	5-1/2" = L0550
7/8" = D087	3-1/4" = L0325	6" = L0600
1" = D100	3-1/2" = L0350	6-1/2" = L0650
1-1/8" = D112	3-3/4" = L0375	6-3/4" = L0675
1-1/4" = D125	4" = L0400	7" = L0700
1-1/2" = D150	4-1/4" = L0425	7-1/2" = L0750
	4-1/2" = L0450	8" = L0800
	4-3/4" = L0475	9" = L0900

Note: Not all combinations of diameter by length are stocked. See back page for a list of stocked model numbers. 1-1/8" & larger stud sets are UN8 threads.

B7 STUD BOLT WITH GRADE 2H HEAVY HEX NUTS ASSEMBLED

Part Numbers & Dimensions

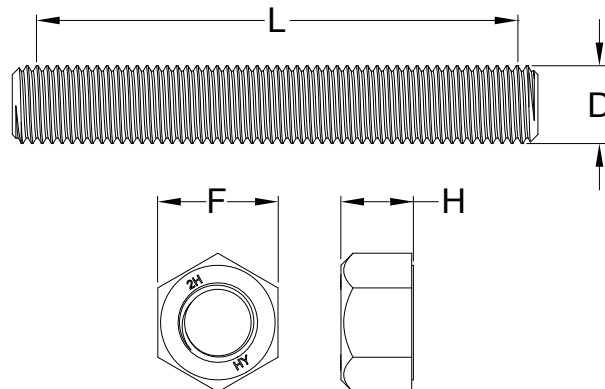
Part Numbers	D (inch) (UNC)*	L (inch)	F (inch)	H (inch)	Weight Per Set (lbs.)	Box Qty
FNWB7D050L0250	1/2 - 13	2-1/2	7/8	31/64	0.25	100
FNWB7D050L0275		2-3/4			0.27	100
FNWB7D050L0300		3			0.28	96
FNWB7D062L0300	5/8 - 11	3	1-1/16	39/64	0.47	54
FNWB7D062L0325		3-1/4			0.49	54
FNWB7D062L0350		3-1/2			0.50	50
FNWB7D062L0375		3-3/4			0.52	50
FNWB7D062L0400		4			0.54	50
FNWB7D062L0450		4-1/2			0.57	46
FNWB7D075L0350		3-1/2			0.78	32
FNWB7D075L0375	3-3/4	0.80	32			
FNWB7D075L0400	4	0.83	30			
FNWB7D075L0425	4-1/4	0.85	30			
FNWB7D075L0450	4-1/2	0.88	30			
FNWB7D075L0475	4-3/4	0.90	30			
FNWB7D075L0550	5-1/2	0.98	24			
FNWB7D075L0600	6	1.03	24			
FNWB7D087L0450	4-1/2	1.27	20			
FNWB7D087L0475	4-3/4	1.31	20			
FNWB7D087L0550	5-1/2	1.41	18			
FNWB7D087L0600	6	1.48	18			
FNWB7D087L0800	8	1.77	14			
FNWB7D087L0850	8-1/2	1.84	14			
FNWB7D100L0525	5-1/4	1.87	14			
FNWB7D100L0650	6-1/2	2.11	12			
FNWB7D112L0600	6	2.69	10			
FNWB7D112L0650	6-1/2	2.81	8			
FNWB7D112L0675	6-3/4	2.87	8			
FNWB7D112L0700	7	2.93	8			
FNWB7D125L0700	7	3.76	6			
FNWB7D125L0750	7-1/2	3.91	6			
FNWB7D125L0800	8	4.06	6			
FNWB7D150L0900	1-1/2 - 8	9	2-3/8	1-15/32	6.74	4

* Diameters 1-1/8" and larger are UN8

Recommended Lengths for Flanges

Flange Size	Stud Size Per Flange Rating*					
	150#			300#		
	Diameter (in-TPI)	Length (inch)	Qty/ Sets	Diameter (in-TPI)	Length (inch)	Qty/ Sets
1/2	1/2 - 13	2 1/2	4	1/2 - 13	2 1/2	4
3/4	1/2 - 13	2 1/2	4	5/8 - 11	3	4
1	1/2 - 13	2 1/2	4	5/8 - 11	3	4
1-1/4	1/2 - 13	2 3/4	4	5/8 - 11	3 1/4	4
1-1/2	1/2 - 13	3	4	3/4 - 10	3 1/2	4
2	5/8 - 11	3 1/4	4	5/8 - 11	3 1/2	8
2-1/2	5/8 - 11	3 1/2	4	3/4 - 10	4	8
3	5/8 - 11	3 1/2	4	3/4 - 10	4 1/4	8
4	5/8 - 11	3 3/4	8	3/4 - 10	4 1/2	8
5	3/4 - 10	3 3/4	8	3/4 - 10	4 3/4	8
6	3/4 - 10	4	8	3/4 - 10	4 3/4	12
8	3/4 - 10	4 1/4	8	7/8 - 9	5 1/2	12
10	7/8 - 9	4 1/2	12	1 - 8	6 1/2	16
12	7/8 - 9	4 3/4	12	1-1/8 - 8	6 3/4	16
14	1 - 8	5 1/4	12	1-1/8 - 8	7	20
16	1 - 8	5 1/4	16	1-1/4 - 8	7 1/2	20
18	1-1/8 - 8	6	16	1-1/4 - 8	8	24
20	1-1/8 - 8	6 1/2	20	1-1/4 - 8	8	24
24	1-1/4 - 8	7	20	1-1/2 - 8	9	24

* Per ASME B16.5, assumes 0.625" raised face and 0.12" gasket



Notes:

1. Diameters (D) up to and including 1" are UNC, Class 2A, per ASME B1.1.
2. Diameters (D) 1-1/8" and larger are UN8, Class 2A, per ASME B1.1.
3. Lengths (L) are effective thread lengths, excluding end points. Overall stud bolt length will be longer.
4. Heavy hex nut dimensions are nominal per ASME B18.2.2.

DOC: FNWB712 Ver. 3/2012

© 2012 - FNW. All rights reserved.

The FNW logo is a trademark of Ferguson Enterprises, Inc., PL Sourcing, PO Box 2778, Newport News, VA 23609

The contents of this publication are presented for information purposes only, and while effort has been made to ensure their accuracy, they are not to be construed as warranties or guarantees, expressed or implied, regarding the products or services described herein or their use or applicability. All sales are governed by our terms and conditions, which are available on request. We reserve the right to modify or improve the designs or specifications of our products at any time without notice. Always verify that you have the most recent product specifications or other documentation prior to the installation of these products.