

For Industrial Applications

Job Name _____

Contractor _____

Job Location _____

Approval _____

Engineer _____

Contractor's P.O. No. _____

Approval _____

Representative _____

Models: 781*, 781-WE*

Cast Carbon & Alloy Steel Flanged & Butt Weld End Y Strainers

Sizes: ½" – 24" (15 – 600mm)

Typical Service

- Used extensively to strain foreign matter from pipelines and provide economical protection for costly pumps, meters, valves, and other similar mechanical equipment.
- Especially important where weld debris is likely present in the pipeline.
- Well suited for long service in high pressure and temperature applications.

Features

- Machined seats in both body and cap align and lock the screen in place to stop sediment bypass.
- Machined seats facilitate alignment and accurate reseating after servicing.

Construction

- Designed for Class 150 specifications.
- Heavy gauge reinforced screens are used.

IMPORTANT NOTE: Model 781-WE ends are machined to match Schedule 40 pipe. Other connections are available, consult factory.

Self-Cleaning

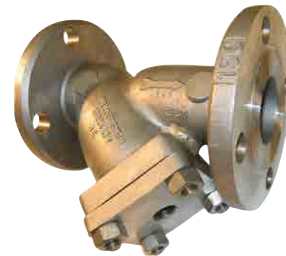
- Self-cleaning is accomplished by opening the plug or valve connected to the blowoff outlet.
- Blowoff Outlets
- Blowoff outlets are NPT tapped at location C. See next page for NPT sizes.
- Blind covers are available, consult factory.

Capacity

- Generously proportioned bodies.
- Open Area Ratio much greater than pipe size, ensuring low pressure drop.

Screens

SIZE	MODEL	STANDARD (WATER)		STEAM RECOMMENDATION	
		Material	Opening	Material	Opening
½" - 4"	All	304SS	.062 perf	304SS	.045 perf
5" and Up	All	304SS	.125 perf	304SS	.062 perf



Model 781



Model 781-WE

Pressure/Temperature - Non-Shock		
Model	Material	Rating
781, 781-WE	Carbon Steel	285 psi @ -20 to 100°F
		19.6 bar @ 38°C
		150psi @ 565°F
		10.2 bar @ 300°C
781, 781-WE	Chrome-Moly	290psi @ -20 to 100°F
		19.8 bar @ 38°C
		150psi @ 565°F
		10.2 bar @ 300°C

781

Class 150

781-WE

Class 150

* 781/781-WE supersedes model 761/741-WE. 761/761-WE available upon request.

Materials

781, 781-WE	
Body	Carbon Steel, ASTM A216 Grade WCB
Cover	Carbon Steel, ASTM A216 Grade WCB*
Gasket	Compressed Fiber

*Cover may also be manufactured from equivalent plate material.

Mueller Steam Specialty product specifications in U.S. customary units and metric are approximate and are provided for reference only. For precise measurements, please contact Mueller Steam Specialty Technical Service. Mueller Steam Specialty reserves the right to change or modify product design, construction, specifications, or materials without prior notice and without incurring any obligation to make such changes and modifications on Mueller Steam Specialty products previously or subsequently sold.

Mueller Steam Specialty™

A WATTS Brand

Also Available:

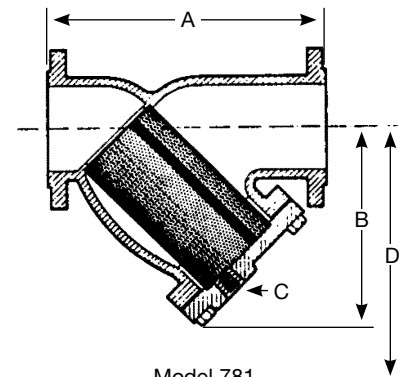
Body/Cap: Carbon-Moly ASTM A217 Gr. WC1
 Chrome-Moly ASTM A217 Gr. WC6
 Chrome-Moly ASTM A217 Gr. WC9

Pressure Drop

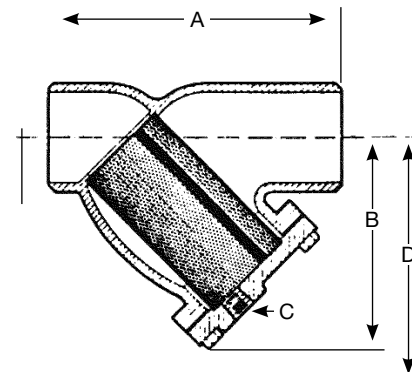
See Pressure Drop Charts in Technical Data Section of the Mueller Steam Specialty Engineering binder.

Dimensions and Weights

SIZE		DIMENSIONS								WEIGHT	
		A		B		C (NPT)		D Screen Removal			
<i>in.</i>	<i>mm</i>	<i>in.</i>	<i>mm</i>	<i>in.</i>	<i>mm</i>	<i>in.</i>	<i>mm</i>	<i>in.</i>	<i>mm</i>	<i>lbs.</i>	<i>kgs.</i>
1/2	15	5 7/8	149	3 1/2	89	3/8	10	5	130	5.5	2.5
3/4	20	7 3/8	187	3 3/4	95	1/2	15	5	130	10.25	4.6
1	25	7 7/8	187	3 3/4	95	1/2	15	5	130	10.25	4.6
1 1/4	32	7	178	4 3/4	121	1/2	15	7	178	9.75	4.4
1 1/2	40	7 1/8	181	4 3/4	121	1/2	15	7	178	12.5	5.6
2	50	7 7/8	200	5 1/4	133	1/2	15	7	178	18	8.1
2 1/2	65	9 3/4	248	6 1/2	165	1	25	9 3/4	248	28	12.7
3	80	10 1/16	256	7	178	1	25	10	254	34	15
4	100	12 1/8	308	8 1/4	210	1 1/2	40	12	305	55	25
5	125	15 5/8	397	11 1/4	286	2	50	20	508	90	40
6	150	18 1/2	470	13 1/2	343	2	50	20	508	153	69
8	200	21 3/8	543	15 1/2	394	2	50	22 3/4	578	220	100
10	250	26	660	18 1/2	470	2	50	28	711	320	145
12	300	29 7/8	759	22 1/4	565	2	50	30	762	550	250
14	350	36	914	25	635	2	50	36 1/2	927	975	442
16	400	41 9/16	1056	26 1/2	673	2	50	42	1067	1635	741
18	450	46	1168	34 7/8	886	2	50	50 7/8	1292	2376	1078
20	500	49 1/2	1257	39	991	2	50	55 3/8	1407	2675	1213
24	600	58 3/8	1483	44 1/8	1122	2	50	67 1/4	1708	4880	2213



SIZE		DIMENSIONS								WEIGHT	
		A		B		C (NPT)		D Screen Removal			
<i>in.</i>	<i>mm</i>	<i>in.</i>	<i>mm</i>	<i>in.</i>	<i>mm</i>	<i>in.</i>	<i>mm</i>	<i>in.</i>	<i>mm</i>	<i>lbs.</i>	<i>kgs.</i>
1/2	15	6 5/8	168	3 1/2	89	3/8	10	5	130	3	1.3
3/4	20	8 5/16	211	3 3/4	95	1/2	15	5	130	9	4
1	25	8 9/16	257	3 3/4	95	1/2	15	5	130	9	4
1 1/4	32	10 1/8	260	5 1/4	133	1/2	15	7	178	12	5.4
1 1/2	40	10 1/4	279	5 1/4	133	1/2	15	7	178	13	5.9
2	50	10 1/4	219	5 1/4	133	1/2	15	7	178	10	4.5
2 1/2	65	10 9/8	269	6 1/2	165	1	25	9 3/4	248	14	6.3
3	80	12	305	7	178	1	25	10	254	20	9
4	100	14 1/2	368	8 1/4	210	1 1/2	40	12	305	40	18
5	125	19 5/16	491	13 1/2	343	2	50	20	508	90	40
6	150	19 9/16	491	13 1/2	343	2	50	20	508	90	40
8	200	23 3/8	594	15 3/4	400	2	50	22 3/4	578	168	76
10	250	27 3/8	695	19	483	2	50	28	711	250	113
12	300	32	813	22 1/2	565	2	50	30	762	440	200
14	350	36	914	25	635	2	50	36 1/2	927	815	370
16	400	41 1/8	1056	26 1/2	673	2	50	42	1067	1433	650
18	450	46	1168	34 7/8	886	2	50	50 7/8	1292	2152	976
20	500	49 1/2	1257	39	991	2	50	55 3/8	1407	2393	1085
24	600	58 3/8	1483	44 1/8	1122	2	50	67 1/4	1708	4486	2034



Apply for certified drawing



A WATTS Brand

USA: Tel: (800) 334-6259 • Fax: (800) 421-6772 • MuellerSteam.com

Latin America: Tel: (52) 81-1001-8600 • Fax: (52) 81-8000-7091 • MuellerSteam.com