



Ensemble™

60" x 30 shower base
72171110



Features

- 4" threshold.
- Durable high-gloss finish with molded-in textured floor.
- Suitable for tile-down application.
- Compatible with Ensemble walls (series 7217)

Material

- Made from solid Vikrell® material for strength, durability, and lasting beauty.

Installation

- Left drain.

Recommended Products/Accessories

- K-23726 Drain treatment
- K-23733 Vikrell® cleaner



Codes/Standards



CSA B45.5/IAPMO Z124
ASTM E162
HUD, UM Bulletin 73

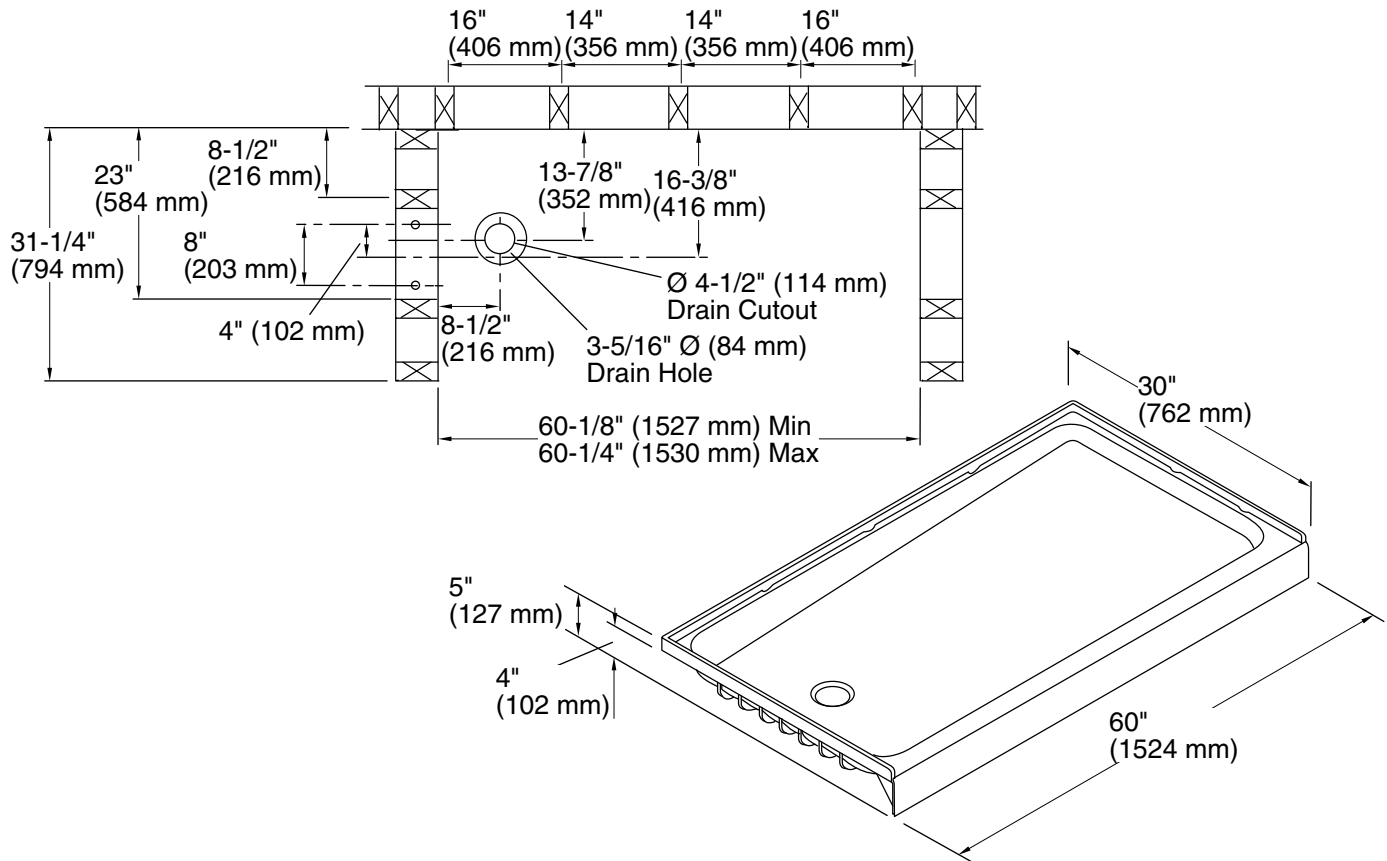
Warranty – Bathing Fixtures (and) Kitchen and Utility Sinks Made of Solid Vikrell® Material

See website for detailed warranty information.

Available Colors/Finishes

Color tiles intended for reference only.

Color	Code	Description
	0	White
	96	KOHLER Biscuit



Technical Information

All product dimensions are nominal.

Installation: Three-wall alcove

Drain location: Left

Weight: 38 lbs (17.2 kg)

Notes

Install this product according to the installation instructions.

Studs should be positioned roughly as shown.

Double studding is recommended for pivot shower door installations.