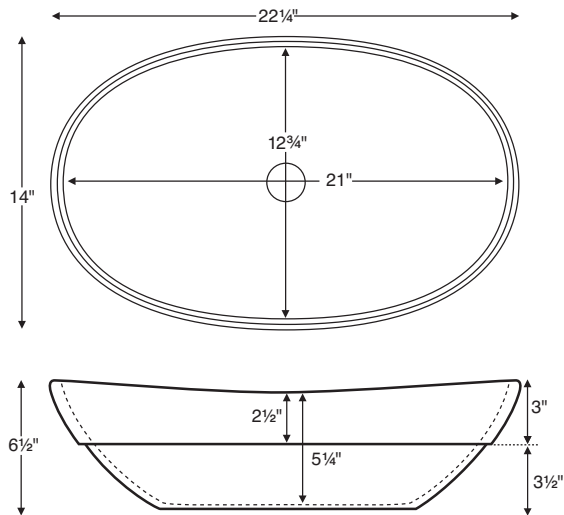




**Elise SR**  
Model # MTCS-714  
22.25" x 14" x 3"

**Installation:** semi-recessed  
**Lead Time - 10 Business Days**



**SINK AND OPTIONS PRICING**

**Part # MTCS-714 \$920**

**Standard Colors** - Choose from White or Biscuit in matte finish

**Gloss Finish Upcharge** - Part # SSGLOSSNK \$195

*Other colors available for projects only. Please call MTI.*

**Quick Ship/Priority** - Part # QUISINKSH \$175 *Call for availability.*

**Drain Kits** - see p. F-32 for available models.

**CONSTRUCTION AND STANDARD FEATURES**

- Elise SR is a semi-recessed model, which allows only the top 3" of the sink to rest on the vanity.
- Single-bowl design; 1.5" drain opening.
- Sink has no overflow. Requires a vessel-style drain kit without an overflow (in most areas). Check local codes.
- One-piece construction using Engineered Solid Stone (ESS) material, which is solid through and through.
- ESS is a mixture of ground natural materials and binding agents that are liquefied, poured and then hardened.
- This material is non-porous, stain-, mold- and mildew-resistant, making cleaning and maintenance easy.
- Approximately 65% of the material is organic, including minerals mined from the earth, making it "Green".
- Same material and color all the way through, with minor variations due to use of natural minerals.
- Five-Year Limited Residential Warranty.
- Shipping weight: 26 lbs.

*NOTES: SINK IS SEMI-RECESSED AND MUST BE MEASURED ON-SITE TO ENSURE ACCURATE DIMENSIONS OF HOLE CUT-OUT. In addition, a template is supplied with each Elise semi-recessed sink at no charge to facilitate installation. If template is needed prior to shipment of sink, customer is responsible for actual shipping charges of the template. Measurements are  $\pm 1/2"$  and are subject to change without notice. Data herein supersedes all previous prior to publication date indicated below.*