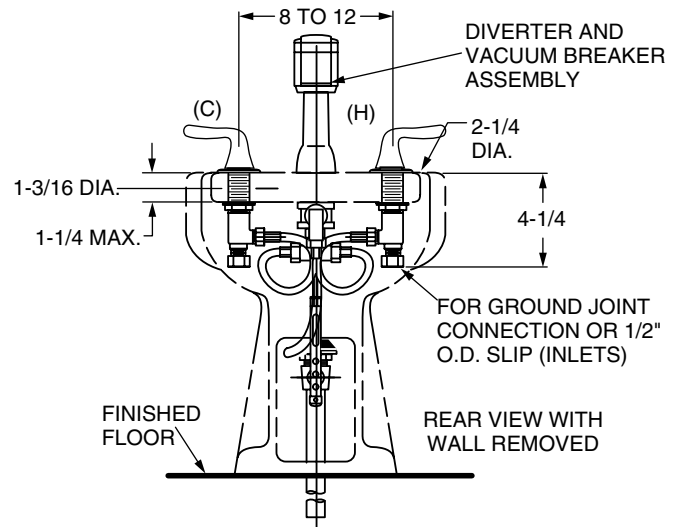
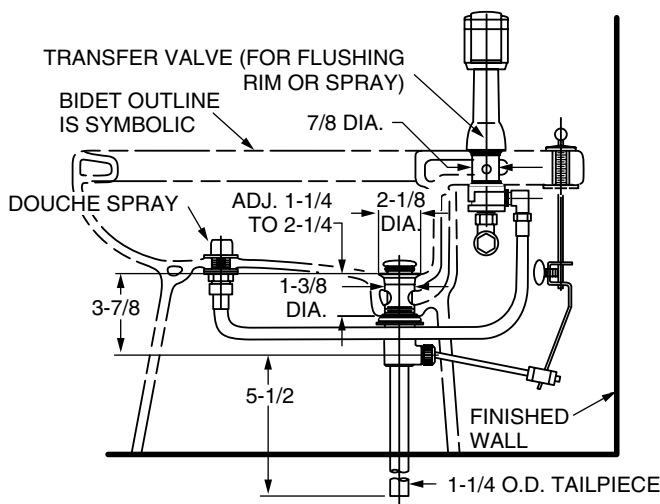


3475.501 Shown

**MODEL NUMBER:**

- ☐ **3475.501 Fixture-Mounted Bidet Fitting**  
Vacuum breaker. Pop-up drain. Lever handles.
- ☐ **3475.500 Fixture-Mounted Bidet Fitting**  
Less vacuum breaker. Pop-up drain. Lever handles.



**GENERAL DESCRIPTION:**

Cast brass valve bodies. 1/4 turn washerless ceramic disc valve cartridges - reversible for use with either lever or round handles. Diverter controls water flow between douche spray and flushing rim. Douche spray has built-in spray height adjustment.

**PRODUCT FEATURES:**

**Brass Construction:** Durable - Excellent in high use applications. Ideal for prolonged contact with water. Provides the finest surface for application of all colors and finishes.

**Ceramic Disc Valve Cartridges:** Assures a lifetime of drip-free performance.

**Choice of Finishes:** Available in Polished Chrome and Polished Brass (PVD) finishes.

**SUGGESTED SPECIFICATION:**


Two handle deck-mount bidet fitting with matching pop-up drain shall feature solid brass construction. Shall also feature 1/4 turn ceramic disc valve cartridges that are reversible for use with either cross or lever handles. Fitting shall be American Standard Model # 3475.50\_.

**CODES AND STANDARDS**

These products meet or exceed the following codes and standards:

- ANSI A117.1**
- ASME A112.18.1**
- CSA B 125**
- ASSE 1001 - 3475.501 only**

Product Number	Description	Finish Options*	
		Polished Chrome	PVD Satin Nickel
		002	295
3475.501	Fixture-mounted bidet fitting. Vacuum breaker. Pop-up drain. Lever handles.		
3475.500	Fixture-mounted bidet fitting. Less vacuum breaker. Pop-up drain. Lever handles.		

 Meets the American Disabilities Act Guidelines and **ANSI A117.1** Requirements for the physically challenged.