

**H2OPTION SIPHONIC DUAL FLUSH
RIGHT HEIGHT™ ELONGATED TOILET**

2886.216

- Vitreous china
- High efficiency, low consumption
 - Full Flush (6.0 Lpf/1.6 gpf)
 - Partial Flush (3.8 Lpf/1.0 gpf)
- Elongated siphon action bowl with direct-fed jet
- 16-1/2" Rim height
- Meets EPA WaterSenseSM criteria
- Qualifies in LEEDS Program
- 305mm (12") rough-in
- Fully glazed 2" Trapway
- Generous 9" x 8" water surface area
- Chrome plated top mounted push button actuator
- Sanitary bar on bowl
- 2 color matched bolt caps
- 100% factory flush tested
- 5 Year Limited Warranty on Total Toilet



2886.516 Same as above, except with Tank with AquaGuard Liner

Separate Component Parts:

- 3705.216** Bowl
- 4339.216** Tank
- 4339.516** Tank with AquaGuard Liner

Nominal Dimensions:

756 x 380 x 787mm
(29-3/4" x 15" x 31")

Fixture only, seat and supply by others

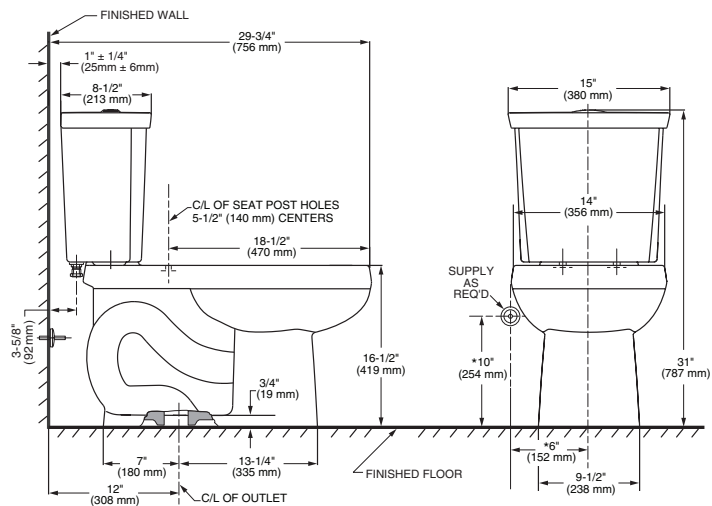
Compliance Certifications -

Meets or Exceeds the Following Specifications:

- ASME A112.19.2-2008/CSA B45.1-08
- Los Angeles Department of Water and Power Supplementary Purchase Specification for Non-Adjustability
- US EPA WaterSenseSM criteria for HET's

To Be Specified:

- Color: White Bone Linen
- Seat: American Standard #5324.019 "Rise and Shine" solid plastic closed front seat with cover.
- Seat: American Standard #5311.012 "Laurel" molded closed front seat with cover.
- Seat: American Standard #5321.110 EverClean™ Elongated Seat with Cover and Slow Close Snap-Off hinges
- Alternate Seat:
- Supply with stop:



NOTES:

THIS COMBINATION IS DESIGNED TO ROUGH-IN AT A MINIMUM DIMENSION OF 305MM (12") FROM FINISHED WALL TO C/L OF OUTLET. * DIMENSION SHOWN FOR LOCATION OF SUPPLY IS SUGGESTED. SUPPLY NOT INCLUDED WITH FIXTURE AND MUST BE ORDERED SEPARATELY.

IMPORTANT: Dimensions of fixtures are nominal and may vary within the range of tolerance established by ANSI Standard A112.19.2. These measurements are subject to change or cancellation. No responsibility is assumed for use of superseded or voided pages.

