

SPECIFICATION SUBMITTAL SHEET



Schedule 40 Waste & Overflow - Classic High-flow Half Kit w/Test Kit

Job Name: _____
 Job Location: _____
 Engineer: _____
 Approval: _____

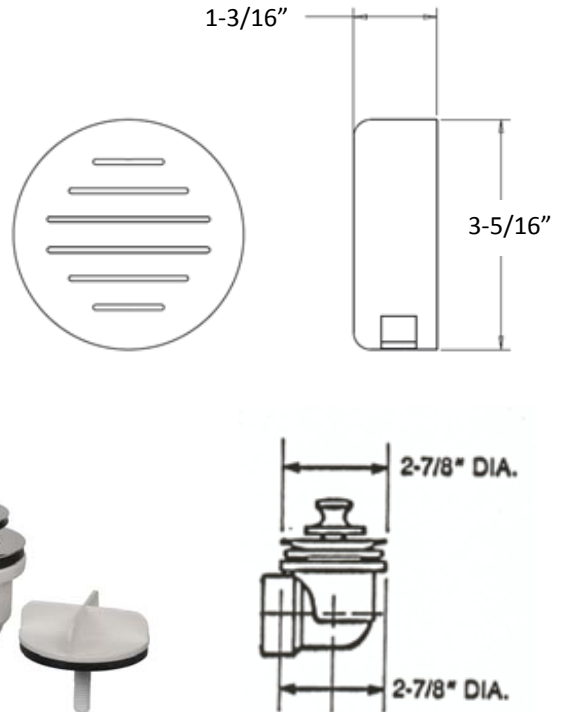
Contractor: _____
 Approval: _____
 Contractor's PO#: _____
 Representative: _____

Specification:

Series 2217

"Classic" High-flow Bath Waste & Overflow Half Kit (Less Pipe and Tee) with Test Kit with Brass Strainer 1-1/2 x 11-1/2" Pipe Size and Push eN Lift Closure

UPC Listed
 Manufactured to ASME Standard
 ASME A 112.18.2-2005 / CSA B 125.2-05



Qty	AB&A Part#	Item #	Material	Finish	Notes
	2217HF	62001	ABS	Chrome	
	2217ZHF	62003	ABS	Chrome	With Zinc Strainer
	2217PZHF	62002	ABS	Chrome	With Zinc Strainer and ABS Stopper
	2217MHF	62486	ABS	Chrome	With Metal Test Kit (not pictured)
	2221SNHF	62005	ABS	Satin Nickel	
	2221VBHF	62006	ABS	Venetian Bronze	
	2221ORBHF	62004	ABS	Oil Rubbed Bronze	
	2218HF	62007	PVC	Chrome	
	2218ZHF	62038	PVC	Chrome	With Zinc Strainer
	2218PZHF	62037	PVC	Chrome	With Zinc Strainer and ABS Stopper
	2218MHF	62487	PVC	Chrome	With Metal Test Kit (not pictured)
	2222SNHF	62009	PVC	Satin Nickel	
	2222VBHF	62092	PVC	Venetian Bronze	
	2222ORBHF	62008	PVC	Oil Rubbed Bronze	

