

WINGITS® Portable Tub Bench

Model:
WHPTB265150

Part Numbers:

WHPTB265150PW
26.5" Tub Bench
Phenolic White

WHPTB265150PT
26.5" Tub Bench
Phenolic Teak

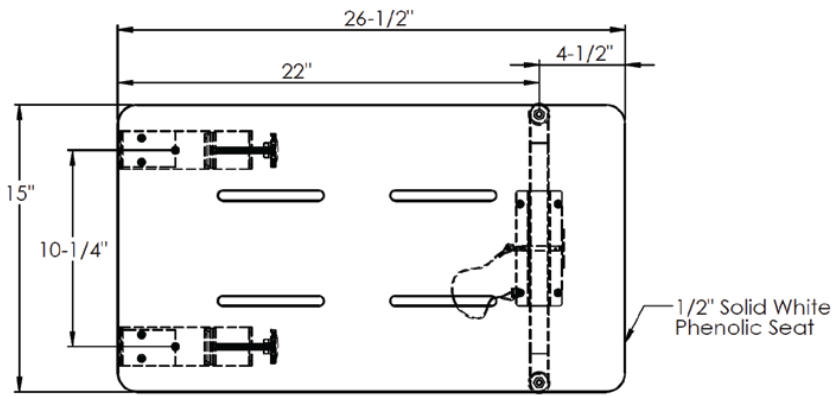


Features:

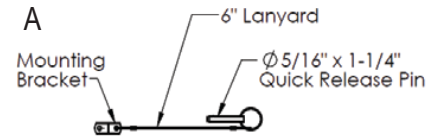
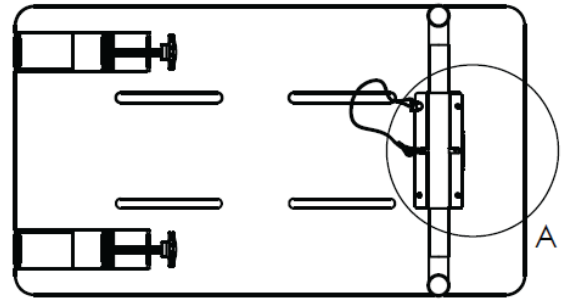
- Exceeds minimum 250 lbs. Load Requirement per the 2010 ADAAG and 2017 ANSI Standards
- 18/8 (304) Stainless Steel Frame Assembly /Phenolic material for the tops - extremely durable, non-porous, anti-microbial
- Adjustable Rubber Feet to Adjust to All Surfaces
- Adjustable Tub Clamp
- Proudly made in the USA
- Physical support - helps those who have limited mobility

MECHANICAL DATA
Height: 16.125" - 17.875" (410 - 454mm) Length: see part number
COMPOSITION
18/8 (304) Stainless Steel frame with Phenolic Top
INSTALLATION
Portable Tub Benches are designed to hold live loads.
RECOMMENDED INTEGRATION
Portable Tub Benches are designed with Adjustable Tube Clamps for rectangular tubs of various sizes. The height of the clamp assembly with the phenolic top is 3.5" (3" for the lift and 0.5" for the phenolic top). If the tub height is 13.5" - 15.5" AFF, this portable tub bench can be used and meets code of the 17" minimum - 19" maximum AFF.

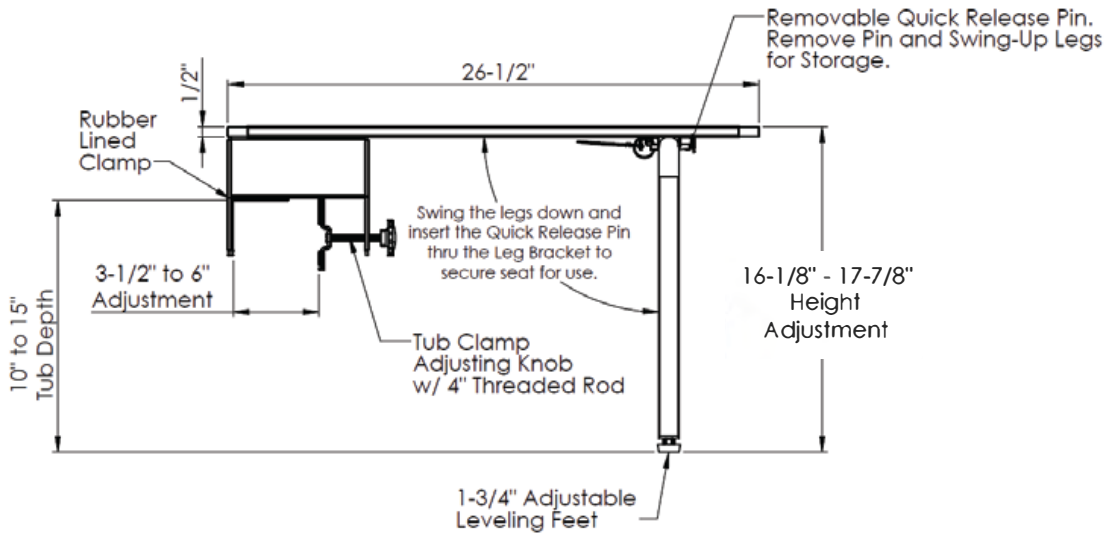
Top



Bottom



Side



Front

