

# WINGITS®

## MODERN Elegance™

### Toilet Paper Holder

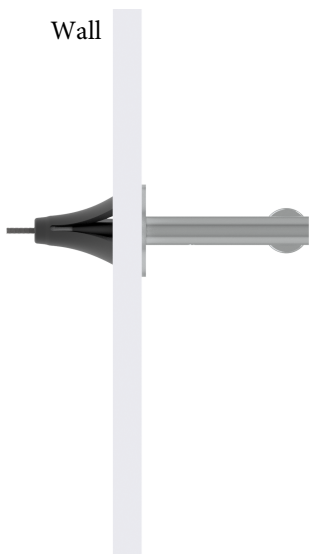
Model:

# WMETPH

Part Numbers:

**WMETPHPS**  
Polished Finish

**WMETPHSN**  
Satin Finish



**Features:**

- Modern design combined with **PATENTED BridgeBind™** Manufacturing creates the ultimate in bath accessories
- Unparalleled Strength
- Hand Polished Stainless Steel

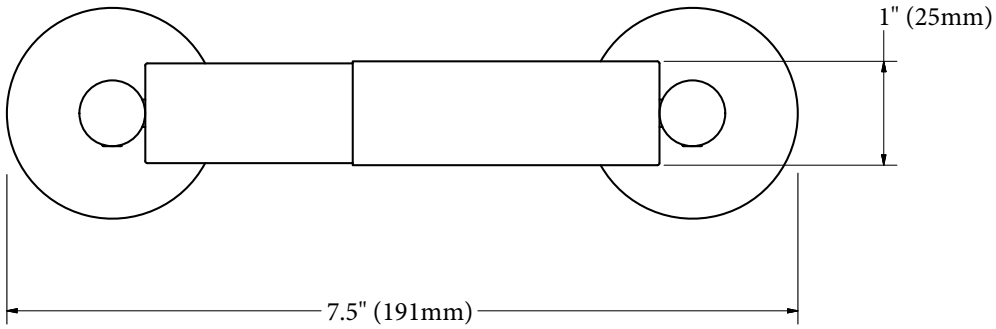
|  |
|--|
| <b>MECHANICAL DATA</b>   |
| Length: 7.5" (191mm)   |
| Diameter: 2" (51mm)  |
| Depth: 3.625" (92mm)   |
| <b>COMPOSITION</b>   |
| 18-8 (304) Stainless Steel   |
| <b>INSTALLATION</b>  |
| Includes Stainless Steel Screws to Install into <b>Adequate Structural Blocking</b> .<br>Includes 3M® VHB Waterproof Tape.<br>Can Be Installed with WINGITS® Fasteners when blocking is not available. |
| <b>RECOMMENDED INTEGRATION</b>   |
| <b>PROPER INSTALLATION REQUIRES</b> use of 3M® VHB Waterproof Tape to stop rotation and <b>MUST</b> be installed into <b>Adequate Structural Blocking</b> or with optional WINGITS® Fasteners.         |
| WINGITS® MODERN™ design is available in all Bath Accessories.  |

*PATENTED*  
**BridgeBind™ Technology**

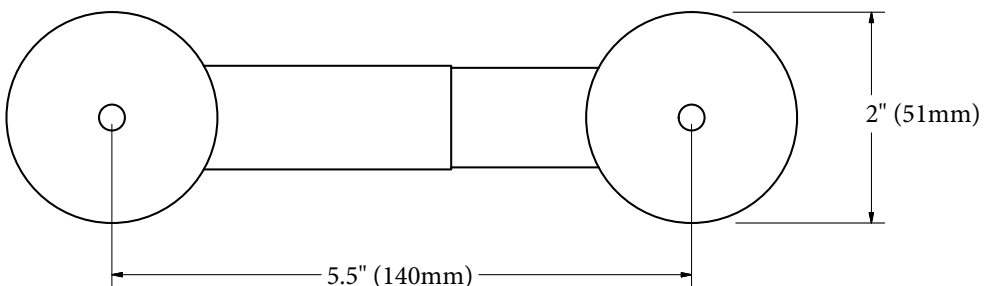


A steel dowel is expertly embedded in a stainless steel tube then arc welded to the tube's far side for the perfect structural synthesis

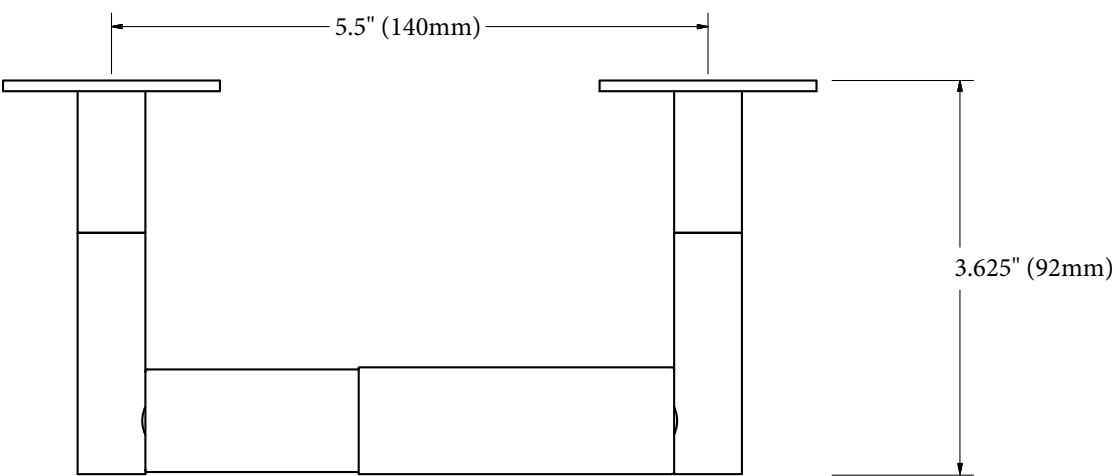
Front



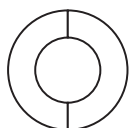



Back



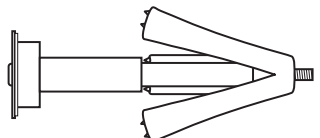
Top



Included Hardware

-  3M<sup>®</sup> Waterproof Tape (2)
-  2.5" S/S Screw (2)
-  Allen Wrench (1)
-  Set Screw (2)

Optional Hardware  
(Sold Separately)

-  WINGITS<sup>®</sup> MASTER Anchor (MAW35)  
(2)