

WINGITS®

Reversible Shower Seat Phenolic Top - White or Teak Finish

Model:
WSLX

Part Numbers:

WSLX260225PWREV **WSLX260225PTREV**
26" x 22.5" Shower Seat 26" x 22.5" Shower Seat
White Phenolic Finish Teak Phenolic Finish

WSLX280225PWREV **WSLX280225PTREV**
28" x 22.5" Shower Seat 28" x 22.5" Shower Seat
White Phenolic Finish Teak Phenolic Finish

WSLX320225PWREV **WSLX320225PTREV**
32" x 22.5" Shower Seat 32" x 22.5" Shower Seat
White Phenolic Finish Teak Phenolic Finish



WINGITS® Fasteners

Teak Phenolic



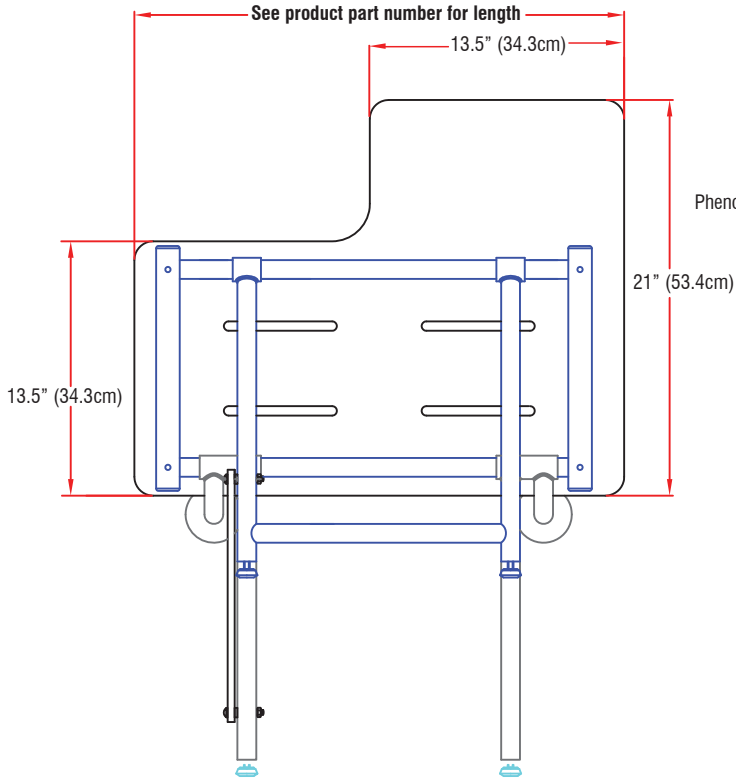
- Rated up to 800 lbs. when installed to adequate structural blocking or WITH WINGITS' GBW40 FASTENERS (in drywall & tile)
- Exceeds minimum load requirement per the 2010 ADAAG and 2017 ANSI Standards
- Weight transfers to the floor through the legs to evenly distribute the load
- Includes Lift-Assist Technology – ONLY seat to comply with ADA Operation Code 309.4 of less than 5 lbs. to operate
- 18-8 (304) Stainless Steel Frame Assembly /Phenolic material for the tops – extremely durable, non-porous, anti-microbial
- Adjustable Rubber Feet to adjust to all surfaces
- Available in White or Teak Phenolic and 2" padded Naugahyde
- Custom finish available on the frame assembly



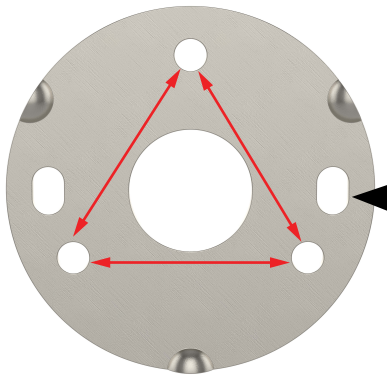
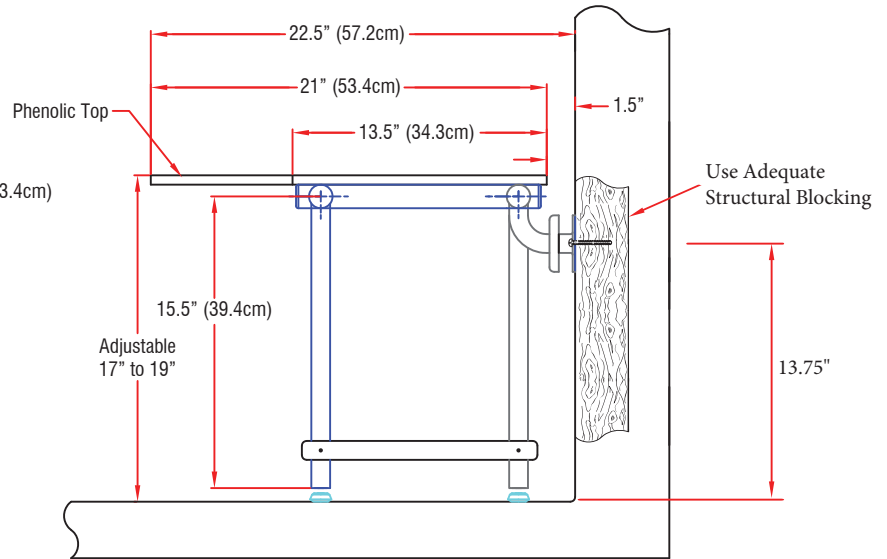
Use Adequate Structural Blocking

MECHANICAL DATA
Height: 17" - 18.5"
Depth: 22.5" (572mm)
Length: see part number
COMPOSITION
18-8 (304) Stainless Steel with Phenolic Top
INSTALLATION
WINGITS® Folding Shower Seats are designed to hold live loads <u>in walls only</u> and must be installed into either Adequate Structural Blocking or with WINGITS® Grab Bar Fasteners (GBW40)

Front



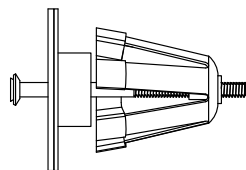
Side



Slots for Speed Installation into WingIts® Fastener (GBW40)

3 Circular holes for installation into Adequate Structural Blocking

Optional Hardware



WINGITS® Grab Bar Fastener (GBW40)
(2)