



model 5010.6427SS
Drinking Faucet

FEATURES & BENEFITS

BUBBLER VALVE

Polished stainless steel cartridge valve which allows for top access stream adjustment as well as cartridge and strainer access, and is designed with a shielded, anti-squirt orifice that provides a steady sanitary source of water.

OPTIONS

For more information, visit www.hawsc.com or call (888) 640-4297.



SPECIFICATIONS

Model 5010.6427SS deck or sink mounted bubbler valve shall include a stainless steel push button bubbler valve with a polished finish, integral stream flow regulation, brushed stainless steel deck flange, and 3/8" IPS inlet.

APPLICATIONS

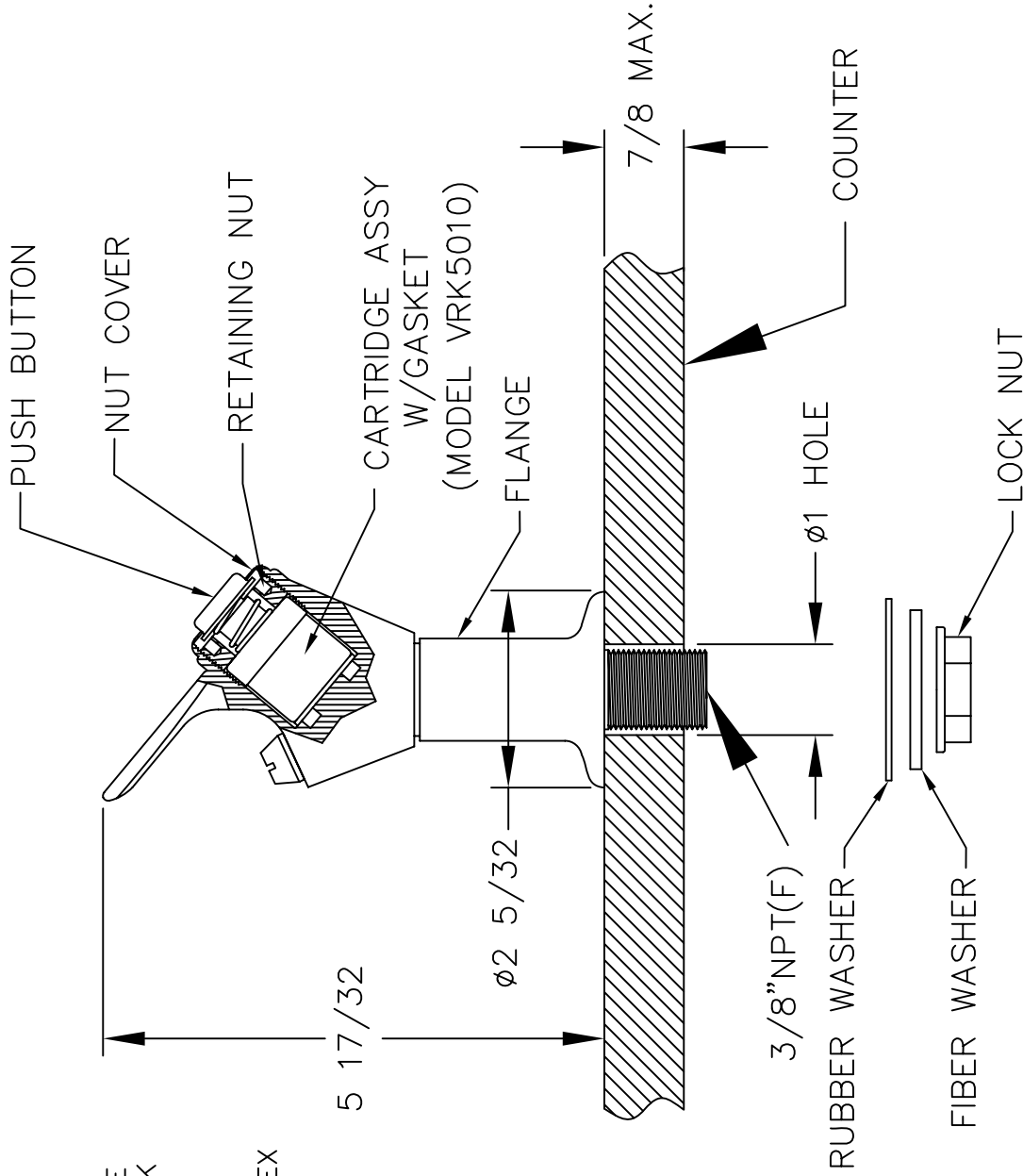
Perfect for either public or private indoor settings, the 5010.6427SS is a great fit in areas where a sink is present. Specifically, this type of vertically mounted drinking faucet may be placed in settings such as: school classrooms, laboratories, and other facilities where the need for a deck mounted sink/faucet is present. Haws manufactures drinking fountains and electric water coolers to be lead-free by all known definitions including NSF/ANSI Standard 61, Section 9, NSF/ANSI 372, California Proposition 65, and the Federal Safe Drinking Water Act.




NOTES:

TO ADJUST FLOW:

1. REMOVE HEX NUT COVER AND PUSH BUTTON COVER.
2. ADJUST WITH SCREWDRIVER: CLOCKWISE TO INCREASE FLOW & COUNTER-CLOCKWISE TO DECREASE FLOW.
3. IF DESIRED FLOW IS NOT OBTAINED, CLEAN SCREEN AT INLET.
4. REPLACE PUSH BUTTON COVER AND HEX NUT COVER.





Haws Corporation

1455 KLEPPE LANE
SPARKS, NEVADA 89431
(775) 359-4712 FAX (775) 359-7424
E-MAIL: HAWS@HAWS.CO.COM
WEBSITE: WWW.HAWS.CO.COM

REVISED:	REVISED:	REVISED:	REVISED:	REVISED:	REVISED:
4215	4215	4215	4215	4215	4215
DATE: 01/14/09	DATE: 01/14/09	DATE: 01/14/09	DATE: 01/14/09	DATE: 01/14/09	DATE: 01/14/09
DRAWING TYPE: INSTALLATION/BACK			SCALE: 1:1		
MODEL(S): 5010.6427SS			INFO FAX DOC #: 25010677		
PART NUMBER: 0002075000.D			REV: 0		
DRAWING NUMBER: 15853A00			SHEET 1 OF 1		