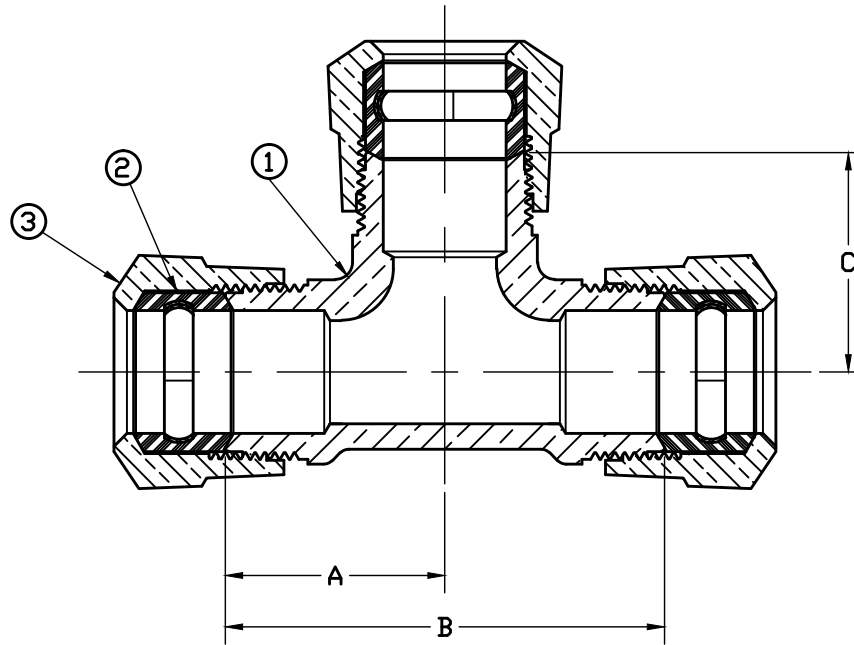


No.	DESCRIPTION	MATERIAL DESCRIPTION
1	BODY	CAST LOW LEAD BRASS ALLOY
2	CTS GASKET SUB	ASTM D2000(SBR)&410 STAINLESS STEEL
3	CONN NUT	CAST BRASS ASTM B62 ALLOY C83600

SIZE	A	B	C
3/4x3/4x3/4"	1.594	3.188	1.594
3/4x3/4x1"	1.852	3.704	2.000
1x1x1"	2.060	4.120	2.060
1x3/4x3/4"	1.984	3.969	1.938
1x1x3/4"	1.703	3.406	1.538
1-1/2x1-1/2x1-1/2"	1.532	3.064	2.125
1-1/2x1-1/2x3/4"	1.883	3.766	1.795
1-1/2x1-1/2x1"	1.883	3.766	1.961
2x2x2"	2.500	5.000	2.500
2x2x3/4"	2.062	4.125	2.334
2x2x1"	2.062	2.062	2.500



NOTE: ALL WETTED PARTS ARE LOW LEAD BRASS ALLOY

FILEPATH: PRODD-ENG\MUELLER\ASYSUBMITTALS\H15381N

				DRF TR JGarvin 12-21-09	Mueller Co.		UNLESS OTHERWISE NOTED SURFACE PREPARATION: BREAK CORNER(S) ---- .000 SURFACE FINISH -- XX RMS TOLERANCE(S): LINEAR ----- ± .000 ANGULAR ----- ± 0°00'		THIRD ANGLE PROJECTION 	
				CHKR						
				ENGR						
				MGR						
				BY	DATE	REF. No.		SCALE		
				STK No:		FULL				
				MAT'L:						
REV	ECR	DESCRIPTION	DATE	BY	CHKR	DESCR. BRASS TEE LOW LEAD BRASS (110 CTS x 110 CTS x 110 CTS)				
PER EST NO: DXXXX EST FIN WT = 0.0000 lbs						PART NUMBER H15381N				

PART NUMBER
H15381N
44E-MRKTG

April 28, 2017

Subject: Mueller Co. Service Brass

To Whom It May Concern:

This will certify that Mueller Co. service brass, which includes corporation stops, curb stops, service fittings, meter valves, copper meter yokes and end connections, are manufactured and tested in accordance with the latest revision of AWWA C800 standard and are certified to NSF 61.

Components that come in contact with potable water comply with the latest requirements of the U.S. Federal Safe Drinking Water Act that was enacted on January 4, 2014.

Sincerely,



Larry Aulich
Senior Product Manager
Mueller Company