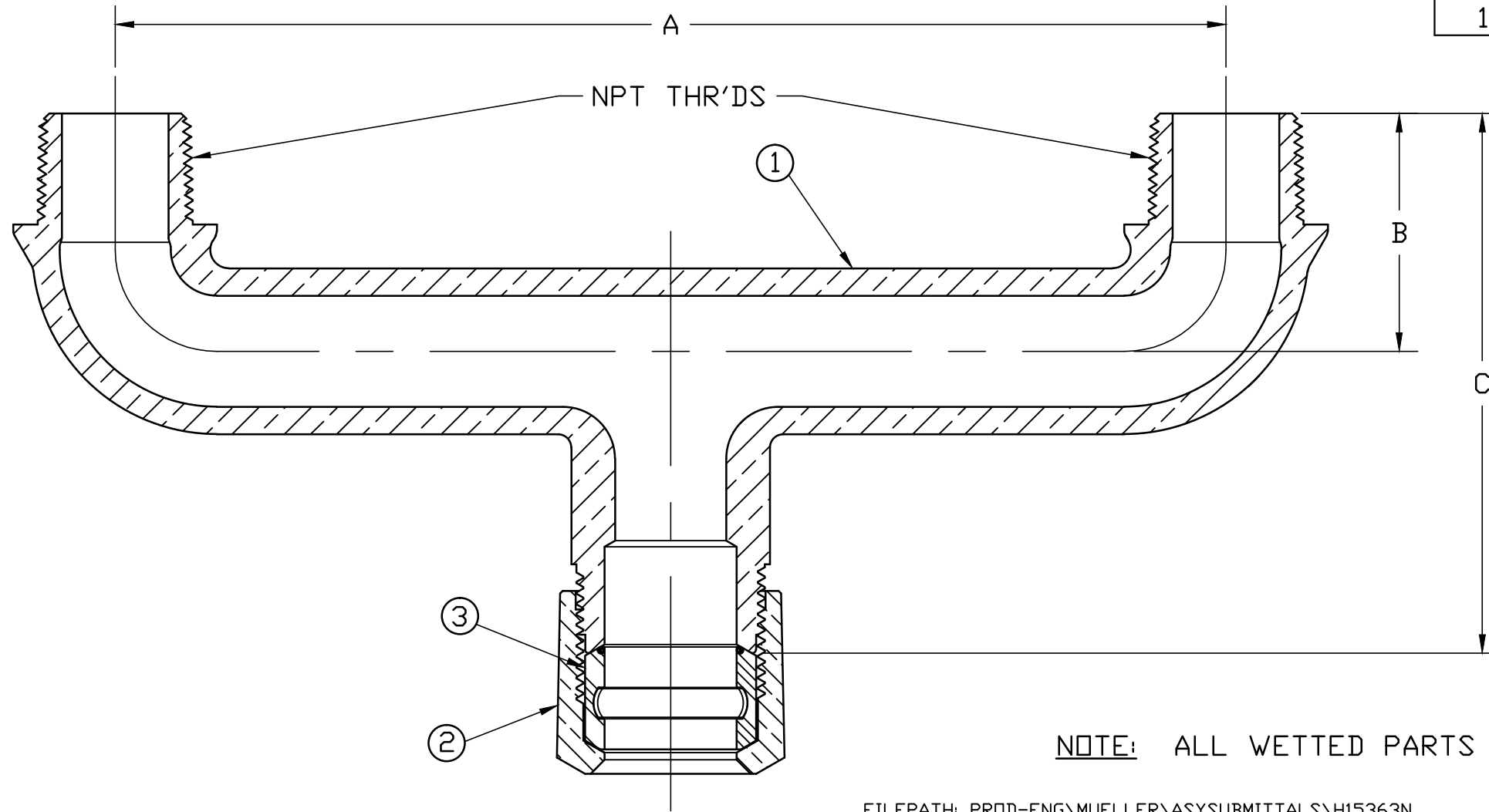


ITEM	DESCRIPTION	MATERIAL DESCRIPTION
1	BRANCH	CAST LOW LEAD BRASS ALLOY
2	CONNX NUT	CAST BRASS ASTM B62 ALLOY C83600
3	GASKET	ASTM D2000 (SBR)

SIZE	A	B	C
3/4" x 3/4" x 7-1/2"	7.50	1.61	3.65
1" x 3/4" x 6-1/2"	6.50	1.56	3.49
1" x 3/4" x 7-1/2"	7.50	1.56	3.49
1" x 3/4" x 13-1/2"	13.50	1.61	3.57
1-1/2" x 3/4" x 7-1/2"	7.50	1.49	3.38
1" x 1" x 7-1/2"	7.50	1.59	3.52
1-1/2" x 1" x 7-1/2"	7.50	1.61	3.50



NOTE: ALL WETTED PARTS ARE LOW LEAD BRASS ALLOY

FILEPATH: PROD-ENG\MUELLER\ASYSUBMITTALS\H15363N

DRFTR	RWB	1/7/11			
CHKR					
ENGR					
MGR					
			UNLESS OTHERWISE NOTED	THIRD ANGLE PROJECTION	
			SURFACE PREPARATION:		
			BREAK CORNER(S) ---- .000	REF. No.	
			SURFACE FINISH -- XX RMS	SCALE	
			TOLERANCE(S):	NONE	
			LINEAR ----- ± .000		
			ANGULAR ----- ± 0°00'		
			BY	DATE	
			STK No:		
			MAT'L:		
			DESCR.		
A	3917	REM'D 1x1x13.5	12/7/12	RWB	
REV	ECR	DESCRIPTION	DATE	BY	CHKR
PER EST NO: DXXXX EST FIN WT = 0.0000 lbs					
U-BRANCH CONNECTION LOW LEAD BRASS (110 CTS x MIP)				DWG NUMBER H15363N	

DWG NUMBER
H15363N
442-MRKTNG

TITLE TO AND OWNERSHIP OF THIS ENGINEERING DATA REMAINS IN Mueller Co. NO USE IS TO BE MADE OF THIS DATA EXCEPT AS SPECIFICALLY AUTHORIZED BY Mueller Co. ASSENT ON THE PART OF THE RECIPIENT TO THESE CONDITIONS IS PRESUMED

April 28, 2017

Subject: Mueller Co. Service Brass

To Whom It May Concern:

This will certify that Mueller Co. service brass, which includes corporation stops, curb stops, service fittings, meter valves, copper meter yokes and end connections, are manufactured and tested in accordance with the latest revision of AWWA C800 standard and are certified to NSF 61.

Components that come in contact with potable water comply with the latest requirements of the U.S. Federal Safe Drinking Water Act that was enacted on January 4, 2014.

Sincerely,



Larry Aulich
Senior Product Manager
Mueller Company