



Read and Save These Instructions
All Hoods Must Be Installed By A Qualified Installer

INSTALLATION INSTRUCTIONS

WALL MOUNT LINER INSERT WITH

M600 OR M1200 BLOWER

Read All Instructions Thoroughly Before Beginning Installation

WARNING - TO REDUCE THE RISK OF FIRE, ELECTRIC SHOCK, OR INJURY TO PERSONS, OBSERVE THE FOLLOWING:

- A. Installation work and electrical wiring must be done by qualified person(s) in accordance with all applicable codes and standards, including fire-rated construction. Switch power off at service panel and lock the service disconnecting means to prevent power from being switched on accidentally during installation.**
- B. When cutting or drilling into wall or ceiling, do not damage electrical wiring and other hidden utilities.**
- C. Ducted fans must always be vented to the outdoors.**
- D. Sufficient air is needed for proper combustion and exhausting of gases through the flue (chimney) of fuel burning equipment to prevent back drafting. Follow the heating equipment manufacturer's guideline and safety standards such as those published by the National Fire Protection Association (NFPA), and the American Society for Heating, Refrigeration and Air Conditioning Engineers (ASHRAE), and local code authorities.**
- E. ASHRAE residential ventilation standard 62.2 limits exhaust fans (total) to a maximum of 15 CFM per 100 square feet of occupiable space, unless a back drafting test is performed or make-up air is provided. Consult a local HVAC engineer for make-up air evaluation.**

WARNING - TO REDUCE THE RISK OF FIRE, USE ONLY METAL DUCTWORK

Vent-A-Hood®

Ducting Do's and Don'ts

General Requirements

- Observe local codes regarding special duct requirements and placement of duct against combustibles.
- Using Vent-A-Hood transitions (back page) will ensure proper efficiency.
- Using Vent-A-Hood roof jacks or wall louvers (back page) will ensure proper efficiency.
- Where possible, seal joints with duct tape.
- The hood must be ducted to the outdoors without restrictions.

Blower Requirements

- The single blower unit (M600) requires 6" round duct or equivalent (28 square inches), and the dual blower unit (M1200) requires 10" round duct or equivalent (79 square inches).

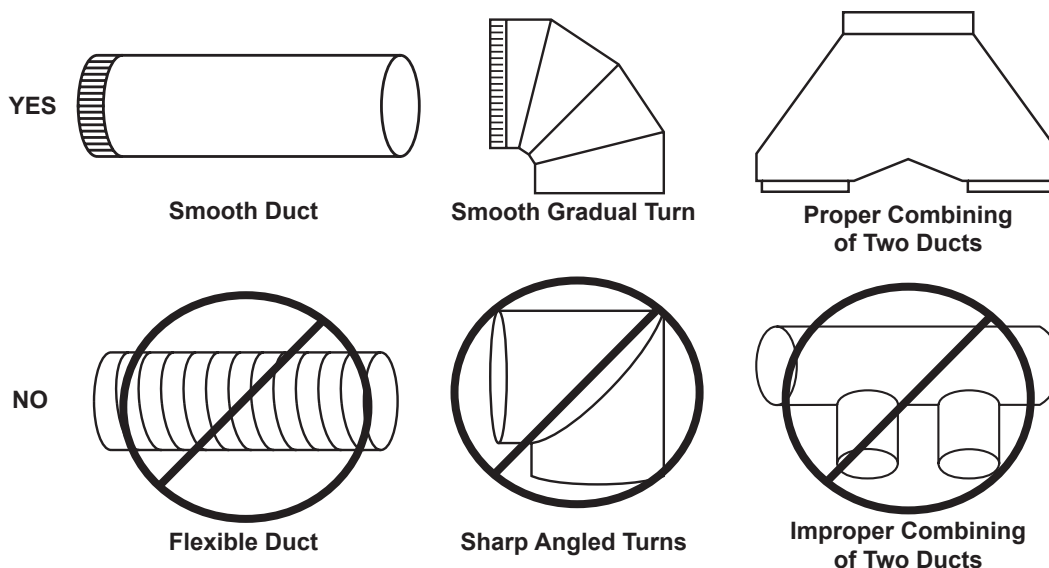
Blower	Combined Duct Dize	Sq. Inch Area	Vent-A-Hood Transition
Single (M600)	6" round or equivalent	28 sq. in.	N/A
Dual (M1200)	10" round or equivalent	79 sq. in.	VP566 (Included)

Ducting Requirements

- **NEVER** reduce the duct size.
- Do not use flexible or corrugated duct. This type of duct will restrict airflow and reduce performance.
- Only use smooth, galvanized, metal duct.
- Make the duct run as short and as straight as possible with as few turns as possible.
- Avoid sharp-angled turns. Instead, use smooth, gradual turns such as adjustable elbows or 45 degree angled turns.
- For duct runs over 20 feet, increase the duct diameter by one inch for every ten feet of duct.
- A 90 degree elbow is equal to 5 feet of duct.

Termination Requirements

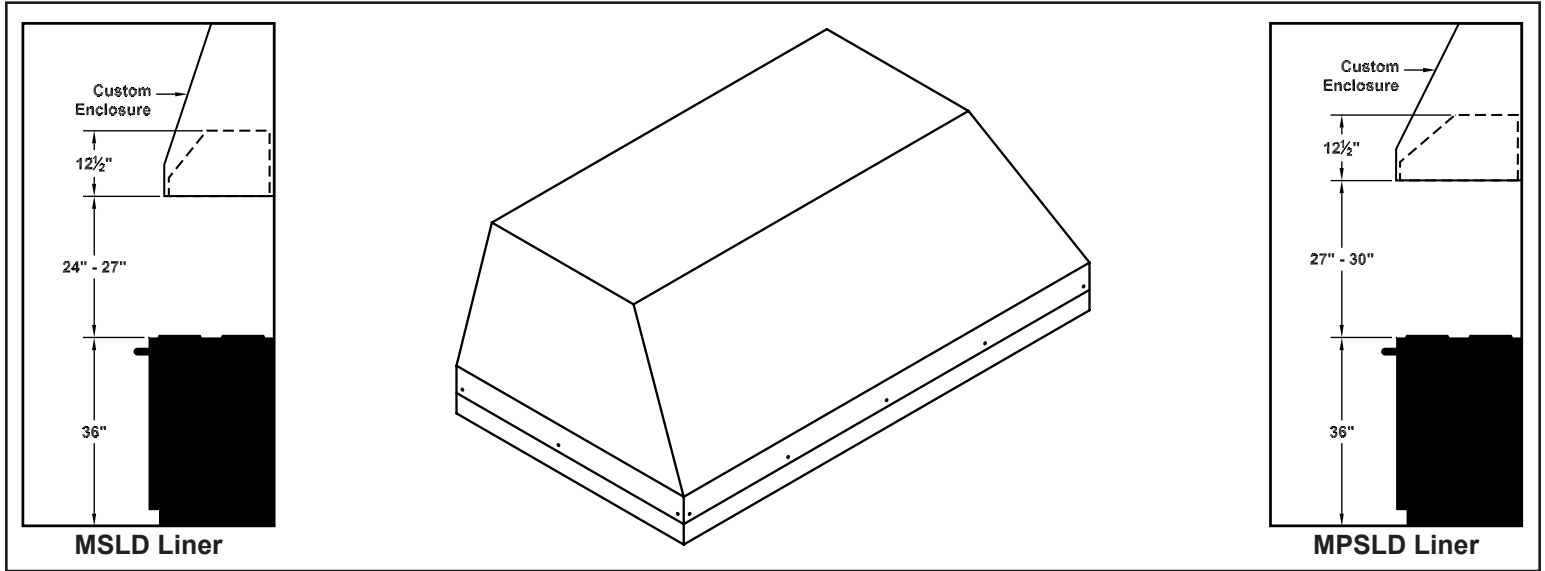
- Airflow must not be restricted at the end of the duct run.
- A wall louver or roof jack is required for each duct run.
- Every wall louver or roof jack must include a gravity damper to prevent back drafts.
- Do not use screen wire or spring-loaded doors on wall louvers or roof jacks.
- Do not terminate venting into an attic or chimney.



Vent-A-Hood®

Installation Details

- 1) Read all instructions thoroughly before beginning installation. Note: These instructions apply to standard liners only. Custom liners may require additional specification consideration.
- 2) When installing a MSLD wall mount liner (19 1/4" deep), it is recommended that the bottom edge of the liner be located no more than 24" - 27" above the cooking surface for optimum performance. For MPSLD wall mount liners (22 1/2" deep), it is recommended that the bottom edge of the liner be located no more than 27" - 30" above the cooking surface for optimum performance.



- 3) Install the duct from the outside of the home down to the location of the exhaust outlet on the top of the liner allowing room for the transition (if applicable). If a transition is used, install duct down to the location of the transition outlet plus 1". This will allow the transition to engage 1" inside of duct. Consult the connection diagrams (below) for further details on exhaust outlet placement.

Use duct tape to seal all joints. A complete listing of available Vent-A-Hood ducting materials is included on the back page of this instruction sheet.

Transition heights are as follows:

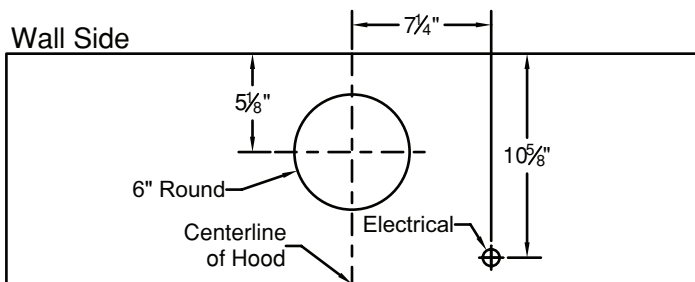
Single Blower (M600):

6" round duct will connect directly to the top of the liner.

Dual Blower (M1200):

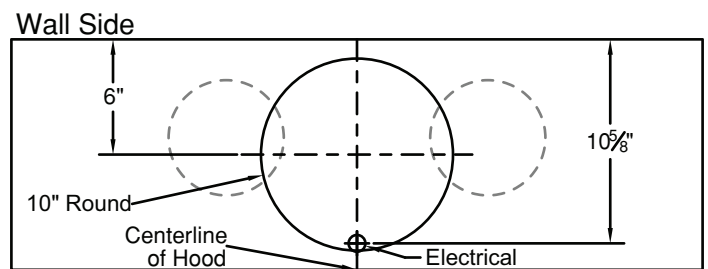
Included 10" round transition (VP566) is 9" tall.

M600 Connection Diagram



**Single Blower
(Top View)**

M1200 Connection Diagram



**Dual Blower
(Top View)**



Installation Details Continued

- 4) Remove the liner from its packaging and place it back side down on the floor or countertop in front of the wall where it will hang.
- 5) Remove the nuts retaining the safety straps on the inside ends of the liner shell. Pull the safety straps off of the studs to disengage. Separate the lower filter/control section from the liner shell by pulling them apart. These sections only are held together by snaps once the safety straps are disengaged. Disconnect the electrical power cord from the reverse side of the filter/control section. Set the filter/control section aside.

Warning: Make sure power is off and locked at the service disconnecting means on the service panel during installation.

- 6) Liner shells are shipped from the factory with the junction box mounted for the M1200 double blower configuration. Remove the junction box cover. If the M600 single blower will be used, relocate the junction box and ground strap to the offset location. Install an appropriate 1/2" UL listed electrical wire clamp through the electrical opening on top of the liner shell. Install electrical wiring from the service panel to the liner location. Consult the connection diagrams (on previous page) for further details on electrical placement.

Model	Volts	Amps*	Hz	CFM SP@0.0"	CFM SP@0.1"	CFM SP@0.25"	CFM SP@0.5"	CFM SP@0.75"	Minimum Round Duct Size
M600 Single	115	5.0	60	630	625	615	600	580	6" (28 in. ²)
M1200 Dual	115	10.0	60	1035	1015	1000	955	915	10" (79 in. ²)

* Add 0.5 amp for each halogen light. 2 lights: 30" - 41", 3 lights: 42" - 53", 4 lights: 54"-66"

- 7) For M600 single blower installation, skip to Step 8. Install the 10" transition (VP566, included) to the top of the liner shell with the screws provided. Seal the base of the transition to the hood with duct tape.
- 8) Extend wires to the liner shell and insert them into the electrical wire clamp on the junction box. Tighten the wire clamp. From inside the liner, using UL listed wire nuts, attach the "neutral" wire to the white lead, the "hot" wire to the black lead, and the ground wire to the green lead inside the junction box. Replace the junction box cover.

Warning: Do not operate hood without proper ground connection.

- 9) Taped inside the liner behind the filters is a drill template/spacing tool. This tool will be used to locate the pilot mounting holes for the four corners of the liner shell and set the spacing between the bottom of the liner shell and the bottom of the decorative enclosure.

Ready a power drill with a 3/32" drill bit to have within reach while working inside of the decorative enclosure. Hold the template with the long side standing up and the short side pointing left. Place the long side of the template against the inside of the left end of the enclosure. Slide the template up until the short side of the template rests against the bottom of the enclosure. Now slide the template along the bottom of the enclosure until the edge of the template rests against the back of the enclosure. The hole in the template is now in the location of the back left liner shell mounting screw. Drill a shallow pilot hole taking care not to drill through the decorative enclosure.

Slide the template along the bottom of the enclosure until the edge of the template rests against the front of the enclosure. The hole in the template is now in the location of the front left liner shell mounting screw. Drill a shallow pilot hole and repeat for the front and rear mounting holes on the right end of the decorative enclosure.

- 10) While guiding the wires, lift the liner shell into the enclosure about 1-1/2" up from the bottom edge of the decorative enclosure taking care to properly align the duct connection (M1200 blower). Wood strips may be necessary to fill any gaps between the opening and the liner if the opening in the surround is larger than the liner. Loosely install a wood screw (included) into the four slotted corner holes along the bottom edge of the liner shell.
- 11) Hold the template with the short side standing up and the long side pointing left. Place the short side of the template against the inside of the left end of the enclosure. Move the shell liner up or down in the slotted holes until the bottom of the shell liner is flush with the top of the short side of the spacing tool. Move the tool to all four bottom corners of the enclosure and adjust the shell liner position until the spacing tool fits properly all around. Tighten the four corner screws.



Installation Details Continued

- 12) To confirm a flush alignment into the decorative enclosure, temporarily snap the filter/control section into the liner shell. Adjust corner screws if necessary.
- 13) Unsnap the filter/control section from the bottom of the liner shell and insert wood screws (included) in the remaining holes along the bottom edge of the liner shell.
- 14) Raise the blower plate into the liner shell first aligning the ducting (M600 blower only) and then aligning the blower mounting studs to the holes in the blower plate. Secure the blower assembly with the nuts provided. This duct connection typically cannot be sealed.
- 15) Hold the filter/control section just below the liner shell and connect the motor harness and power cord to the sockets in the filter/control section electrical cover. Snap the filter/control section to the bottom of the liner shell. Secure the left and right filter/control section safety straps to the studs on the inside ends of the liner shell with the nuts previously removed in Step 5.
- 16) To install the baffle filter, hold the filter with the knob facing down and toward the front of the hood. Insert the back of the filter into the back filter channel with enough force to compress the filter spring. Raise the front of the filter inline with the front filter channel and slowly release the spring force.

To remove the baffle filter, push the filter knob toward the back filter channel to compress the filter spring. Lower the front of the filter below the front filter channel and slowly release the spring force.
- 17) Refer to the Owner Maintenance Guide Operating Instructions for proper hood operation. Test all blower and light functions to ensure they are operating properly.

VENTING

Vent-A-Hood®

ACCESSORIES

WALL LOUVER

MODEL	DIM
VP526	6" Round
VP527	7" Round
VP528	8" Round

WALL LOUVER

MODEL	DIM
VP554	10" Round

WALL LOUVER

MODEL	DIM
VP555	12" Round

RECTANGULAR WALL LOUVER

MODEL	DIM
VP538	6" x 8 1/2"
VP560	3 1/4" x 10"

LOW PROFILE ROOF JACK (MAXIMUM 4/12 PITCH)

MODEL	DIM
VP539	6" Round
VP540	7" Round
VP541	8" Round

LOW PROFILE ROOF JACK (MAXIMUM 4/12 PITCH)

MODEL	DIM
VP552	10" Round
VP553	12" Round

LOW PROFILE ROOF JACK (MINIMUM 4/12 PITCH)

MODEL	DIM
VP539-HP	6" Round
VP540-HP	7" Round
VP541-HP	8" Round

LOW PROFILE ROOF JACK (MINIMUM 4/12 PITCH)

MODEL	DIM
VP552-HP	10" Round
VP553-HP	12" Round

ADJUSTABLE ELBOW

MODEL	DIM
VP513	6" Round
VP514	7" Round
VP515	8" Round

BACK/SIDE VENT ELBOW

MODEL	DIM
VP561	8" to 6" x 8 1/2"

3 1/4" x 10" BACK VENT ELBOW

MODEL	DIM
VP559	3 1/4" x 10"

3 1/4" x 10" TO 7" TRANSITION

MODEL	DIM
VP521	3 1/4" x 10" to 7"

MULTI-BLOWER TRANSITION

MODEL	DIM
VP562	6" & 8" to 10"
VP563	8" & 8" to 12"

M1 200 STANDARD TRANSITION

MODEL	DIM
VP566	21" x 8" to 10"

STANDARD ISLAND TRANSITION

MODEL	DIM
VP565	5" x 16" to 8"

CLUSTER BLOWER TRANSITION

MODEL	DIM
VP564	8" & 8" to 12"

OFFSET L & R TRANSITION FOR ISLAND BLOWERS

MODEL	DIM
VP542	Top Left
VP543	Top Right

SIDE VENT TRANSITION L & R FOR ISLAND BLOWERS

MODEL	DIM
VP544	Left Side
VP545	Right Side

OFFSET KIT - ROUND

MODEL	DIM
VP529	6" Rnd to 7" Rnd

OFFSET KIT - RECTANGULAR

MODEL	DIM
VP550	6" Rnd to 3 1/4" x 10"

"Y" TRANSITION

MODEL	DIM
VP517	8" & 8" to 12"
VP518	6" & 8" to 12"
VP551	6" & 8" to 10"

ROUND DUCT PIPE

MODEL	DIM
VP500	6" Round
VP501	7" Round
VP502	8" Round

3 1/4" RECTANGULAR DUCT PIPE

MODEL	DIM
VP504	3 1/4" x 10"
VP505	3 1/4" x 12"
VP506	3 1/4" x 16"

6" RECTANGULAR DUCT PIPE

MODEL	DIM
VP507	6" x 8 1/2"