



**Greenwich™**  
Wall-Mount Bathroom Sink  
**K-2031**

**Features**

- Made from premium materials that withstand high-volume usage
- Constructed of vitreous china
- 20-3/4"L x 18-1/4"W
- Wall-mount installation
- Faucet not included
- Includes wall hanger
- Drilled for concealed arm carrier

**Recommended Accessories**

- K- 8998 P-Trap
- K- 1808-P Bathroom Sink Brackets

**Components**

Additional included component/s: Hanger (2 Required).



**ADA**

**Codes/Standards**


ASME A112.19.2/CSA B45.1  
ADA  
ICC/ANSI A117.1

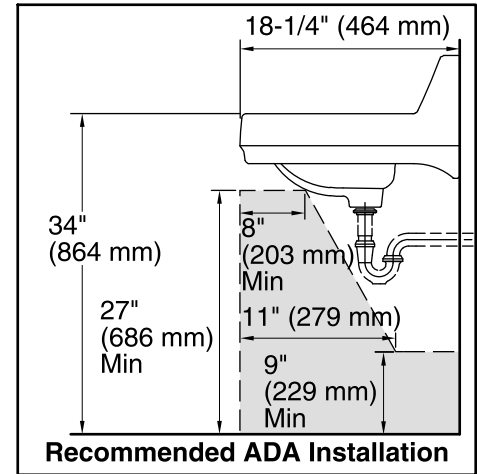
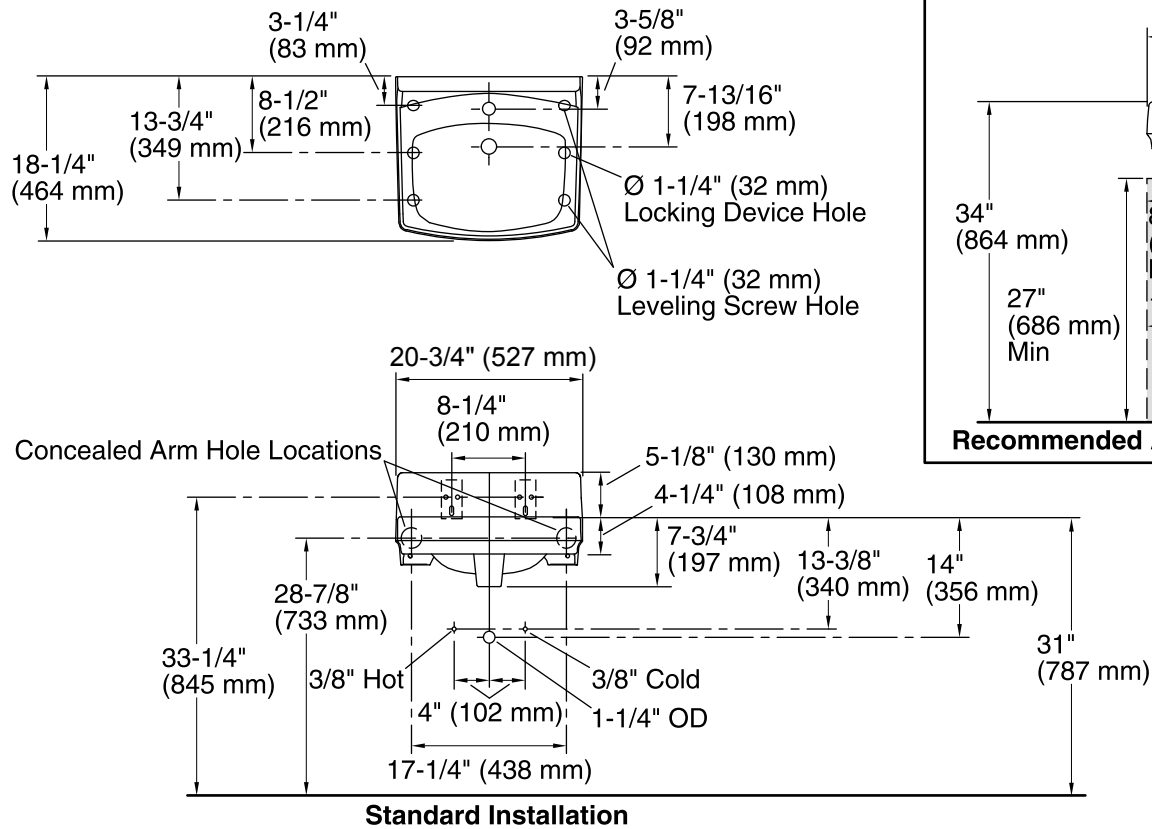
See website for detailed warranty information.

**Available Color/Finishes**

*Color tiles intended for reference only.*

**Color Code Description**

 0 White



### Technical Information

All product dimensions are nominal.

Bowl configuration:	Single
Installation:	Wall-mount
Bowl area (Center)	Length: 10" (254 mm) Width: 15" (381 mm) With overflow: Yes Water depth: 3-1/4" (83 mm)
Bowl area	With overflow: Yes
Number of deck holes:	1
Faucet hole(s):	1-3/8" (35 mm)
Soap/Lotion hole:	1-1/4" (32 mm)
Drain hole:	1-3/4" (44 mm)

### Notes

Install this product according to the installation guide.

ADA compliant when installed to the specific requirements of these regulations.