

Fig. 135: Straight with Sight-Hole

Rod Coupling

Fig. 135E: Straight Less Sight-Hole

Fig. 135R: Reducing

Size Range: 1/4" through 1"

Material: Carbon steel

Finish: Fig. 135: Plain; Fig.135E and Fig.135R Galvanized

Service: For connecting rods to accommodate up to 1" diameter and support up to 5,900 pounds.

Ordering: Specify rod size, figure number and name.

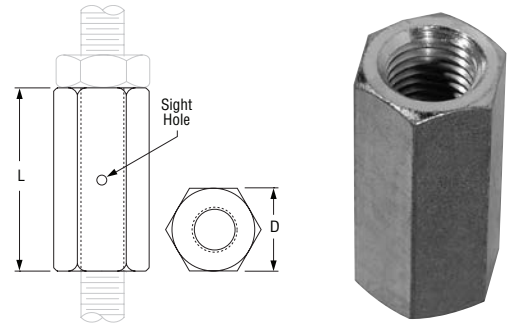


FIG 135, 135E, 135R: LOADS (LBS) • WEIGHTS (LBS) • DIMENSIONS (IN)

Rod Size A	Max Load	Weight	D	L
Fig. 135: Straight With Sight-Hole				
3/8	730	0.09	5/8	1 1/8
1/2	1,350	0.12	3/4	1 1/2
5/8	2,160	0.24	15/16	1 7/8
3/4	3,230	0.42	1 1/8	2 1/4
7/8	4,480	0.66	1 5/16	2 5/8
1	5,900	1.00	1 1/2	3
Fig. 135E: Straight Less Sight-Hole				
1/4	240	0.03	3/8	7/8
3/8	730	0.09	5/8	1 1/8
1/2	1,350	0.14	11/16	1 3/4
5/8	2,160	0.26	13/16	2 1/8
3/4	3,230	0.34	1	2 1/4
Fig. 135R: Reducing				
3/8 x 1/4	240	0.13	5/8	1 1/2
1/2 x 3/8	730	0.13	11/16	1 1/4
5/8 x 1/2	1,350	0.19	13/16	1 1/4
3/4 x 5/8	2,160	0.26	1	1 1/2
7/8 x 3/4	3,230	0.41	1 1/4	1 3/4

PROJECT INFORMATION

APPROVAL STAMP

Project:	<input type="checkbox"/> Approved
Address:	<input type="checkbox"/> Approved as noted
Contractor:	<input type="checkbox"/> Not approved
Engineer:	Remarks:
Submittal Date:	
Notes 1:	
Notes 2:	