



**Vault™**

Top-mount Apron Front Kitchen Sink

**K-3944-1**

### Features

- 36-inch minimum base cabinet width.
- 18-gauge stainless steel.
- Top-mount.
- Double equal bowls.
- Single faucet hole.
- With integral shortened self-trimming apron.
- With SilentShield® sound-absorption technology.
- 35-3/4" (908 mm) x 24-5/16" (618 mm)

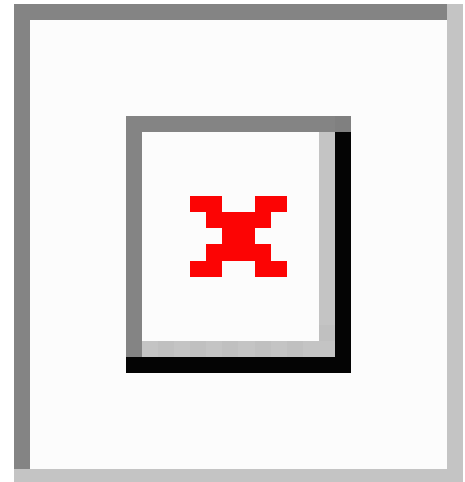
### Optional Accessories

- K- 6429 Utility Rack
- K- 6432 Saddle Towel Bar
- K- 6434 Saddle Utility Rack
- K- 6475 Sink Rack
- K- 8801 Sink Strainer

### Components

Product includes:

- 1130570 Hardware Kit, Self-Rimming
- 1173293 Hardware Kit, Side Clip



### Codes/Standards

ASME A112.19.3/CSA B45.4

### Lifetime Limited Warranty for

**KOHLER® Stainless Steel Sinks**

See website for detailed warranty information.

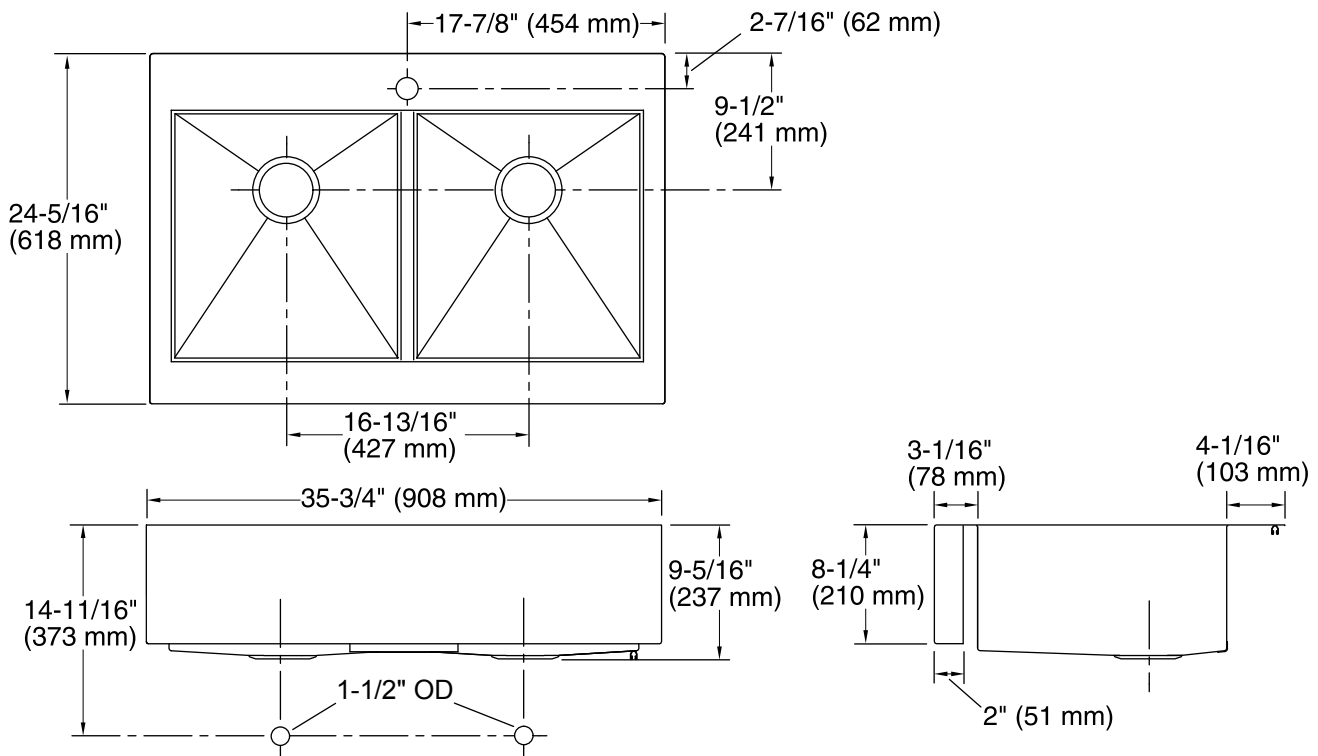
USA/Canada: 1-800-4KOHLER (1-800-456-4537)

Kohler Co. reserves the right to make revisions without notice to product specifications.

For the most current Specification Sheet, go to [www.kohler.com](http://www.kohler.com).

3-28-2016 02:12

THE BOLD LOOK  
OF **KOHLER®**



### Technical Information

All product dimensions are nominal.

Bowl configuration: Double equal

Installation: Top-mount

Min. base cabinet width: 36" (914 mm)

Bowl area (Left) Length: 17-3/16" (437 mm)  
 Width: 15-11/16" (398 mm)  
 Bowl depth: 9" (229 mm)

Bowl area (Right) Length: 17-3/16" (437 mm)  
 Width: 15-11/16" (398 mm)  
 Bowl depth: 9" (229 mm)

Number of deck holes: 1

Faucet hole(s): 1-7/16" (37 mm)

Drain hole: 3-5/8" (92 mm)

Template: Top-mount, 1166717-7, required, included  
 Apron Front, 1178341, required, included

### Notes

Install this product according to the installation guide.