

# 60 x 60 Plus A Series Whirlpool & Soaking Baths



## Product Features

- Durable easy-care acrylic construction
- Eight fully adjustable color matched hydro jets
- High efficiency 5.6 amp/.8 HP motor
- Factory preset air controls for whirlpool action
- Textured slip resistant bottom
- Air activated on/off switch
- Available as an invigorating whirlpool and an unjetted soaking bath

## General Specifications

- 60" side length
- 21" depth overall
- 60" side width
- 72 gallon operating capacity
- 109 gallon total capacity to overflow
- Electrical service requirements: Motor 120 V., 10.5 A., 50/60 Hz., Single Phase, Class B Insulation
- Ground fault circuit protection must be provided by installer
- Prewired for simple plug-in installation



PFWPLUSAL6060WH

Shown with optional removable panel apron

## Model Numbers

PFWPLUSAL6060	60" x 60" LH corner whirlpool
PFWPLUSAR6060	60" x 60" RH corner whirlpool
PFS6060	60" x 60" acrylic corner soaking bath
PFSK6060	Removable apron
PFTLKC	Tile flange kit for 60" x 60"
MIRPRESSHTR	Whirlpool heater

NOTE: Choose left hand or right hand based on desired pump location.

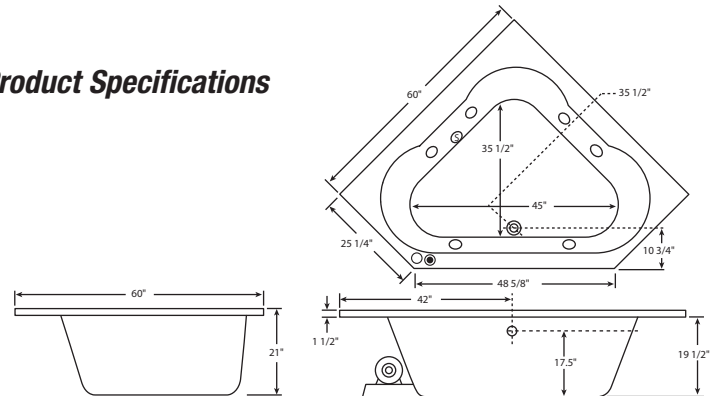
## Recommended Parts

- MB138882 17-22 PVC Cable drain w/ trim - BN
- MB138883 17-22 PVC Cable drain w/ trim - CP
- MB138884 17-22 PVC Cable drain w/ trim - ORB
- MB138885 17-22 ABS Cable drain w/ trim - BN
- MB138886 17-22 ABS Cable drain w/ trim - CP
- MB138887 17-22 ABS Cable drain w/ trim - ORB

## Warranty and Codes

This product features a 5-year limited warranty and meets or exceeds the following standards: Whirlpools - IAPMO PS32-84, UL listing 27E7, ANSI Z124.1-95, ASME A112.19.8M-87R(96) and ASME A112.19.7M-95. Baths - ANSI Z124.1-95. In an effort to continually improve our products, design changes may periodically be made. Ferguson reserves the right to provide newly designed material to fill any order unless otherwise agreed to in writing.

## Product Specifications



## Color Palette

- White
- Biscuit

## Installation Instructions

Never allow the weight of the tub to be supported by lip on deck or stringers, as this could result in product failure and void the Warranty. If utilities are available, level and fill tub with water and test for proper operation and drainage or possible water leaks due to transit/handling damage. It is REQUIRED that the tub be supported by the tub bottom and not the tub lip. The lip should only rest on the finished deck surface or support stringers. The tub bottom must be supported by a setting compound such as cement or mortar (fast cure materials are not recommended due to excessive shrinkage). Failure to use a suitable setting compound will void the warranty. A sheet of plastic film on top of compound, is recommended as a barrier. The tub should be set in place (do not handle whirlpool by piping) while compound is still soft so that the compound will conform to the tub bottom. Tub should be worked down into compound so the lip of the tub just makes contact with finished deck surface or support stringers. It may be necessary to partially fill tub with water to aid in properly setting the tub.

NOTE: All dimensions and specifications are nominal and may vary  $\pm \frac{1}{4}$ ". Use actual products for accuracy in critical situations.

