



AVANT

## SPECIFICATIONS

Construction.....	Glass Mirror w/304 Stainless Mounting Bracket
Controllability.....	User to provide switching
Transformer output.....	12vac
Input.....	120VAC
Mirror Heater Wattage.....	50W

### Basic Features:

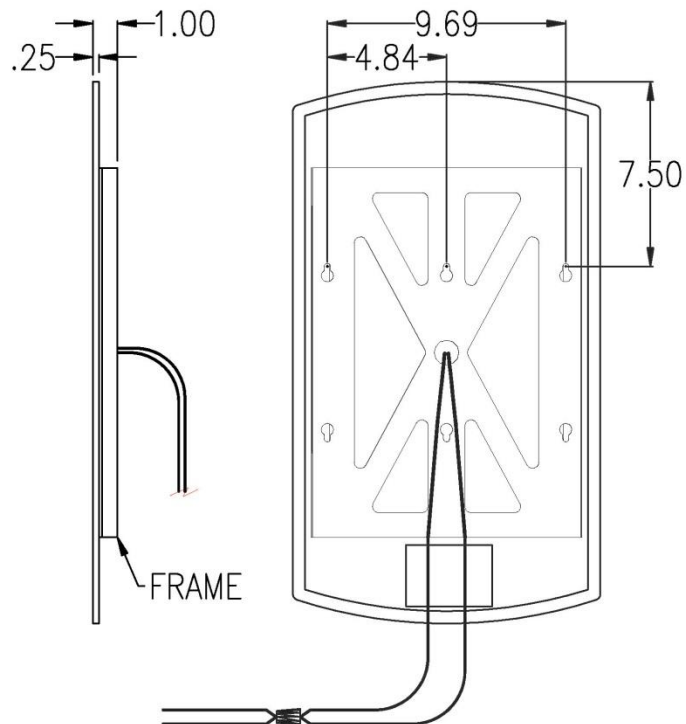
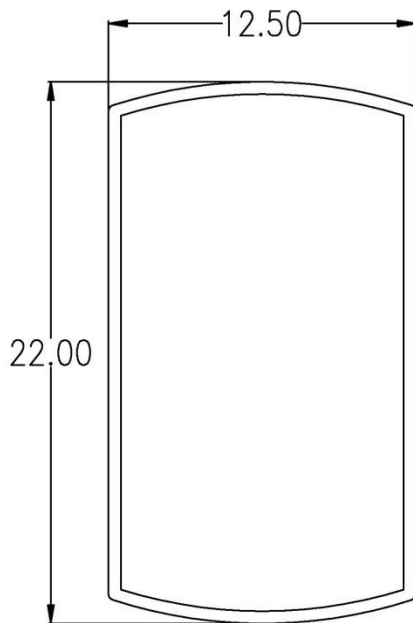
- Assembled mirror with heating pad
- Transformer wiring: 120V Input (black-white), 12V Output (red-blue)
- 2 – Solder-less connectors
- Backed with Metal mounting frame
- ¼" Thick Glass w/Polished Edges
- Able to withstand 250°F
- Mirror has PVC film shatter protection

### Product Specification:

¼" thick glass with metal mounting support bracket. Mirror mounts with two supplied screws and wall anchors.

### Installation Notes:

Install per 81161 install instructions [For product manual and, customer support; see WWW.Thermasol.com](#)



WIRES TO  
TRANSFORMER  
CONNECTIONS

### Shipping Information:

Weight.....21 lbs.  
Length.....30.75 in.  
Width.....18.32 in.  
Height.....4.68 in.

For any further assistance  
please contact ThermaSol  
at 800.776.0711 or  
[sales@thermasol.com](mailto:sales@thermasol.com)