

PFSD6C60ET & PFSD6C72ET



Dishwasher Connector Kits

Product Features:

- Kits include Hose and 2 DW elbow fittings:
3/8 MIP x 3/8 OD DW Elbow (PFMCECC) &
3/8 MIP x 3/4 FHT DW Elbow (PFDE)
- Stainless Steel braided hose
- Brass elbows with swivel nut features
- Working pressure: 200 PSI
- Working temperature: 25 ~ 160 F



PFSD6C60ET

Product Codes

Description



PFDE

3/4 FHT X 3/8 COMP DW ELBOW ONLY

PFDED

3/4 FHT X 1/2 COMP DW ELBOW ONLY



PFXSD6C60ET

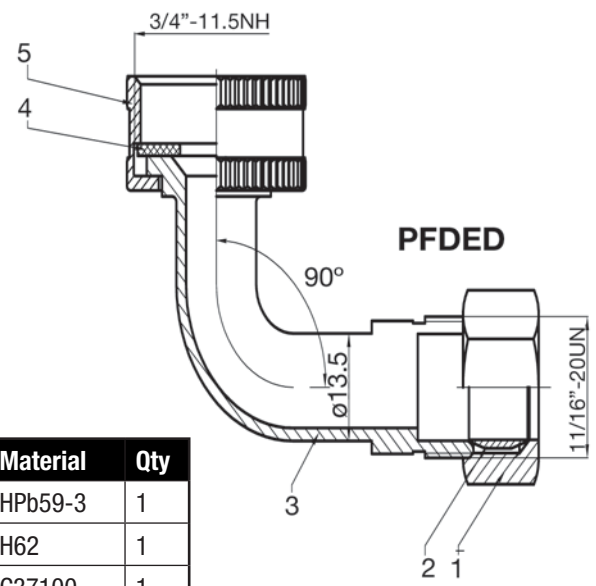
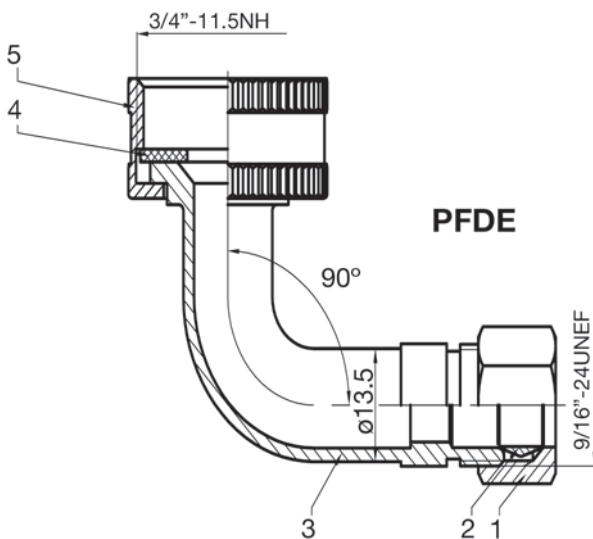
3X3/8 C 60 DW CONN W/ FHT ELBOW KIT



PFXSD6C72ET

3X3/8 C 72 DW CONN W/ FHT ELBOW KIT

Product Specifications



No.	Part	Material	Qty
1	Comp. Nut	HPb59-3	1
2	Sleeve	H62	1
3	Elbow	C37100	1
4	Flat Washer	EPDM	1
5	3/4" Nut	HPb59-3	1

Warranty and Codes:

This PROFLO product carries a 1-year limited warranty.

PFDE - cUPC certified; PFSD6C60ET & PFSD6C72ET - UPC & CSA certified

Distributed Exclusively by Ferguson and Wolseley Canada