



Dishwasher Connector Kits

Product Features:

- Kits include Hose and 2 DW elbow fittings:
3/8 MIP x 3/8 OD DW Elbow (PFMCECC) &
3/8 MIP x 3/4 FHT DW Elbow (PFDE)
- Stainless Steel braided hose
- Brass elbows with swivel nut features
- Working pressure: 200 PSI
- Working temperature: 25 ~ 160 F



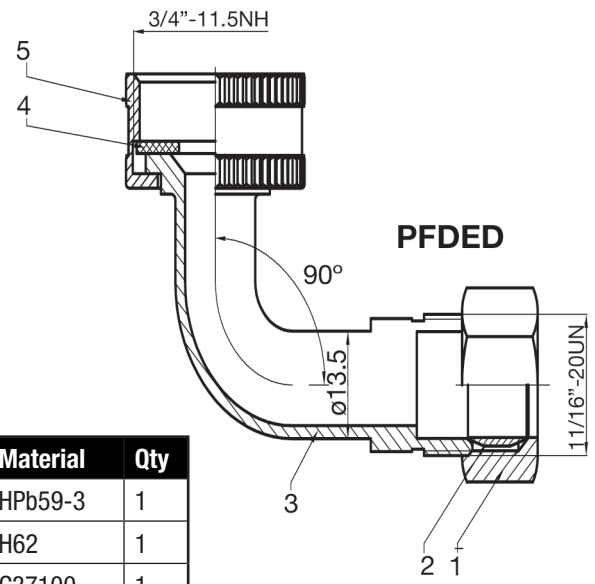
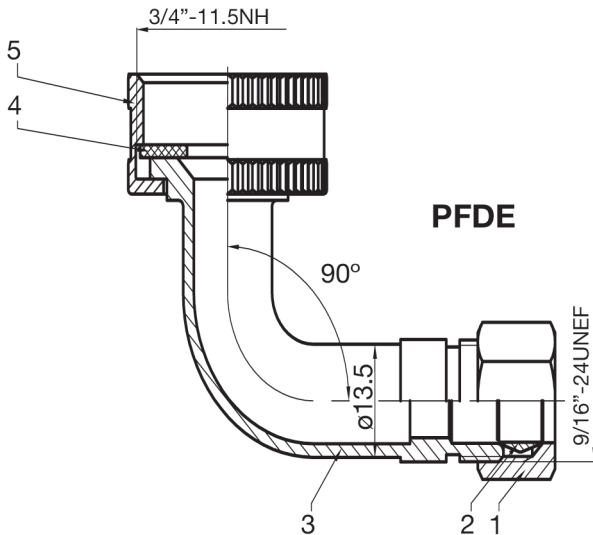
PFXSD6C60ET

Product Codes

Description

- PFDE** 3/4 FHT X 3/8 COMP DW ELBOW ONLY
- PFDED** 3/4 FHT X 1/2 COMP DW ELBOW ONLY
- PFXSD6C60ET** 3/8X3/8 C 60 DW CONN W/ FHT ELBOW KIT
- PFXSD6C72ET** 3/8X3/8 C 72 DW CONN W/ FHT ELBOW KIT

Product Specifications



| No. | Part | Material | Qty |
|-----|-------------|----------|-----|
| 1 | Comp. Nut | HPb59-3 | 1 |
| 2 | Sleeve | H62 | 1 |
| 3 | Elbow | C37100 | 1 |
| 4 | Flat Washer | EPDM | 1 |
| 5 | 3/4" Nut | HPb59-3 | 1 |

Warranty and Codes:

This PROFLO product carries a 1-year limited warranty.
PFDE - cUPC certified; PFXSD6C60ET & PFXSD6C72ET - UPC & CSA certified