

### EVOLUTION™ 5' x 32"

Comfortable bathing design with form-fitted backrest and molded-in armrests

#### 2422VC Whirlpool w/EverClean® System

- EverClean® System
- Deep Soak overflow drain
- 1.4 HP single speed pump/motor
- Side-mounted air switch On/Off
- Eight Jet system featuring:
  - Two flow adjustable Comfort Jets™ Hi-Flo Jets
  - Six flow adjustable Comfort Jets™ including two in lumbar area
- Two silent air volume controls
- Undermount installation option
- Quick connect whirlpool heater system (must order whirlpool heater separately)

#### 2422V Whirlpool

- Same as 2422VC without EverClean System

#### 2422V.002 Bathing Pool

#### Nominal Dimensions:

60" x 32" x 21-1/2"  
(1524 x 813 x 546mm)

#### Compliance Certifications -

#### Meets or Exceeds the Following Specifications:

- Underwriters Laboratories - Hydromassage Bathtubs UL 1795
- ASME A112.19.7M for Whirlpool Appliances
- ANSI Z124.1 for Plastic Bathtubs
- ASTM E162 for Flammability
- NFPA 258 for Smoke Density

American Standard whirlpools with EverClean® incorporate a patented silver-ion additive right into the circulation piping to protect the pipes from mold, mildew, algae and fungus that could cause deterioration or staining of the pipes.

SEE REVERSE FOR ROUGHING-IN DIMENSIONS  
AND PRODUCT SPECIFICATIONS



#### Components Required:

- Bath Filler\*: (specify finish)
- Bath Drain: 1599.205.XXX (specify color)

#### Custom Accessories Available:

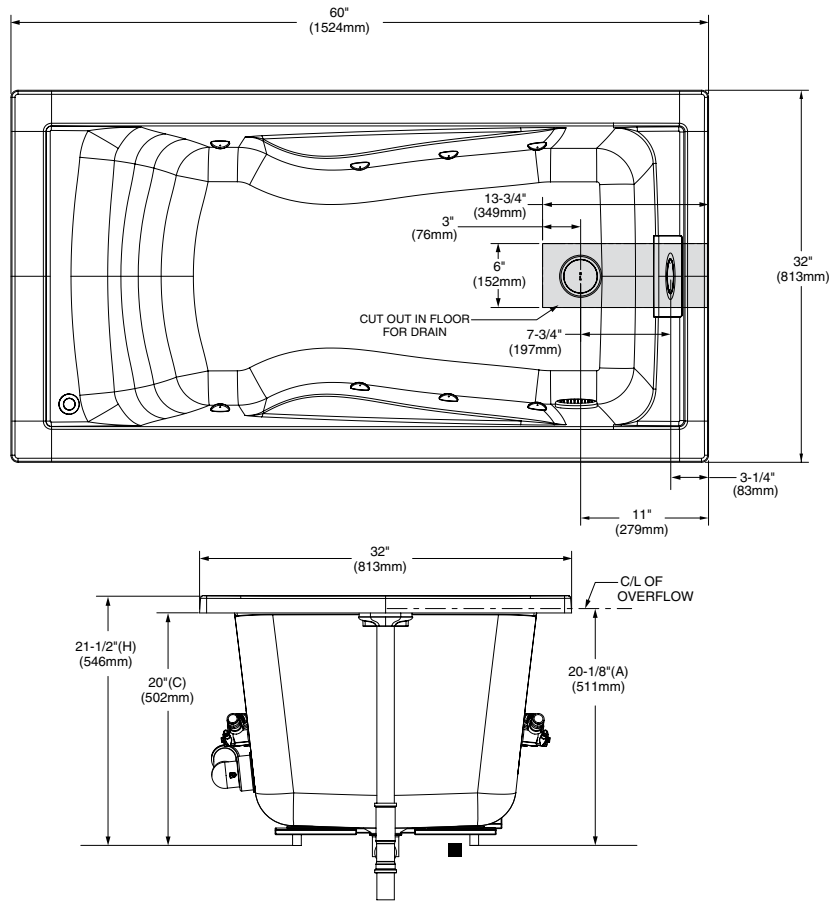
- Safe-T-Heater Whirlpool Heater: 9075.120
- 5 Foot Apron: 9261.019.XXX (specify color)
- Tile Bead Kit: 751755-100

\* See American Standard Faucet Selector

For color/finish availability and other faucet choices, please see the Product Selector and Pricing Guide.

**NOTE:** Whirlpool Heater is designed to maintain water temperature during operation. It will not heat cold water to desired bathing temperature.

Model **2422VA**  
shown



DIMENSIONS OF FIXTURES ARE NOMINAL AND MAY VARY WITHIN THE RANGE OF TOLERANCES ESTABLISHED BY ANSI STANDARDS Z124.1 AND A112.19.7.

**GENERAL SPECIFICATIONS FOR 2422V WHIRLPOOL**

INSTALLED SIZE \_\_\_\_\_ 60 x 32 x 21-1/2 In.  
(1524 x 813 x 546mm)  
WEIGHT \_\_\_\_\_ 74 Lbs. (34 Kg.)  
WEIGHT w/WATER \_\_\_\_\_ 690 Lbs. (313 Kg.)  
GAL. TO OVERFLOW \_\_\_\_\_ 74 Gal. (280 L)  
WHIRLPOOL MIN. OPERATING VOL. \_\_\_\_\_ 33 Gal. (125 L)  
BATHING WELL AT SUMP—41-1/4 x 22-1/4 In. (1048 x 565mm)  
BATHING WELL AT RIM— 52-1/4 X 26 In. (1327 x 660mm)  
WATER DEPTH TO OVERFLOW \_\_\_\_\_ 18-1/2 In. (470mm)  
FLOOR LOADING \_\_\_\_\_ 52 Lbs./Sq.Ft. (253 Kgs./Sq.m)  
(PROJECTED AREA)

**WHIRLPOOL ELECTRICAL SPECIFICATIONS**

PUMP \_\_\_\_\_ 1.4 HP, 9.7 AMPS, 120V.

**GENERAL SPECIFICATIONS FOR 2422V BATHING POOL**

INSTALLED SIZE \_\_\_\_\_ 60 x 32 x 20-1/2 (1524 x 813 x 546mm)  
WEIGHT \_\_\_\_\_ 54 Lbs. (27 Kg.)  
WEIGHT w/WATER \_\_\_\_\_ 675 Lbs. (306 Kg.)  
GAL. TO OVERFLOW \_\_\_\_\_ 74 Gal. (280 L.)  
BATHING WELL AT SUMP \_\_\_\_\_ 41-1/4 x 22-1/4 In. (1048 x 565mm)  
BATHING WELL AT RIM \_\_\_\_\_ 52-1/4 x 26 In. (1327 x 660mm)  
WATER DEPTH TO OVERFLOW \_\_\_\_\_ 18-1/2 (470mm)  
FLOOR LOADING \_\_\_\_\_ 57 Lbs./Sq.Ft. (247 Kgs./Sq.m)  
(PROJECTED AREA)

**NOTES:**

BATH CAN BE INSTALLED EITHER ABOVE OR BELOW FLOOR LINE AS PIER, ISLAND, OR PENINSULA TYPE INSTALLATION. SUPPORT OF BATH BY SUMP BEDDING. SUPPORT AND ENCLOSING MATERIAL BY OTHERS.

■ REFER TO INSTALLATION INSTRUCTIONS SUPPLIED WITH WHIRLPOOL FOR ADDITIONAL INFORMATION.

FITTINGS NOT INCLUDED AND MUST BE ORDERED SEPARATELY.

PROVIDE SUITABLE REINFORCEMENT FOR ALL SUPPORTS.

**IMPORTANT:** Dimensions of fixtures are nominal and may vary within the range of tolerances established by ANSI Standard Z124.1. These measurements are subject to change or cancellation. No responsibility is assumed for use of superseded or voided leaflet.