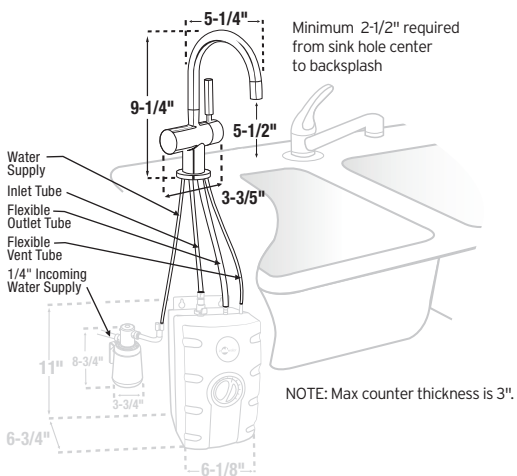




The Next Necessity™



Dimensions



Instant Hot Water Dispensers



F-H3300

Our finest line of instant hot water dispensers for use with our Stainless Steel Tank for filtered near-boiling 200°F water

Tank and filter sold separately (SST-FLTR)

Submittal Sheet

- **Hot Only** - Dispenses near-boiling 200°F water
- Unique single handle design provides a sleek, minimalist look
- OptiPush™ hot side activation with automatic shut off
- Activate the faucet handle by first pressing down and then pushing backward
- Ceramic valve resists corrosion
- Durable all brass faucet construction
- 5-Year *We Come To You*® In-Home Service Warranty*
- For use with InSinkEerator Stainless Steel Tank and F-201 Filtration System
- **Available in these designer finishes:** chrome and satin nickel

Specifications

Ceramic Valve	Instant, self-closing
Shipping Weight	Approximately 5.0 lbs.
Required Hole Diameter	1-3/8" - 1-1/2" standard sink hole



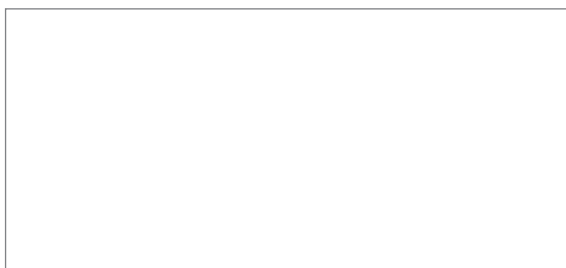
Sample Specification

Instant hot water dispenser(s) shall be InSinkEerator Model F-H3300 with 2/3-gallon stainless steel tank, adjustable temperature from 160°F to 210°F and instant, self-closing ceramic hot valve.

Warranty:
5-year parts and in-home service.

* The complete InSinkEerator warranty is included in the Care & Use booklet packed with each unit.

Job Specifications



Complies with California Lead Plumbing Law

USA
1-800-558-5700
www.insinkerator.com

Canada
1-800-561-1700
www.insinkerator.ca



The Emerson logo is a trademark and a service mark of Emerson Electric Co. InSinkEerator may make improvements and/or changes in the specifications at any time, in its sole discretion, without notice or obligation and further reserves the right to change or discontinue models. ©2012 InSinkEerator, a business unit of Emerson Electric Co. All Rights Reserved.