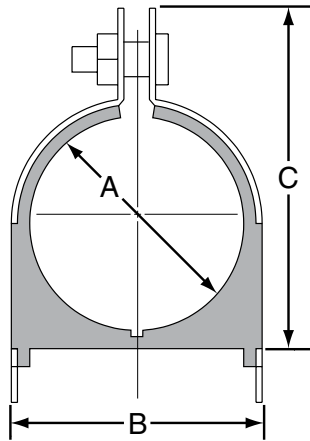
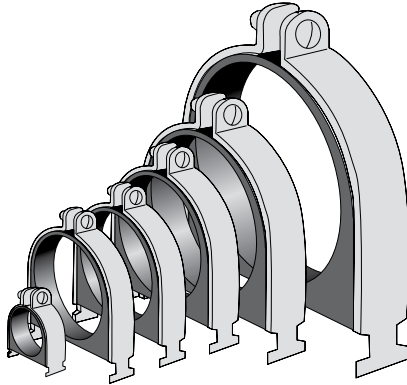


AS 0040D THRU AS 106P -  Make selection in chart below.

EG  ZTC  Other \_\_\_\_\_

### CUSHION CLAMP ASSEMBLY



**Material**

Clamp: 1008-1010 Carbon Steel  
 Cushion: Dupont Hytel  
 Locknut: Nylon Insert  
 Service Temperature: -65°F to 275°F.

Std Pkg & Wt/100 pcs: See chart above.

	Part No.	O.D. Size	A	B	C	Std Pkg	Wt/100 pcs
<input type="checkbox"/>	AS 0040D	¼"	0.25	0.62	0.98	25	10
<input type="checkbox"/>	AS 0060DN	⅜"	0.37	0.82	1.13	25	11
<input type="checkbox"/>	AS 0080DN	½"	0.50	0.94	1.34	25	13
<input type="checkbox"/>	AS 009P	(¼" Pipe)	0.54	0.98	1.34	25	13
<input type="checkbox"/>	AS 0100DN	⅝"	0.62	1.06	1.54	25	14
<input type="checkbox"/>	AS 011P	(⅜" Pipe)	0.67	1.13	1.54	25	14
<input type="checkbox"/>	AS 0120DN	¾"	0.75	1.20	1.68	25	14
<input type="checkbox"/>	AS 014P	(½" Pipe)	0.84	1.29	1.82	25	15
<input type="checkbox"/>	AS 0140DN	⅞"	0.87	1.31	1.82	25	15
<input type="checkbox"/>	AS 0160D	1"	1.00	1.44	1.95	25	17
<input type="checkbox"/>	AS 017P	(¾" Pipe)	1.05	1.50	2.08	20	17
<input type="checkbox"/>	AS 0180DN	1⅛"	1.12	1.57	2.08	20	18
<input type="checkbox"/>	AS 0200D	1¼"	1.25	1.70	2.21	20	18
<input type="checkbox"/>	AS 021P	(1" Pipe)	1.31	1.76	2.34	20	19
<input type="checkbox"/>	AS 0220DN	1⅝"	1.37	1.82	2.34	20	20
<input type="checkbox"/>	AS 0240D	1½"	1.50	1.95	2.47	20	33
<input type="checkbox"/>	AS 0260DN	1⅝"	1.62	2.07	2.60	20	35
<input type="checkbox"/>	AS 027P	(1¼" Pipe)	1.66	2.17	2.73	20	35
<input type="checkbox"/>	AS 0280D	1¾"	1.75	2.20	2.73	20	37
<input type="checkbox"/>	AS 0300DP	(1½" Pipe)	1.90	2.35	2.86	20	39
<input type="checkbox"/>	AS 0320D	2"	2.00	2.45	3.04	10	41
<input type="checkbox"/>	AS 0340D	2½"	2.12	2.57	3.23	10	46
<input type="checkbox"/>	AS 0380DP	(2" Pipe)	2.37	2.82	3.67	10	47
<input type="checkbox"/>	AS 0400D	2½"	2.50	2.94	3.79	10	49
<input type="checkbox"/>	AS 0420D	2⅝"	2.62	3.07	3.92	5	51
<input type="checkbox"/>	AS 0460DP	(2½" Pipe)	2.87	3.32	4.17	5	55
<input type="checkbox"/>	AS 0480D	3"	3.00	3.57	4.42	5	57
<input type="checkbox"/>	AS 0500D	3⅛"	3.12	3.57	4.42	5	60
<input type="checkbox"/>	AS 0560DP	(3" Pipe)	3.50	3.95	4.79	5	55
<input type="checkbox"/>	AS 0580D	3⅝"	3.62	4.20	5.11	5	70
<input type="checkbox"/>	AS 0640DP	(3½" Pipe)	4.00	4.45	5.42	5	88
<input type="checkbox"/>	AS 0660D	4⅞"	4.12	4.57	5.54	5	94
<input type="checkbox"/>	AS 0720DP	(4" Pipe)	4.50	4.95	5.92	5	110
<input type="checkbox"/>	AS 0820D	5⅞"	5.12	5.57	6.54	5	125
<input type="checkbox"/>	AS 089P	(5" Pipe)	5.56	6.01	6.92	5	130
<input type="checkbox"/>	AS 0980D	6⅞"	6.12	6.57	7.54	5	130
<input type="checkbox"/>	AS 106P	(6" Pipe)	6.62	7.07	8.23	5	140

**LEGEND:**

GR: Powder Coated Supr-Green EG: Electro-Galvanized AL: Aluminum HG: Hot Dipped Galvanized PL: Plain SS: Stainless Steel ZTC: Zinc Trivalent Chromium

PROJECT INFORMATION		APPROVAL STAMP	
Project:		<input type="checkbox"/> Approved	
Address:		<input type="checkbox"/> Approved as noted	
Contractor:		<input type="checkbox"/> Not approved	
Engineer:		Remarks:	
Submittal Date:			
Notes 1:			
Notes 2:			