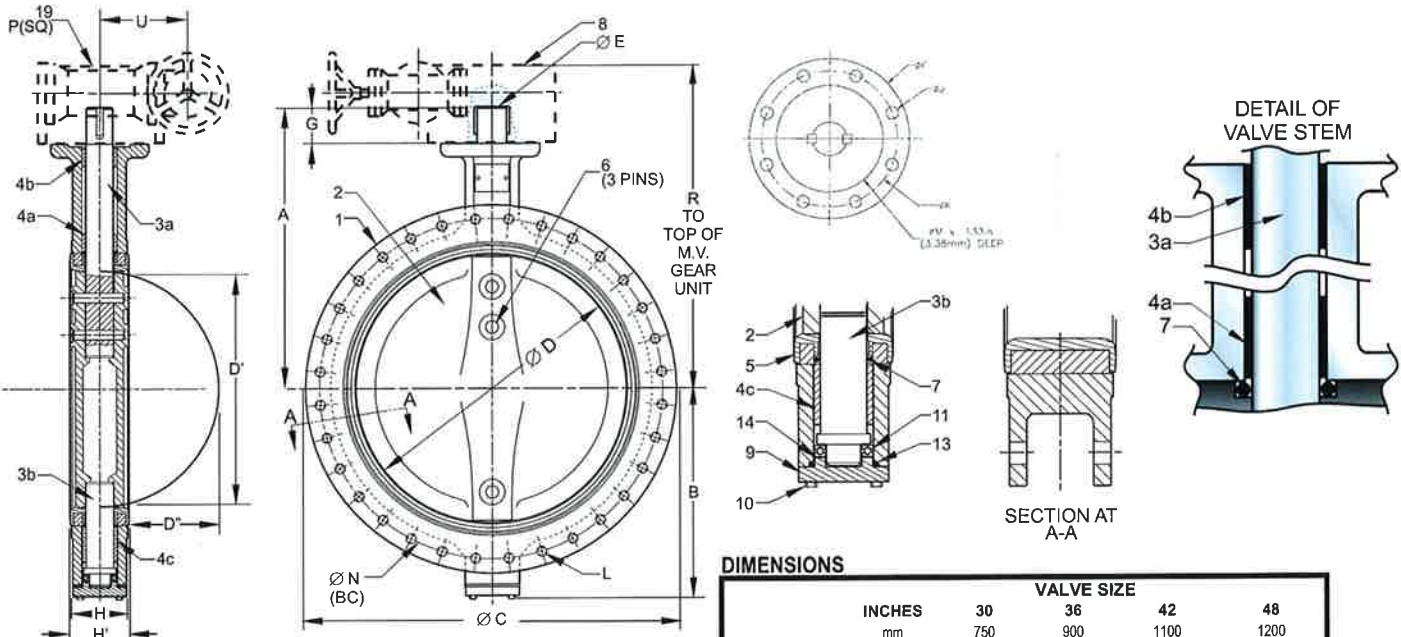


BUTTERFLY VALVE

30" - 48" 150 PSI (1035 kPa)

ML SERIES*

Specifications: API-609
MSS SP-67



COMPONENTS/MATERIAL LIST

ITEM	PARTS NAME	MATERIAL
1	BODY	CAST IRON ASTM A126 CL.B
		DUCTILE IRON ASTMA536
		ALUMINUM BRONZE-ASTM B148 **
2	DISC	C95400
		NP DUCTILE IRON-ASTMA536
3a	STEM, upper	STAINLESS STEEL ASIM A351 CF8M
		STAINLESS STEEL TYPE 416 (2)
3b	STEM, lower	STAINLESS STEEL TYPE 416 (2)
4a	UPPER STEM BEARING, short	CAST BRASS
4b	BEARING, short	CAST BRASS
4c	LOWER STEM BEARING	CAST BRASS
5	LINER	BUNA
		EPDM
6	STEM PIN	VITON
		STAINLESS STEEL TYPE 302
7	LINER O-RING	BUNA
		GEAR OPERATOR
8	OPERATOR	ACTUATOR AIR/AIR (1)
		ACTUATOR AIR/SPRING (1)
		ACTUATOR ELECTRIC (1)
9	BOTTOM CAP	ASTM-1-126 CLB
10	BOTTOM CAP FASTENING BOLTS	STEEL
		STEEL
11	THRUST BEARING	AISI - 1020
12	KEY	STEEL
13	BOTTOM CAP O-RING	BUNA
14	THRUST BEARING GASKET	ASTMA570 Gr. 33
		ASTMA570 Gr. 33

- (1)- Consult Automation Department.
- (2)- CF8M Disc Carries 316 Stem.

***Note:** The wetted surface of this product (In any material combination.) contacted by consumable water contains less than one quarter of one percent (.25%) of lead by weight.

****Recommend Aluminum Bronze Disc in Water Service.**

DIMENSIONS

	INCHES	VALVE SIZE			
		30	36	42	48
A	INCHES	29.37	33.00	39.69	42.94
	mm	746.0	838.0	1008.0	1090.7
B	INCHES	22.05	25.83	30.60	34.02
	mm	560.1	656.1	777.2	864.1
C	INCHES	36.00	45.98	49.50	56.00
	mm	914.4	1168	1257.3	1422.4
D	INCHES	29.29	34.04	40.55	45.67
	mm	744.0	864.7	1030.0	1160.0
D'	INCHES	28.56	33.10	39.33	44.35
Chord Dia.	mm	725.5	840.5	999.0	1126.6
D"	INCHES	11.3	13.0	15.2	17.1
Intrusion	mm	287.0	330.2	386.1	434.3
ØE	INCHES	2.49	2.95	3.74	4.13
	mm	63.4	75.0	95.0	105.0
ØF	INCHES	11.81	11.81	11.81	13.76
Mig. Flange	mm	300.0	300.0	300.0	350.0
G	INCHES	3.00	4.50	6.00	6.00
	mm	76.2	114.3	152.4	152.4
H (Body width)	INCHES	6.57	8.00	9.88	10.88
	mm	167.0	203.0	251.0	276.4
H'	INCHES	6.81	8.31	10.27	11.26
Liner Width	mm	173.0	211.1	261.0	286.0
J	INCHES		0.708		0.866
	mm		18.0		22.0
ØK	INCHES		10.00		11.73
B.C.	mm		254.0		298.0
L	No. of Holes (per Flange)	28	32	36	44
		Thread	1.25-7 UNC-2B	1.50-6 UNC-2B	
	Bolt Size	1.25-7x5"	1.5-6x6.25"		
ØM	INCHES		7.87		9.06
	mm		199.9		230.1
ØN	INCHES	36.00	42.75	49.50	56.00
B.C.	mm	914.4	1085.9	1257.3	1422.4
P	INCHES	0.709	0.787	0.984	1.122
Square Key Size	mm	18.0	20.0	25.0	28.0
R	INCHES	32.40	38.50	43.90	49.20
	mm	823.0	977.9	1115.1	1249.7
U	INCHES	9.57	10.94	10.94	18.03
	mm	243.0	278.0	278.0	458.0

Rev. 12

The information presented on this sheet is correct at the time of publication. Milwaukee Valve reserves the right to change design, and/or material specifications without notice. For the Installation, Operation and Maintenance Manual (IOM) see the engineering section on our website. For the most current information access www.milwaukeevalve.com



M L 2 3 4 V A

VALVE SERIES	BODY STYLE	OPERATOR	BODY MATERIAL	DISC MATERIAL	LINER MATERIAL	SPECIAL OPTIONS
C - C SERIES	1 - LUG BODY	1 - VALVE ONLY	2 - CAST IRON*	2 - NICKEL PLATED DUCTILE IRON	B - BUNA-N	S - 316 STEM W/AB OR NP DISC
H - H SERIES (250 psi)	2 - WAFER BODY	2 - LEVER HANDLE	3 - DUCTILE IRON	3 - ALUMINUM/BRONZE	E - EPDM	A - EPOXY COATED BODY
M - M SERIES		3 - GEAR OPERATOR		4 - CF8M(316) STAINLESS STEEL	H - HYPALON	AD - ASSEMBLE DRY
O - O SERIES		5 - GEAR W/MEMORY STOP	* MILWAUKEE VALVE RESERVES THE RIGHT TO UPGRADE TO DI BODY WITHOUT NOTICE FOR NO ADDITIONAL COST.	7 - NYLON COATED DUCTILE IRON	NB - FDA BLACK NEOPRENE	LF - LOW FRICTION (Consult Factory)
U - U SERIES (50 psi)		9 - GEAR W/LOCKOUT		8 - EPOXY COATED DUCTILE IRON	NW - FDA WHITE NEOPRENE	
		N - BURIED SERVICE GEAR OPERATION W/2" SQUARE NUT			T - TEFLON (BUNA SUBSTITUTE) (AVAILABLE W/SS DISC AND STEM ONLY)	
					V - VITON	

C-SERIES IS AVAILABLE ONLY IN CAST IRON WAFER OR LUG BODY WITH ALBRZ DISC, EODM LINER, LEVER OR GEAR OPERATOR.