

Submittal Package

viiega

Viega MegaPress® Fittings

Viega MegaPress is a carbon steel, cold press system designed for use in chilled water, hydronic heating, compressed air and fire sprinkler applications.

Viega MegaPress fittings are designed for use in piping systems utilizing ASTM A53, A106, A135 and A795 schedule 5 – schedule 40 black steel pipe.

Operating Temperatures:

Viega MegaPress: 0 to 250°F

Operating Pressures:

Viega MegaPress: 200 psi max

Listings and Certifications

Viega MegaPress:

- UL 213
- FM Class 1920
- IAPMO PS117
- ICC LC1002
- DNV
- CRN #OA14541.6
- ABS
- GL
- LR
- CAL Fire

Compliant with:

- Uniform Plumbing Code
- Uniform Mechanical Code
- International Plumbing Code
- International Mechanical Code
- ASME B31
- NFPA 13, 13D and 13R, 31, 54 and 58

Viega MegaPress fittings are available in the following fitting configurations in size ½" to 2":

- P x P coupling
- P x P no-stop coupling
- P x Cap
- P x Flange
- P x FPT adapter
- P x FPT reducing adapter
- FTG x P reducer
- P x P reducer
- P x MPT adapter
- P x P 90° elbow
- P x P 45° elbow
- FTG x P 90° elbow
- FTG x P 45° elbow
- P x P x P tee
- P x P x P reducing tee
- P x P x FPT tee
- P x P union
- P x FPT union

Viega MegaPress fittings are provided with a factory-installed EPDM sealing element, a 304 stainless steel separator ring and a 420 stainless steel grip ring approved for use in hydronic heating, compressed air, fire sprinkler and cooling water applications.

All Viega MegaPress fittings are constructed with the patented Smart Connect feature. The Smart Connect feature is a quick and easy way for installers to identify connections that need to



be pressed. Testing for leaks using the Smart Connect feature is not a replacement for testing to the requirements of local codes or standards.

Viega MegaPress systems are approved for underground use and must be protected against corrosion in accordance with NFPA 54 section 404.8, NACE Standard RP0169-2002 section 5, 2009 UPC Chapter 6 section 609.3.1, 2009 UMC Chapter 13 section 1312.1.3 and in a manner satisfactory to the local code official.

Recommended Tools:

- RIDGID RP 330-B
- RIDGID RP 330-C
- RIDGID RP 340-B
- RIDGID CT-400

Contact a local Viega representative for applications other than those listed on this document.

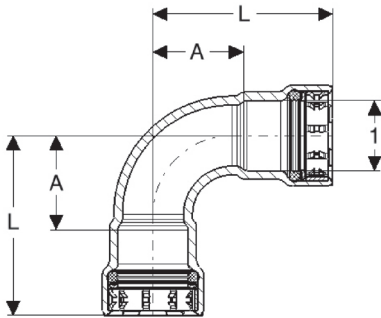
| MegaPress | | |
|-------------------------|-------------------|-------------------------|
| Application | Temperature | Pressure (Max) |
| Hydronics | (-4°) F to 250° F | 200 psi |
| Low Pressure Steam | 248° F Max | 15 psi |
| Industrial Gases | 140° F Max | 200 psi |
| Compressed Air (no oil) | 140° Max | 200 psi |
| Fire Sprinkler | Ambient | 200 psi |
| Vacuum | 140° Max | Max 29.2 in. of Mercury |

Submittal Package

viega

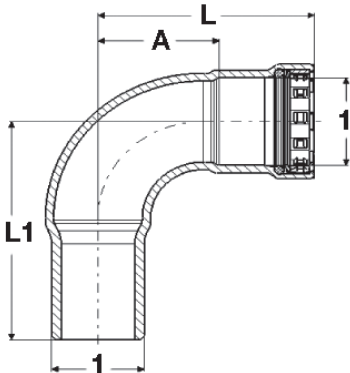
Dimensional Documentation

MegaPress 90° Elbow, Carbon Steel, P x P - Models 4816 / 6616



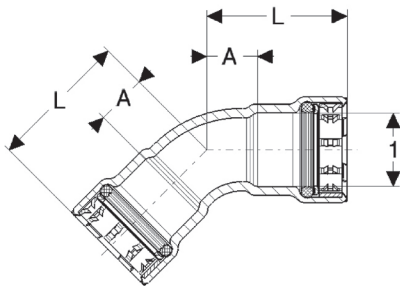
| Part No. | | Size | A (in) | L (in) |
|-----------|------------|--------|--------|--------|
| MegaPress | MegaPressG | 1 | | |
| 25200 | 25201 | 1/2" | 1.17 | 2.24 |
| 25205 | 25206 | 3/4" | 1.36 | 2.52 |
| 25210 | 25211 | 1" | 1.72 | 3.07 |
| 25215 | 25216 | 1 1/4" | 2.00 | 3.82 |
| 25220 | 25221 | 1 1/2" | 2.26 | 4.13 |
| 25225 | 25226 | 2" | 2.80 | 4.76 |

MegaPress 90° Elbow, Carbon Steel, FTG x P - Models 4816.1 / 6616.1



| Part No. | | Size | A (in) | L (in) | L1 (in) |
|-----------|------------|--------|--------|--------|---------|
| MegaPress | MegaPressG | 1 | | | |
| 26050 | 26051 | 1/2" | 1.17 | 2.24 | 2.56 |
| 26055 | 26056 | 3/4" | 1.36 | 2.52 | 2.80 |
| 26060 | 26061 | 1" | 1.72 | 3.07 | 3.39 |
| 26065 | 26066 | 1 1/4" | 2.00 | 3.82 | 4.04 |
| 26070 | 26071 | 1 1/2" | 2.26 | 4.13 | 4.21 |
| 26075 | 26076 | 2" | 2.80 | 4.76 | 5.08 |

MegaPress 45° Elbow, Carbon Steel, P x P - Models 4826 / 6626



| Part No. | | Size | A (in) | L (in) |
|-----------|------------|--------|--------|--------|
| MegaPress | MegaPressG | 1 | | |
| 25230 | 25231 | 1/2" | 0.60 | 1.67 |
| 25235 | 25236 | 3/4" | 0.71 | 1.87 |
| 25240 | 25241 | 1" | 0.86 | 2.20 |
| 25245 | 25246 | 1 1/4" | 0.98 | 2.80 |
| 25250 | 25251 | 1 1/2" | 1.12 | 2.99 |
| 25255 | 25256 | 2" | 1.32 | 3.29 |