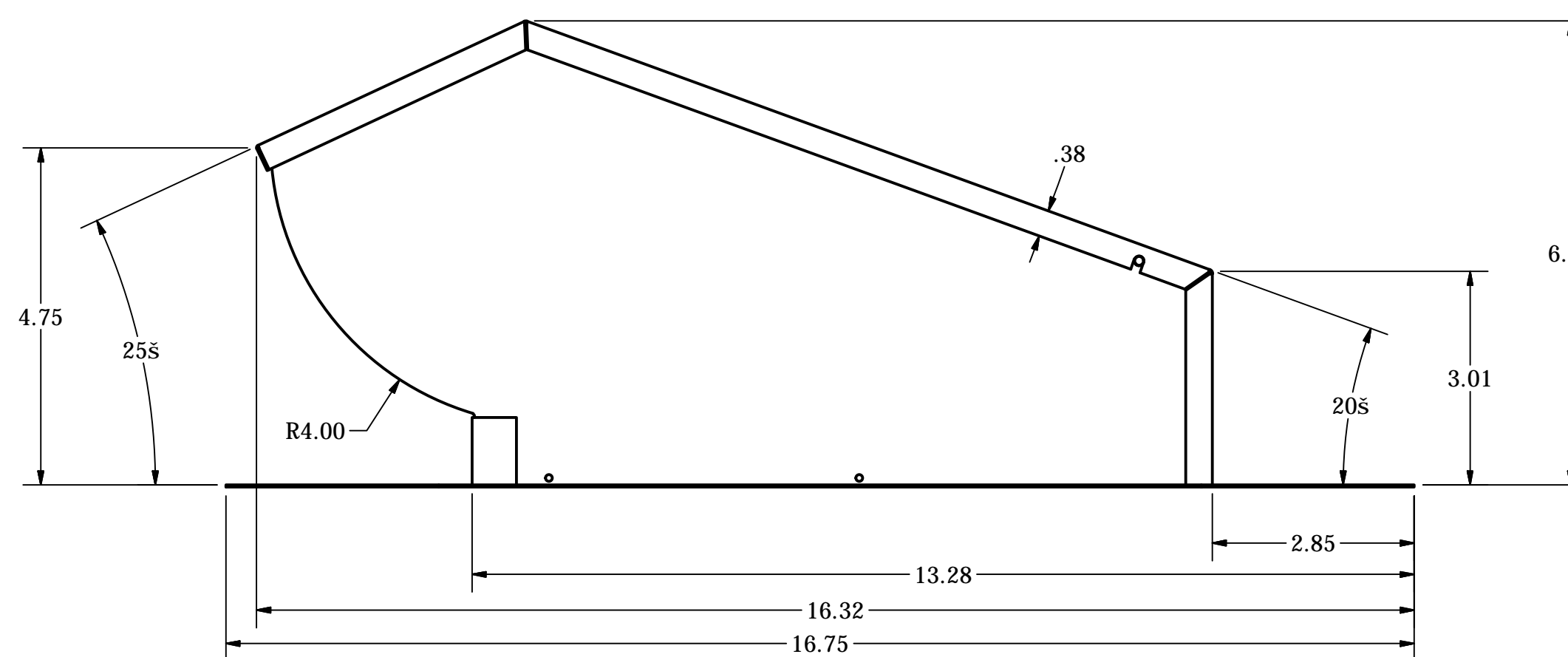
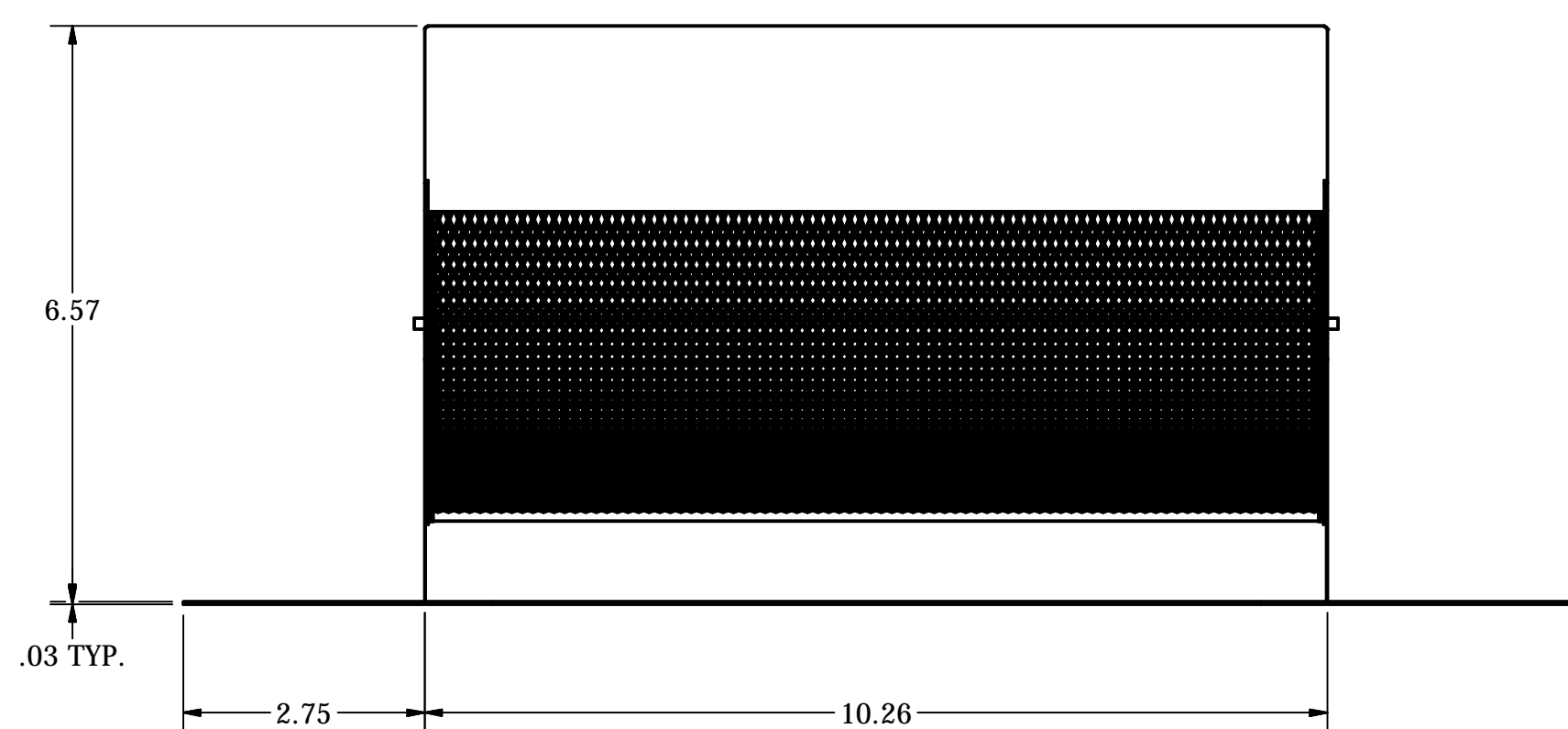
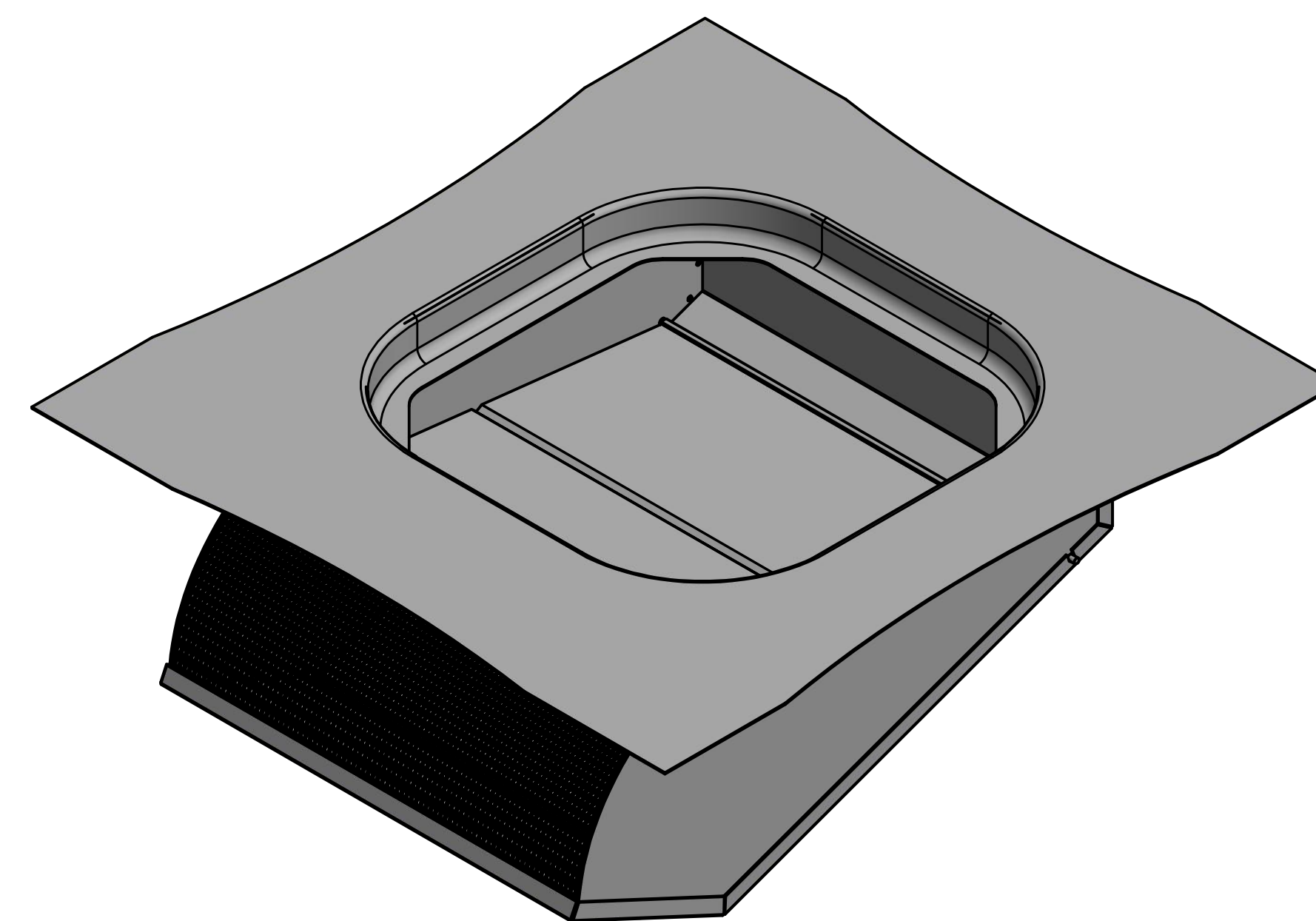
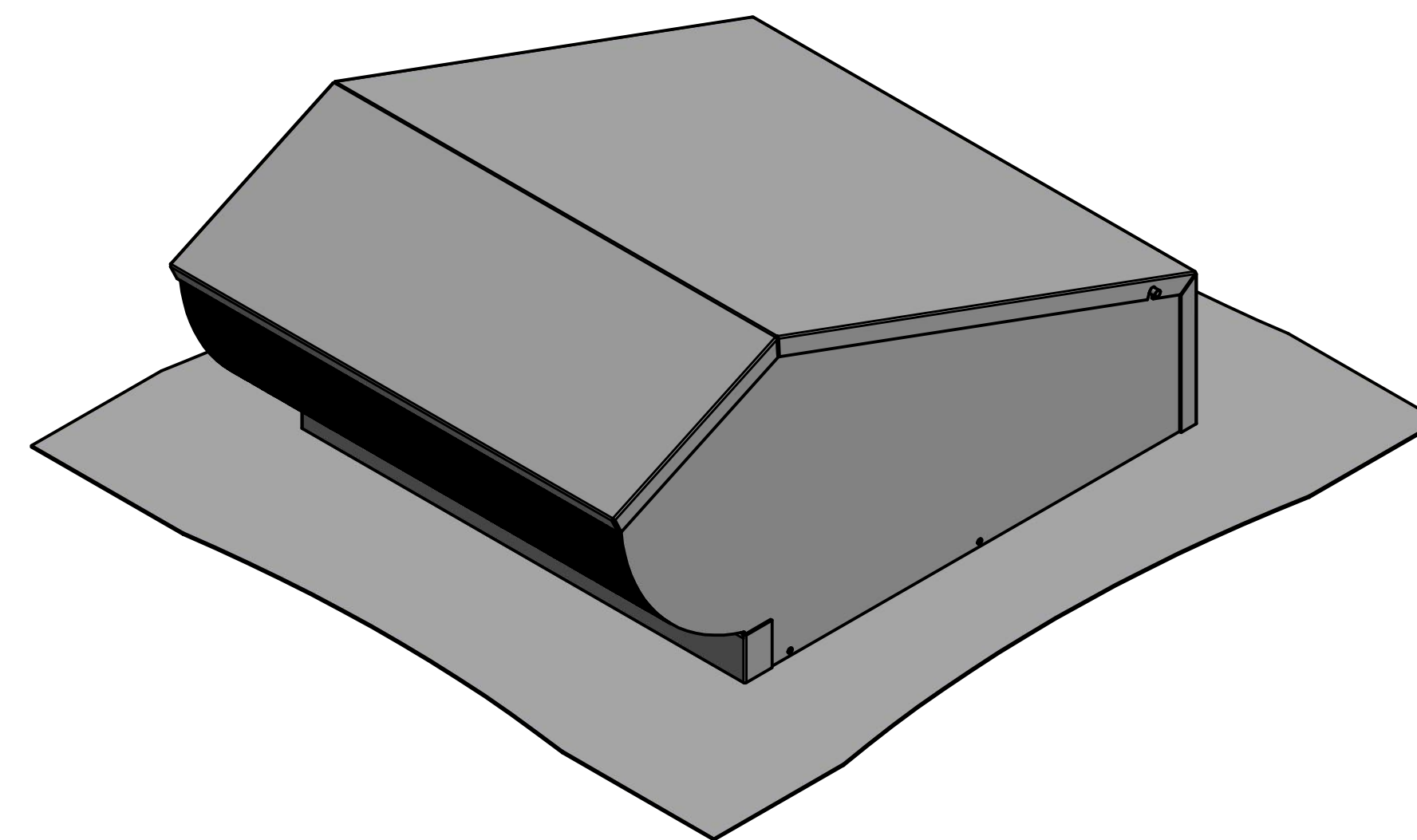
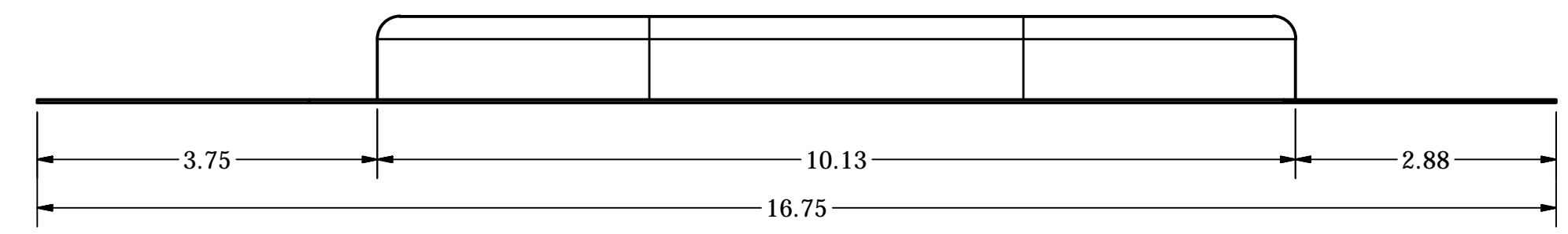
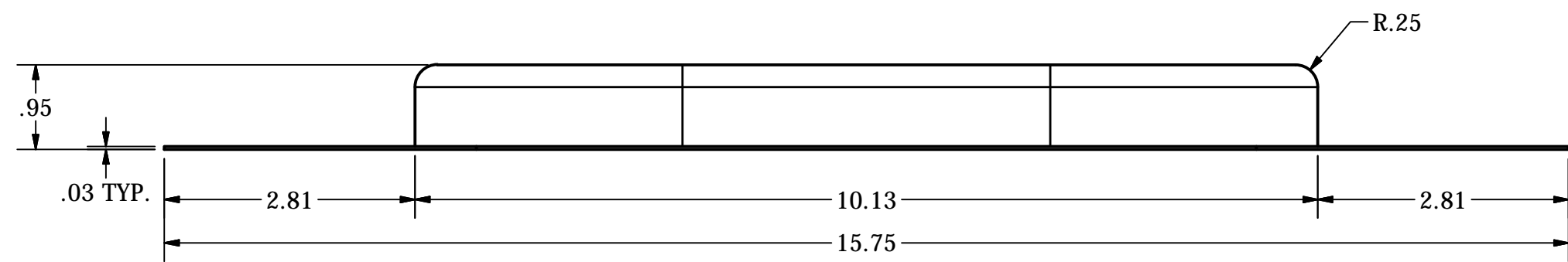
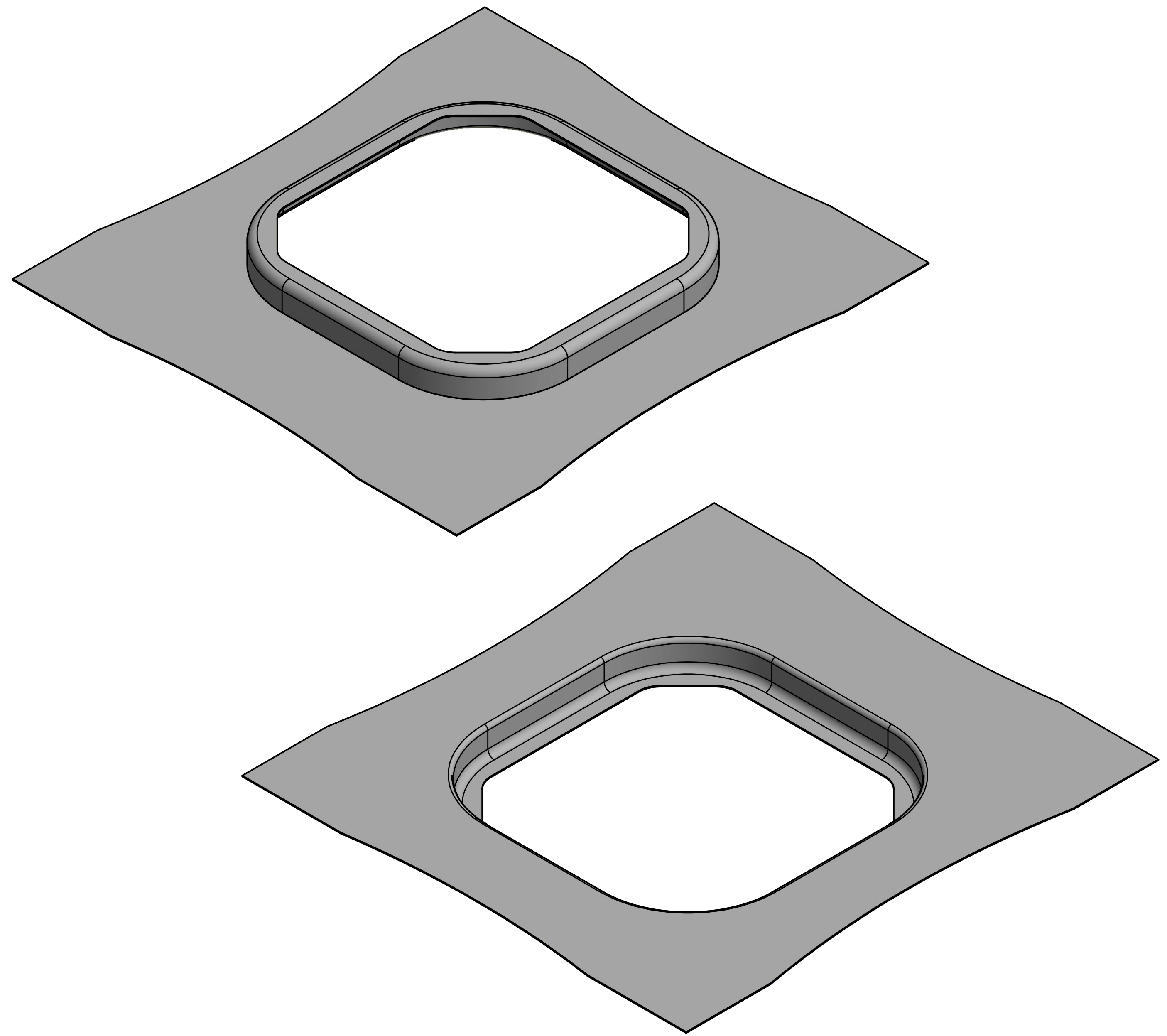
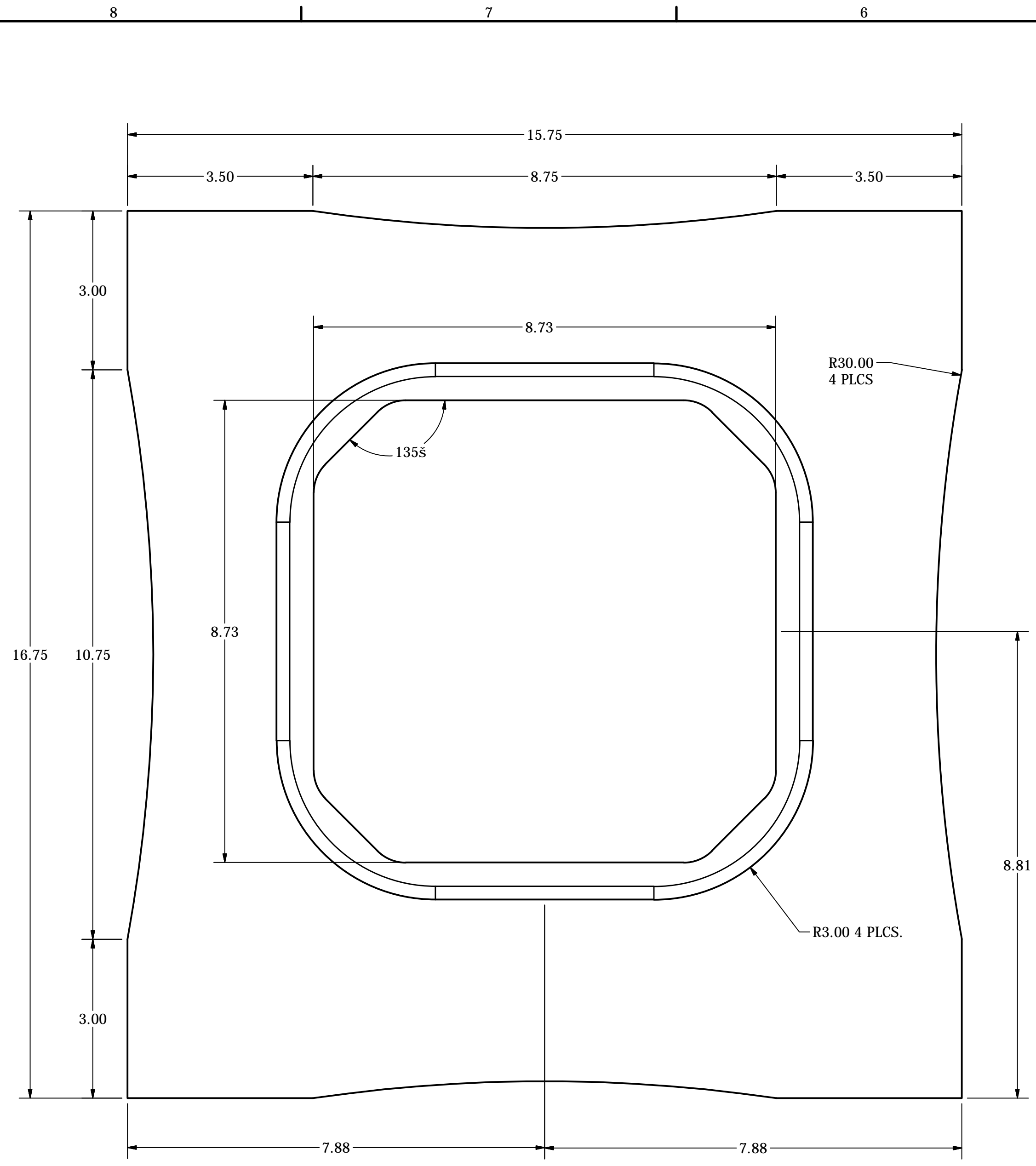


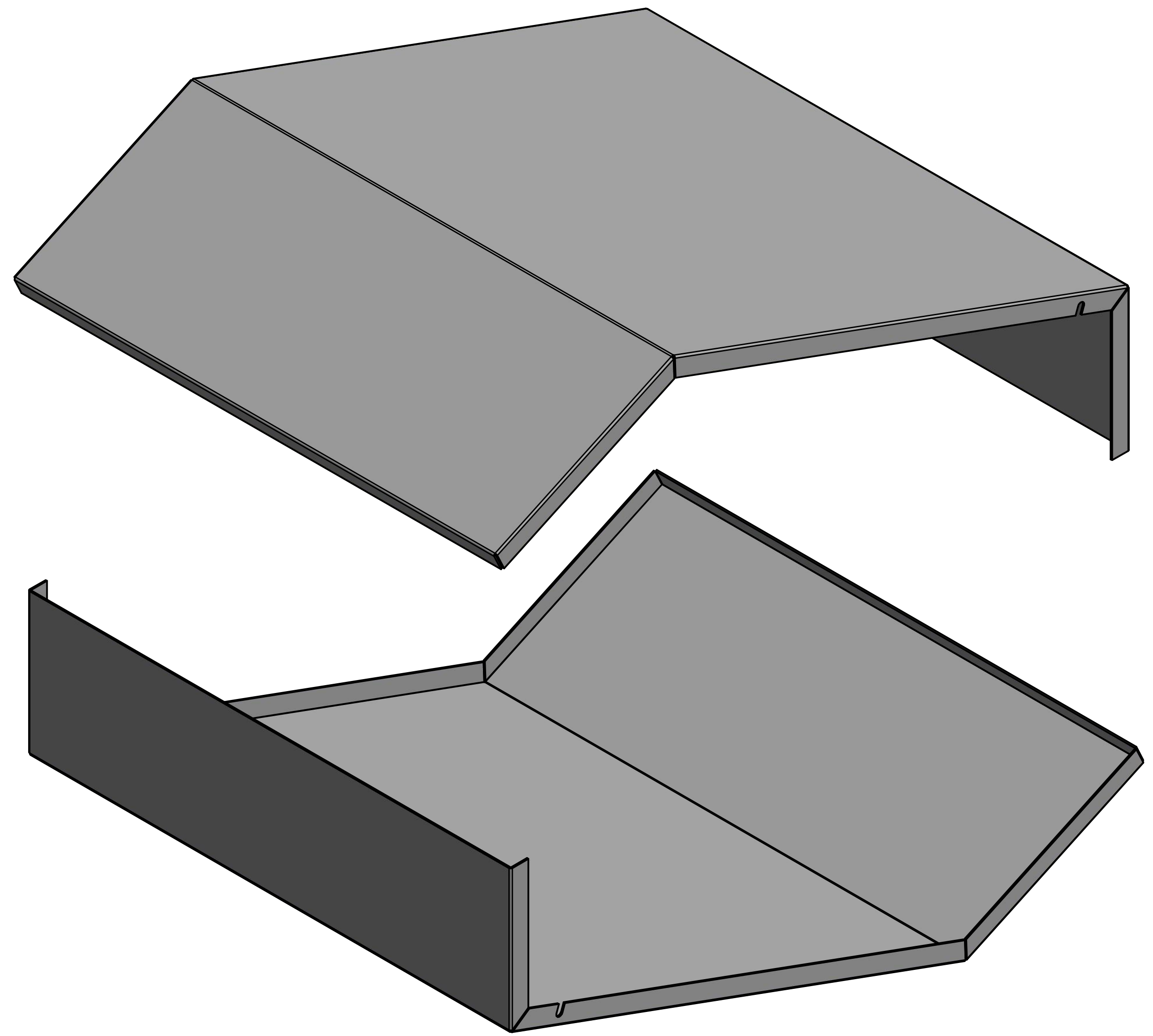
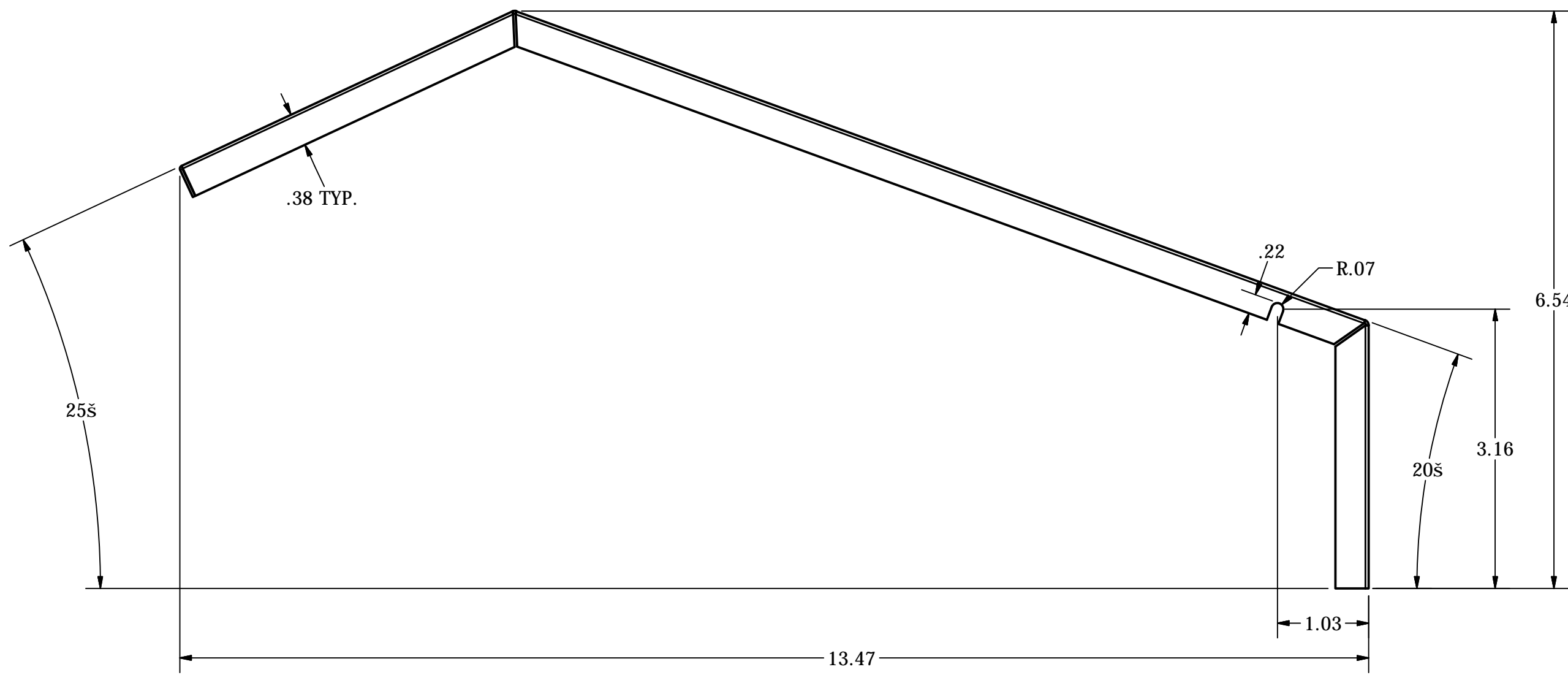
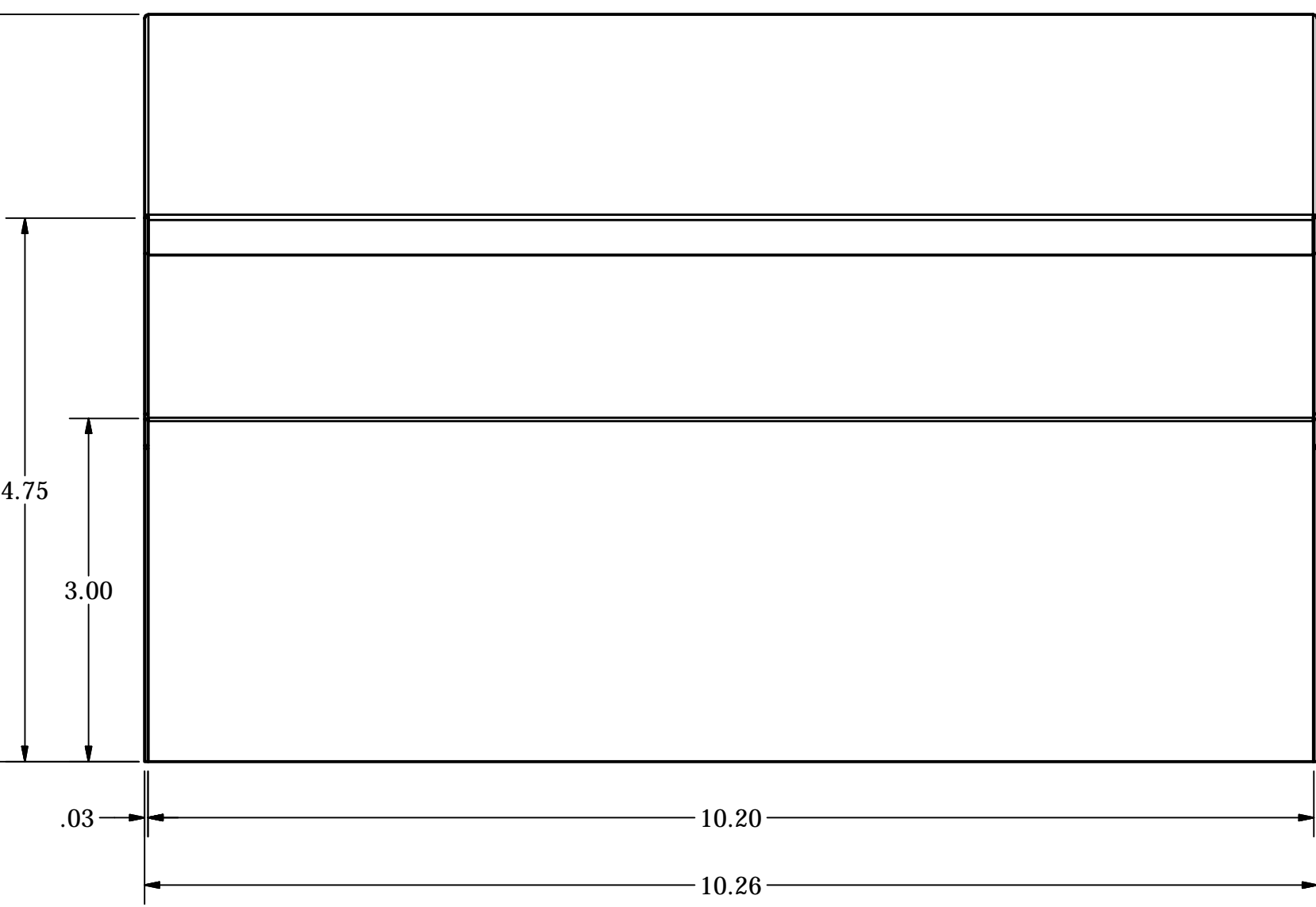
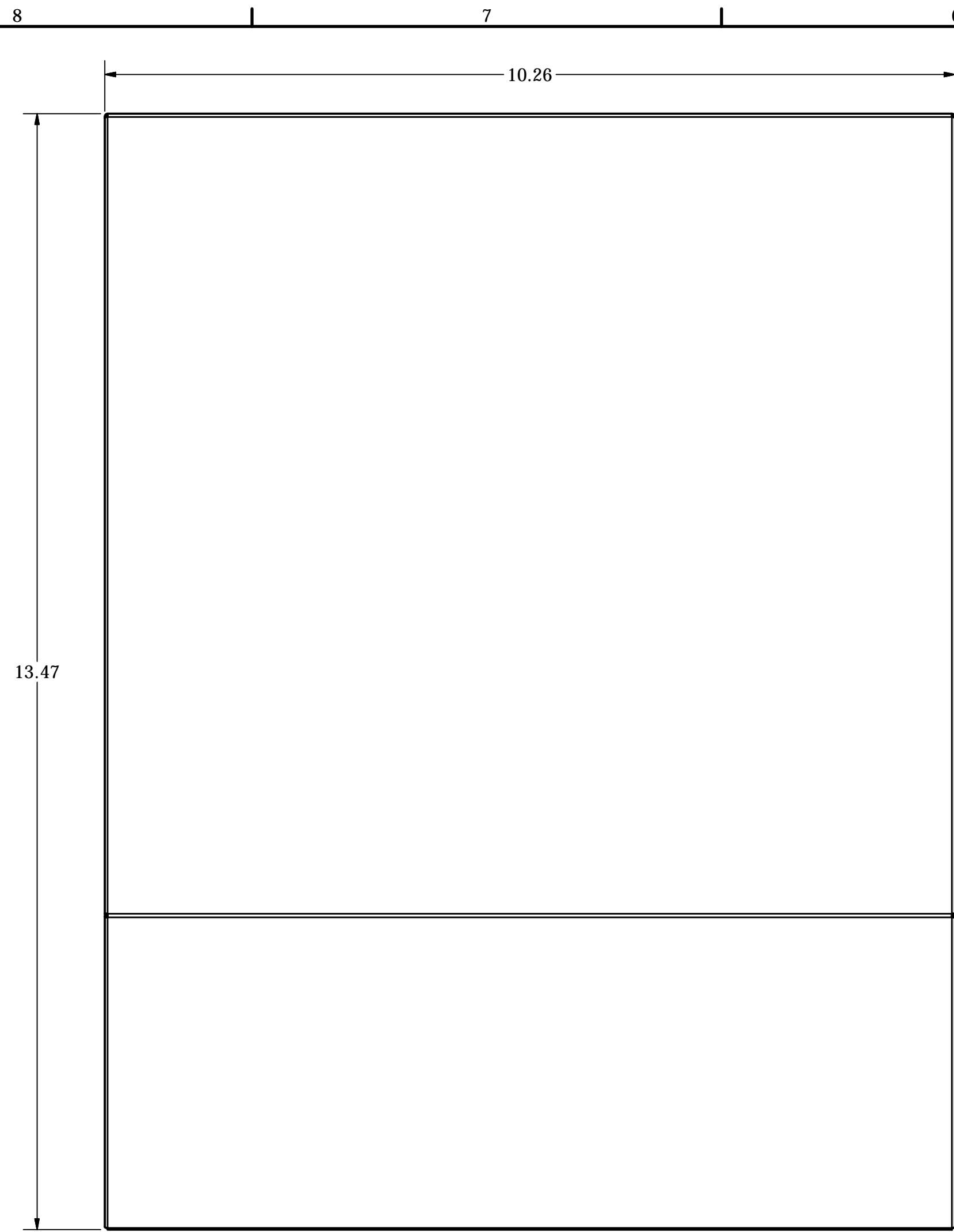
SECTION A-A



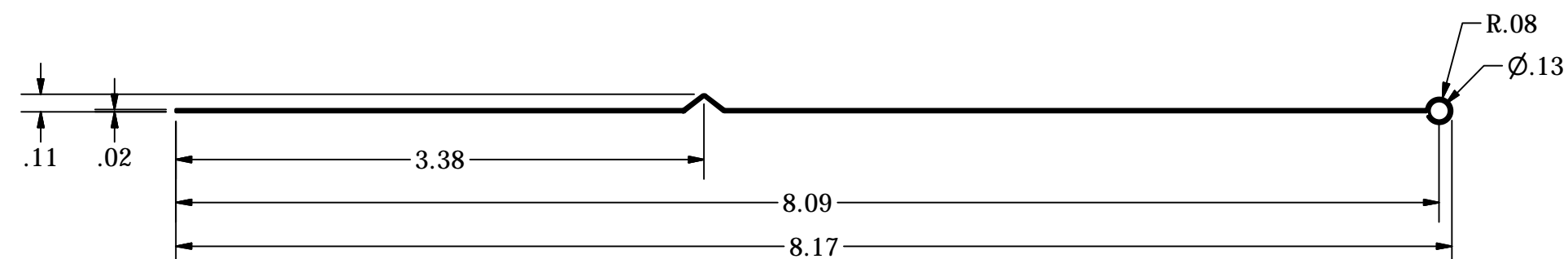
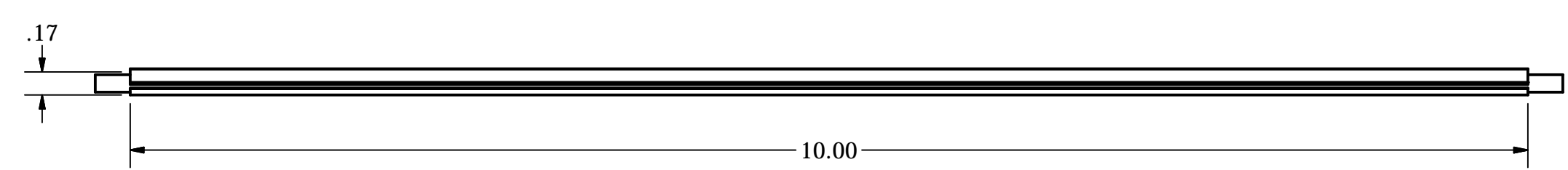
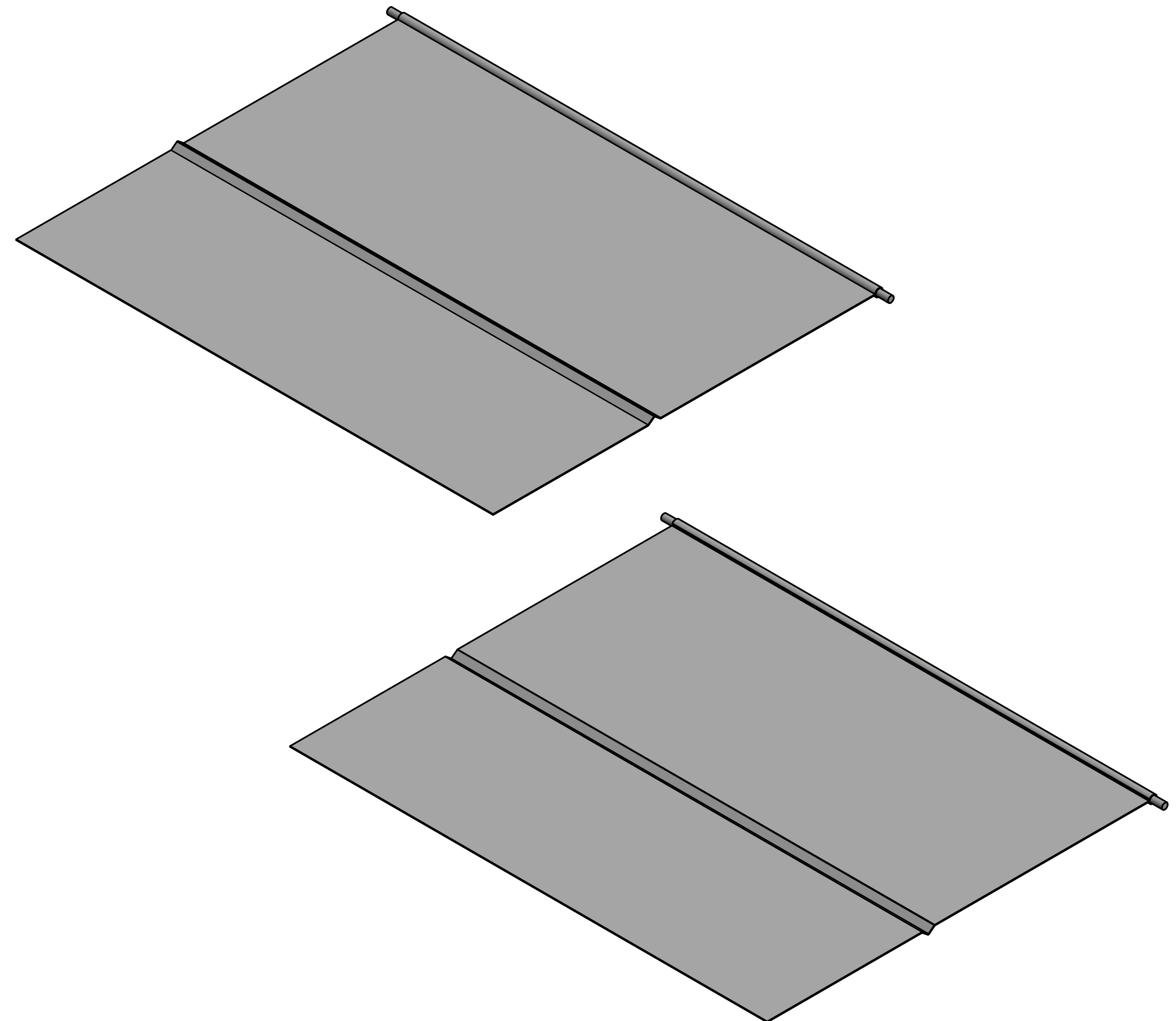
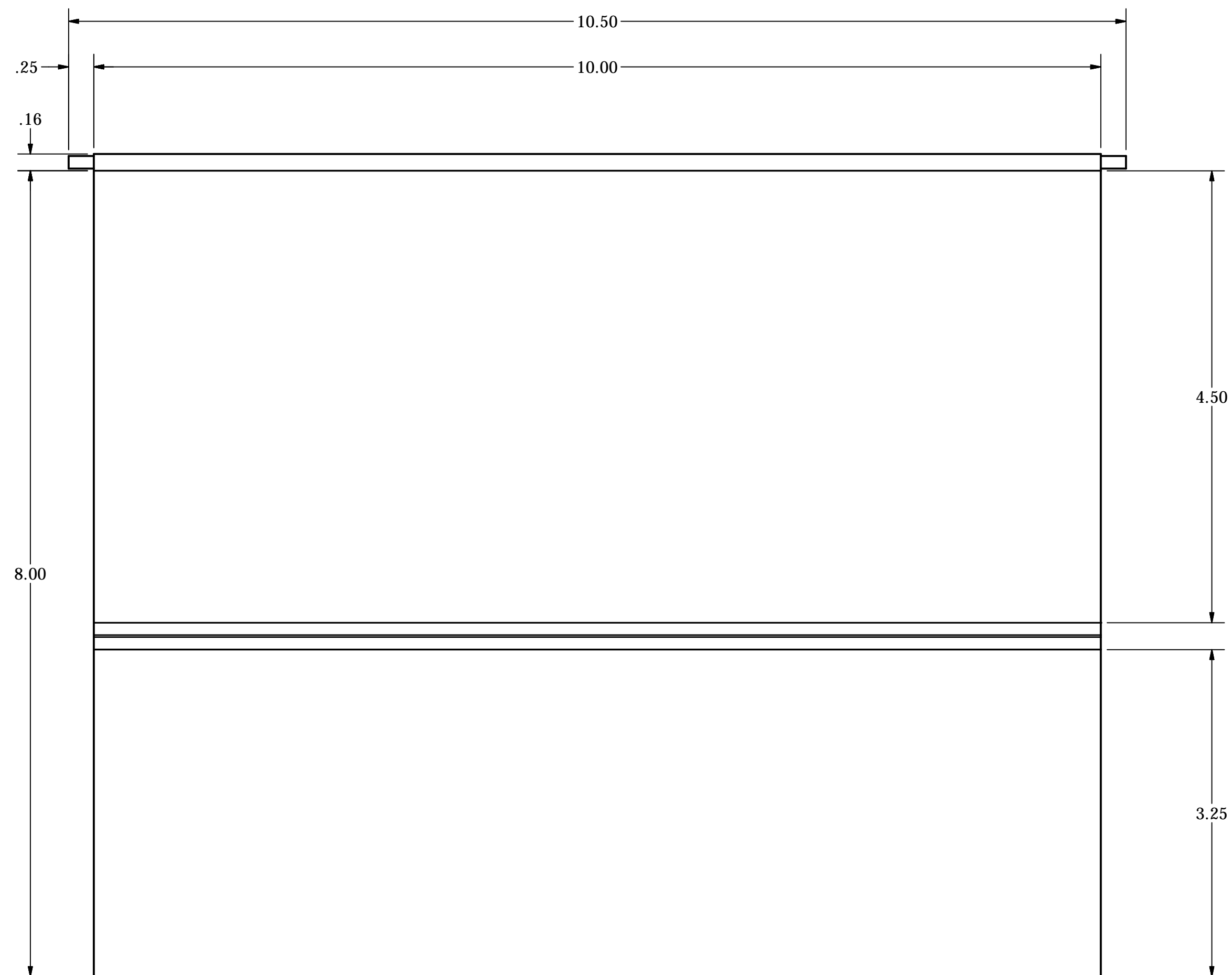
DRAWN	JOSEPH VALENTI	8/17/2014	LAMBRO INDUSTRIES, INC.		
CHECKED			TITLE		
QA			LARGE VENT ASSEMBLY		
MFG					
APPROVED					
			SIZE	DWG NO	REV
			D	LARGE VENT ASSEMBLY	
			SCALE	SHEET 1 OF 1	



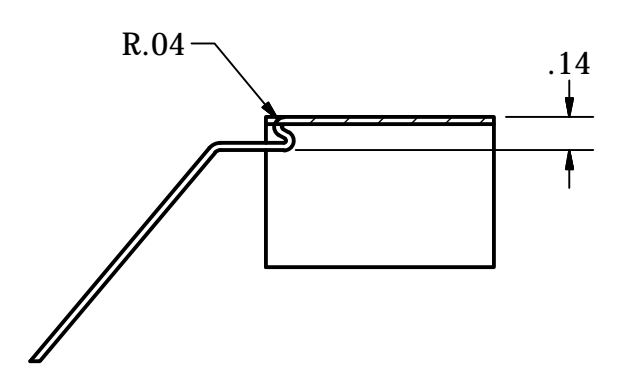
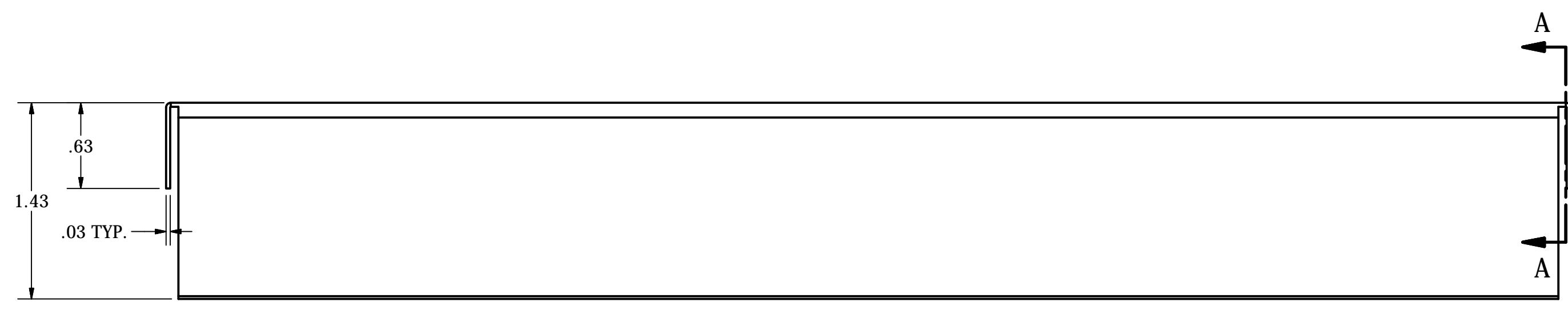
DRAWN	JOSEPH VALENTI	8/17/2014	LAMBRO INDUSTRIES, INC.		
CHECKED			TITLE		
QA			LG BASE		
MFG			LG BASE		
APPROVED			SIZE	DWG NO	REV
			D	LG BASE	
			SCALE		SHEET 1 OF 1



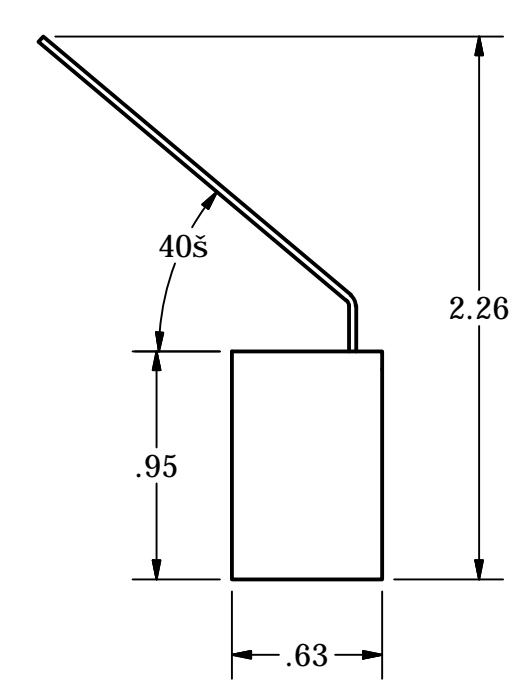
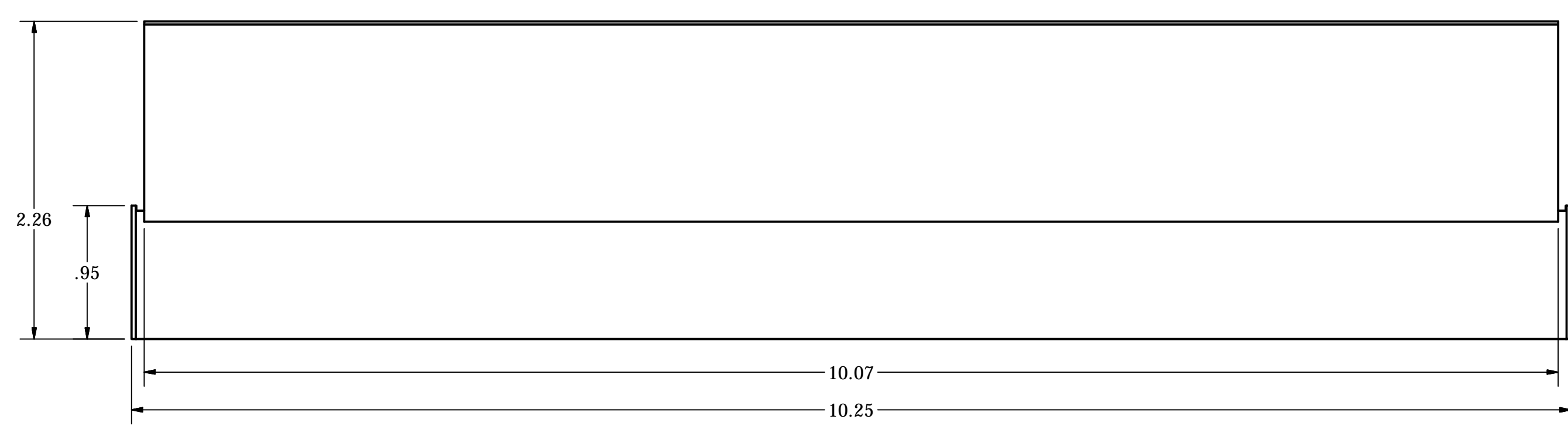
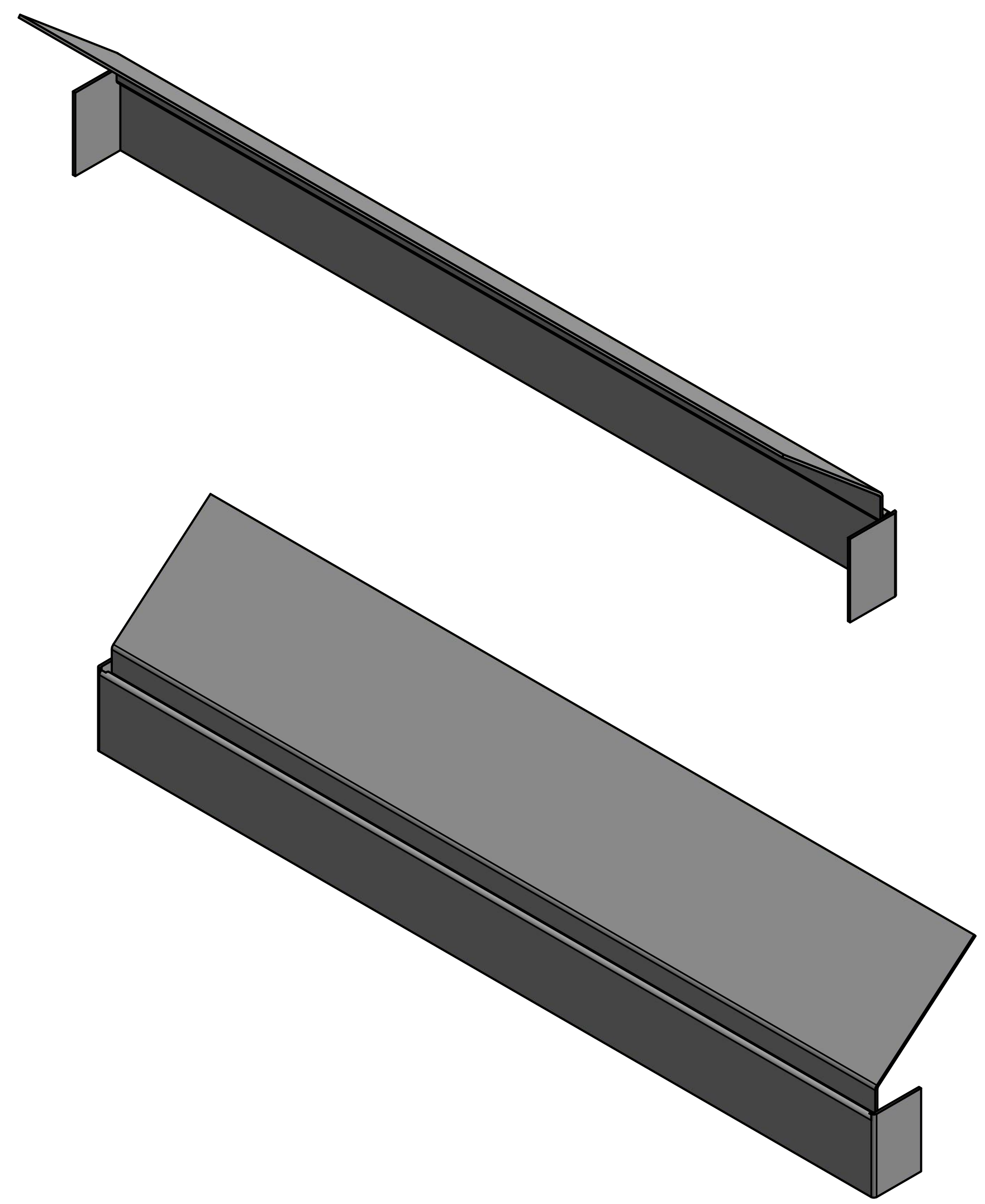
DRAWN	JOSEPH VALENTI	8/12/2014	LAMBRO INDUSTRIES, INC.		
CHECKED			TITLE		
QA			LG COVER		
MFG			SIZE	DWG NO	REV
APPROVED			D	COVER	
			SCALE		SHEET 1 OF 1



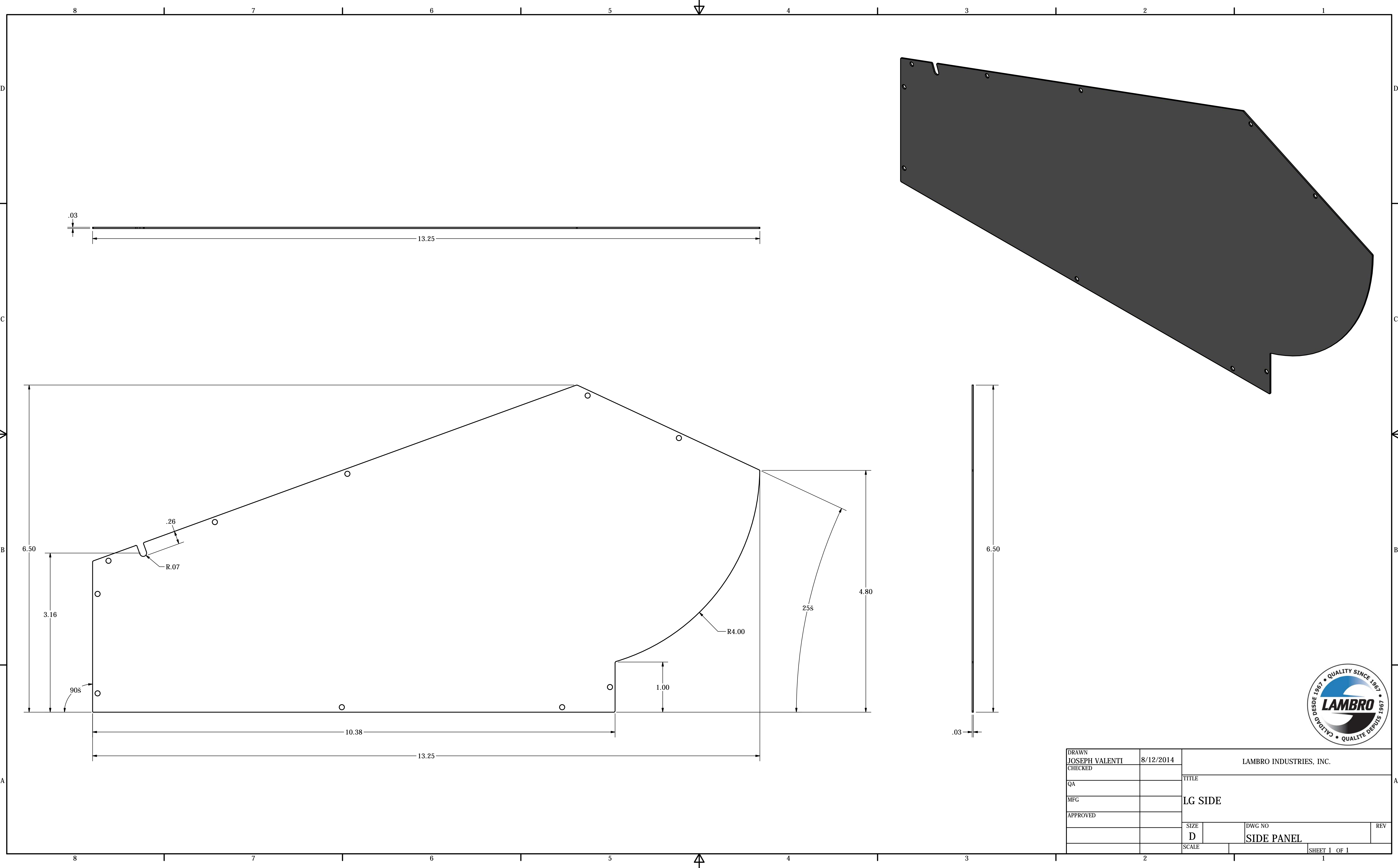
DRAWN	JOSEPH VALENTI	8/12/2014	LAMBRO INDUSTRIES, INC.		
CHECKED			TITLE		
QA			LG EXHAUST FLAP		
MFG			SIZE	DWG NO	REV
APPROVED			D	EXHAUST FLAP	
			SCALE		SHEET 1 OF 1



SECTION A-A



DRAWN	JOSEPH VALENTI	8/12/2014	LAMBRO INDUSTRIES, INC.		
CHECKED			TITLE		
QA			LG FRONT GUARD		
MFG					
APPROVED					
			SIZE	DWG NO	REV
			D	FRONT GUARD	
			SCALE	SHEET 1 OF 1	



DRAWN	JOSEPH VALENTI	8/12/2014	LAMBRO INDUSTRIES, INC.		
CHECKED			TITLE		
QA			LG SIDE		
MFG			DWG NO		
APPROVED			SIZE	D	REV
			SCALE		SHEET 1 OF 1